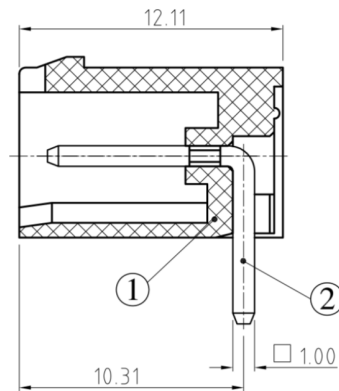
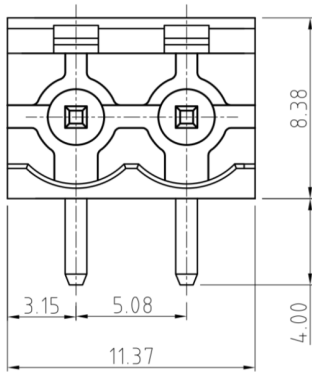


specification

1. Rated voltage and current: 300V 12A(CE)
2. Insulation Strength: AC2000V/MIN
3. Insulation Resistance: 500MΩ or more at DC500V
4. Operating Temperature: -40 /+105
5. Storage condition: Under 85% humidity at normal temperature, shelf life: 1 year.

Materials and dimensions



#Use of recycled material 30%

NO.	Designation	Materials	Specification
1	HOUSING	PA66(UL94V-0)	YELLOW
2	PIN	BRASS	EP-Cu/Cu1-2 Sn2-4um

Type selection

**Insertion-withdrawal type(Receptacle)**

Serial code	Sequence code	feature code	Identifivne code
Z	B	F	4
0	0	0	R
0	2	P	G

Colour code: G - green The subdivision codes for standard colours may be omitted  
 Qty of cables (XXP)  
 R: Inline direction and pin level  
 serial number serial number for specification classification  
 Spacing code, 4-5.08mm  
 2B-company code K-Plug-in type (Plug)

**Packaging:**  
**Package size:** 20.0×19.0 (cm)

SHENZHEN KINGHELM ELECTRONIC CO., LTD.	WWW.BDS666.COM
KH-ZBF4000R-9P-5.08G	0755-83044319