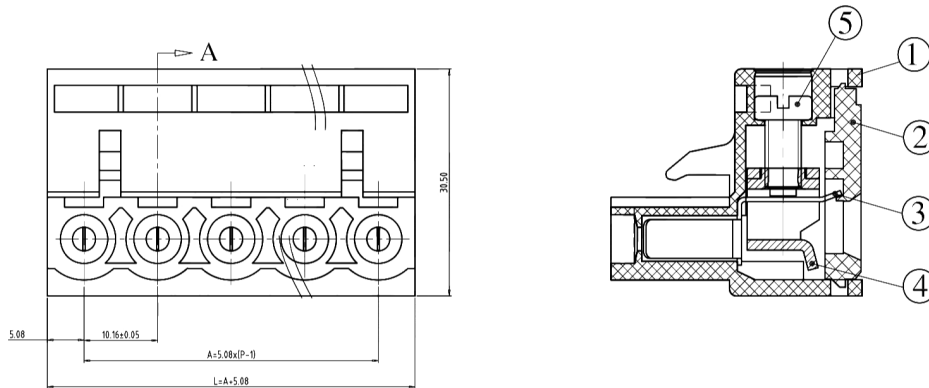


P. C. B. ZBK-400 SERIES ZBK400R-XXP-GS

SPECIFICATION

1. Rated voltage: 300V 15A(CE)
2. Insulation Withstands Voltage: AC2000V/MIN
3. Insulation Resistance: 500MΩ or more at DC500V
4. Using Temperature Range: -40°C/+105°C
5. Screw Torque Value: 0.4N.m
6. Suitable Electric Wire: 28-14AWG
7. Storage condition: room temperature, the humidity below 85%, shelf life: 1 year.
8. Origin: China ningbo cixi

MATERIAL



#: Back to the material used ≤ 30%

N.o	NAME	MATERIAL	SPECIFICATIONS
1	HOUSING	PA66(UL94V-0)	GREEN
2	COVER	PA66(UL94V-0)	GREEN
3	CLAMP	BRONZE	EP-Cu/Cu1-2 Ni2-4um
4	BLOCK	STEEL	EP-Fe/Cu1-2 Zn5-8um
5	SCREW	STEEL	M3.0EP-Fe/Cu1-2 Zn5-8um

HOW TO ORDER

Insertion-withdrawal type(Receptacle)

Serial code Sequence code feature code Identifying code

ZBK400R-XXP-GS

Colour code: G - green The subdivision codes for standard colours may be omitted
Qty of cables (XXP), XX indicates that Qty of cables is unspecified
R: Inline direction and pin level
serial number serial number for specification classification
Spacing code, 4-5.08mm
2B-company code K-Plug-in type (Plug)

Packing Bag:

Size: 20.0×19.0 (cm)

SHENZHEN KINGHELM ELECTRONIC CO., LTD.	WWW.BDS666.COM
KH-ZBK400R-10P-5.08GS	0755-83044319