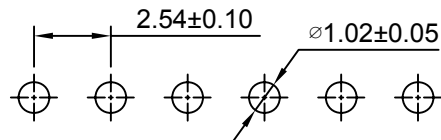
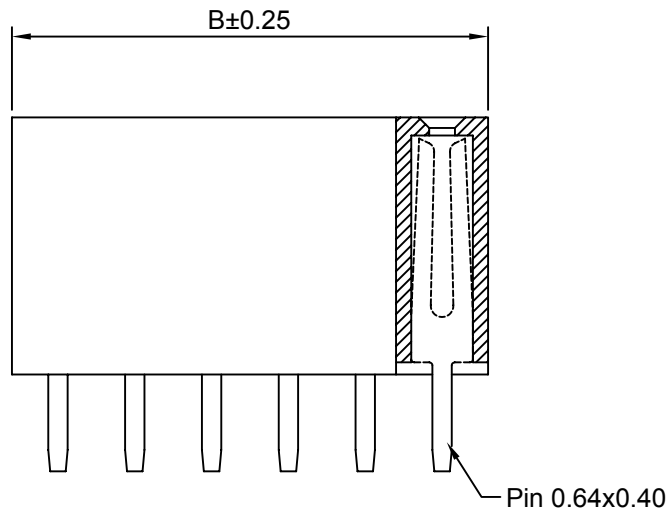
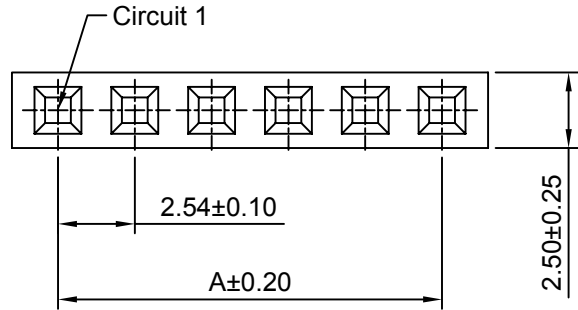


## Ordering Information:

A2541HWV-XP -  $\frac{****}{1}$  -  $\frac{***}{2}$  -  $\frac{*}{3}$  -  $\frac{***}{4}$  -  $\frac{***}{5}$

- Part No.
- Size(H):  
 (blank): 8.50mm  
 H71: 7.10mm  
 H57: 5.70mm  
 H50: 5.00mm  
 H35: 3.50mm(B:B-0.50mm)  
 H110: 11.00mm
- Size(D):  
 (blank): 3.20mm(H85,H71,H57,H50,H110)  
 D26: 2.60mm(H35)  
 D21: 2.10mm(H50)
- Finish:  
 (blank): Gold over Nickel  
 T: Tin over Nickel
- Material:  
 (blank): PBT,UL94V-0  
 6T: Nylon 6T,UL94V-0  
 GWT: Nylon 6T,UL94V-0,GWT 750°C



P.C.B LAYOUT

## SPECIFICATIONS:

Current Rating: 3A AC,DC  
 Voltage Rating: 250V AC,DC  
 Temperature Range: -40°C ~ +105°C  
 Contact Resistance: 20mΩ Max  
 Insulation Resistance: 1000MΩ Min  
 Withstanding Voltage: 1500V AC/minute  
 Pin Material: Brass/Gold over Nickel  
 Material: PBT,UL94V-0(Black)

## Ordering Information & Dimensions

| Circuits | Dim(mm) |       | Circuits | Dim(mm) |       | Circuits | Dim(mm) |        |
|----------|---------|-------|----------|---------|-------|----------|---------|--------|
|          | A       | B     |          | A       | B     |          | A       | B      |
| 2P       | 2.54    | 5.58  | 15P      | 35.56   | 38.60 | 28P      | 68.58   | 71.62  |
| 3P       | 5.08    | 8.12  | 16P      | 38.10   | 41.14 | 29P      | 71.12   | 74.16  |
| 4P       | 7.62    | 10.66 | 17P      | 40.64   | 43.68 | 30P      | 73.66   | 76.70  |
| 5P       | 10.16   | 13.20 | 18P      | 43.18   | 46.22 | 31P      | 76.20   | 79.24  |
| 6P       | 12.70   | 15.74 | 19P      | 45.72   | 48.76 | 32P      | 78.74   | 81.78  |
| 7P       | 15.24   | 18.28 | 20P      | 48.26   | 51.30 | 33P      | 81.28   | 84.32  |
| 8P       | 17.78   | 20.82 | 21P      | 50.80   | 53.84 | 34P      | 83.82   | 86.86  |
| 9P       | 20.32   | 23.36 | 22P      | 53.34   | 56.38 | 35P      | 86.36   | 89.40  |
| 10P      | 22.86   | 25.90 | 23P      | 55.88   | 58.92 | 36P      | 88.90   | 91.94  |
| 11P      | 25.40   | 28.44 | 24P      | 58.42   | 61.46 | 37P      | 91.44   | 94.48  |
| 12P      | 27.94   | 30.98 | 25P      | 60.96   | 64.00 | 38P      | 93.98   | 97.02  |
| 13P      | 30.48   | 33.52 | 26P      | 63.50   | 66.54 | 39P      | 96.52   | 99.56  |
| 14P      | 33.02   | 36.06 | 27P      | 66.04   | 69.08 | 40P      | 99.06   | 102.10 |

|  |                 |            |                                      |  |                       |
|--|-----------------|------------|--------------------------------------|--|-----------------------|
| SHENZHEN KINGHELM ELECTRONIC CO., LTD. |                 |            | WWW.BDS666.COM                       |  |                       |
| KH-A2541HWV-2P                         |                 |            | 0755-83044319                        |  |                       |
| Unit                                   | Scale           | Sheet      | Title :                              |  |                       |
| mm                                     | 4:1             | 1 of 1     |                                      |  |                       |
| Draw BY:                               |                 | Approved : |                                      | <b>2.54mm PITCH</b><br><b>180° SINGLE ROW</b><br><b>BOX HEADER</b> |                       |
| Tony Su                                |                 | Jack Yin   |                                      |  |                       |
| General Tolerance                      |                 |            |                                      |  |                       |
| A1                                     | updated version | 2018.04.13 | x.xx≤0.25<br>x.xx≤0.20<br>x.xxx≤0.15 | ANGLE±<br>   | DRAW NO : A2541HWV-XP |
| A0                                     | NEW RELEASE     | 2005.07.01 |                                      |  |                       |
| REV                                    | DESCRIPTION     | DATE       |                                      |  |                       |
|  |                 |            |                                      |  | REV A1                |