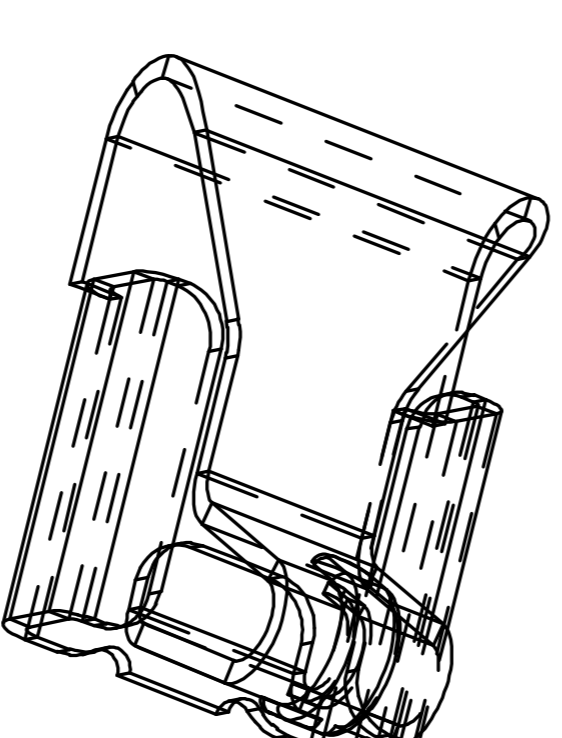
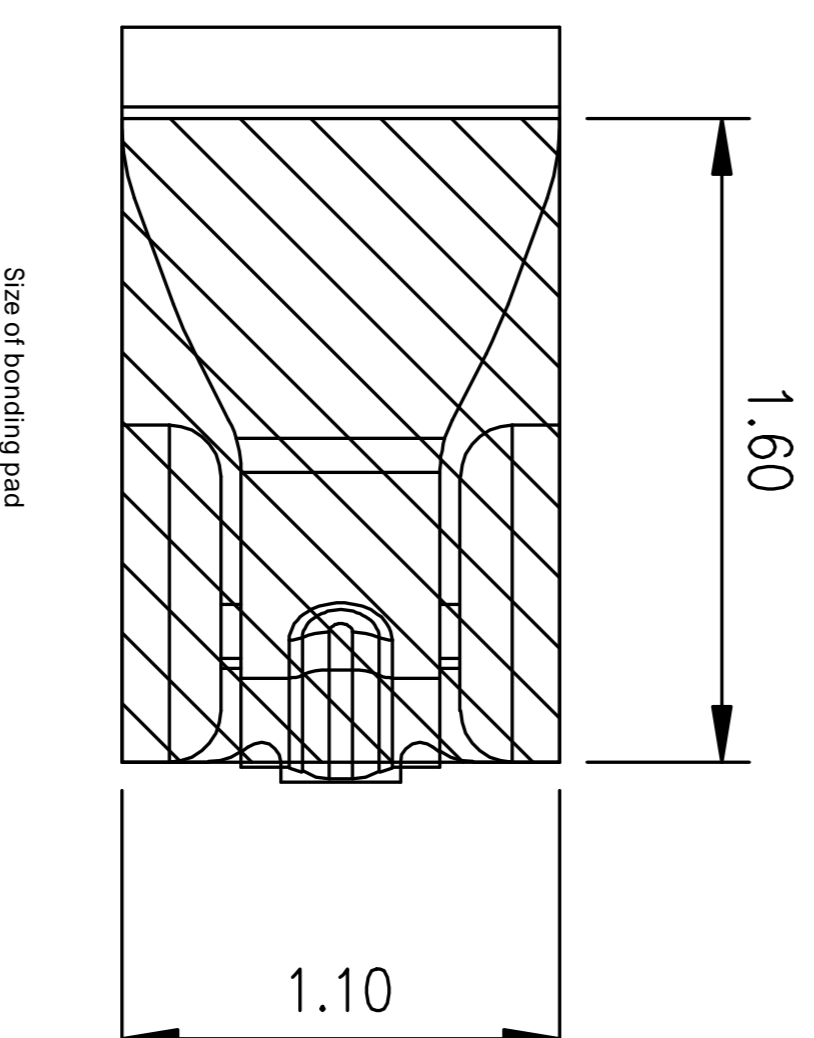
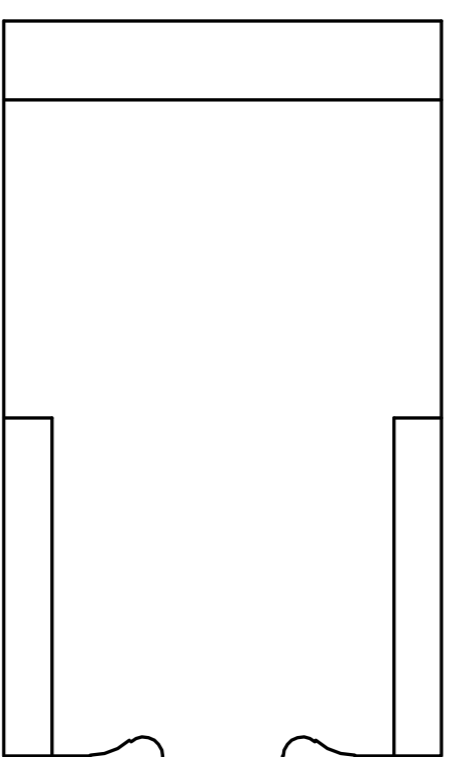
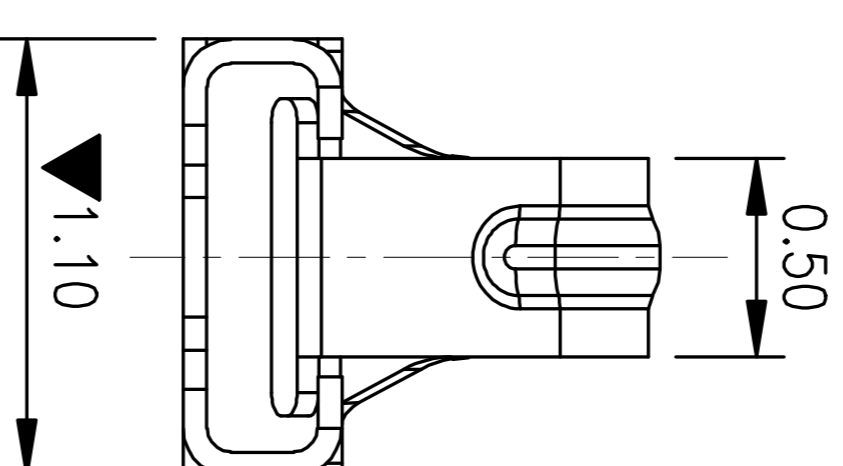
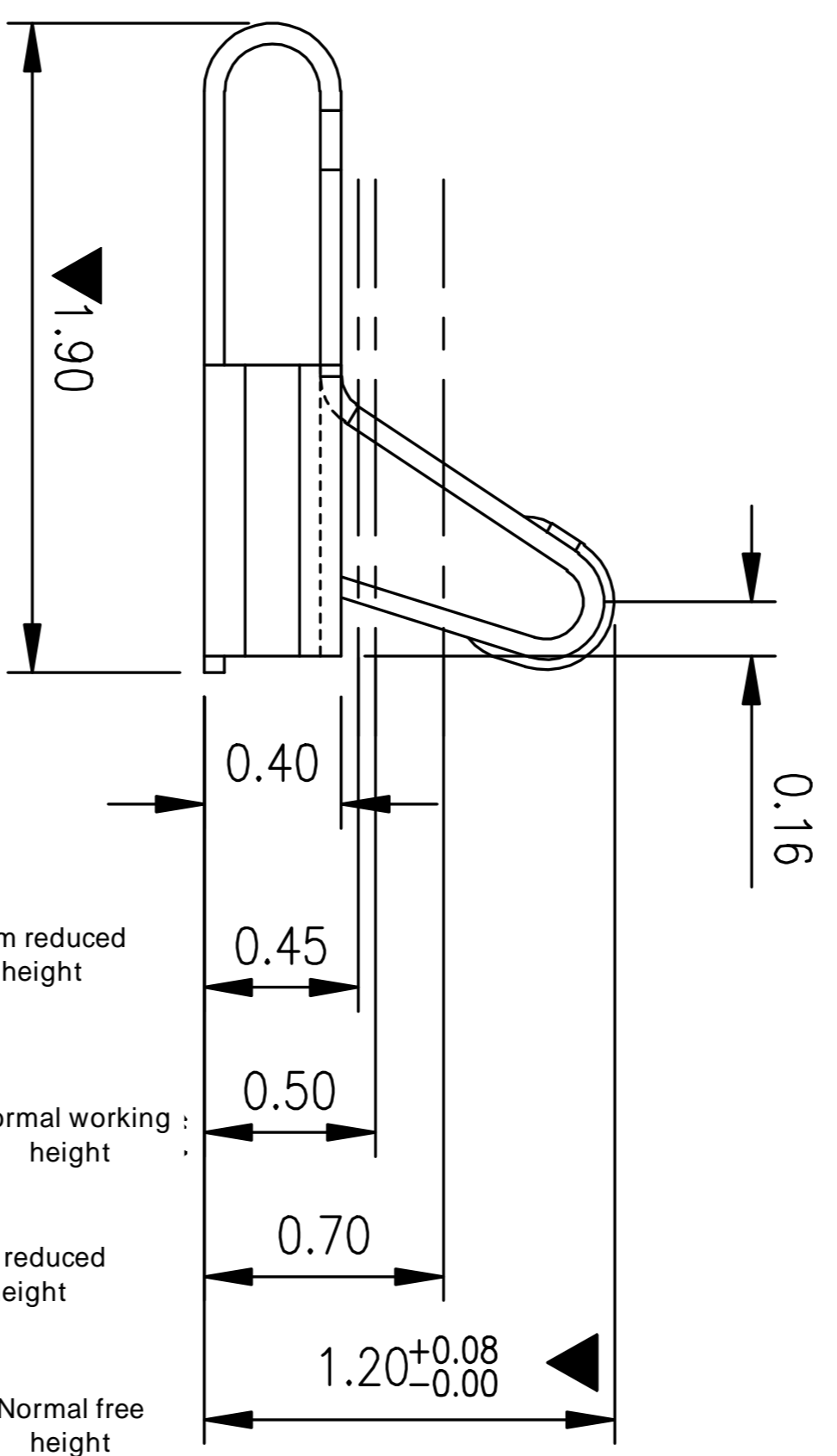
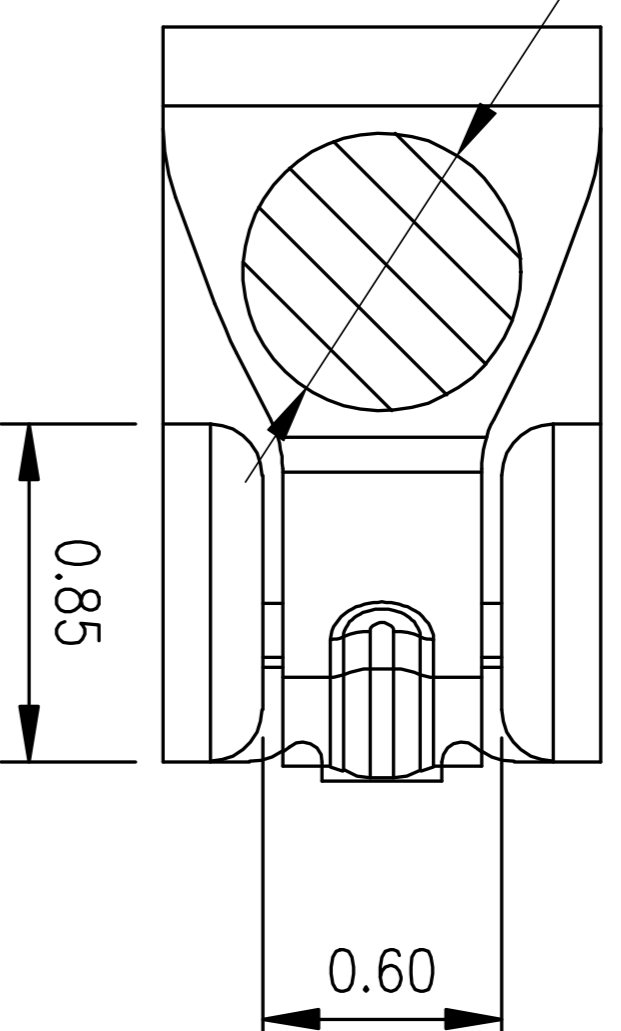


# Kinghelm®

∅0.70 Sucker position



Size of bonding pad  
±0.05

Rev.	ECN Number	Description	Date	Drawn	Checked	Approved

### Specification

1. Material: stainless steel SUS301, T = 0.06 ± 0.005;
2. The welding and contact surfaces of the Tin terminal shall be free of burrs, and the maximum size of burrs in other parts shall be 0.03mm;
3. Twisting: 45° / 1000mm, arch 5mm/1000mm;
4. Dimensions marked with "▼" shall be measured and inspected with emphasis;
5. Unmarked R Max R0.13;
6. Electroplating must be inspected by 48-hour salt spray test;
7. Life test > 20000 times The elasticity of the product shall be between 60gf and 80gf as required.
8. Ni 50~80u"min, soldering area gold-plating, contact area gold plating1U"MIN

SHENZHEN KINGHELM ELECTRONIC CO., LTD.		SCALE: 1:1		DRAWN		DATE		DWG. NO.		TITLE		REV.	
WWW.BDS666.COM		UNIT: mm		CHECK		DATE		681-0099B-1		Customer's drawing		A	
Model : KH-191112-TP		SIZE: A4		APPROVE		DATE		PARTS NO.(INTENDED USE)		RF Antenna Spring,SMT,		SHEET	
0755-83044319		.XX ±0.15		.XX ±0.5°		DATE		JXH0099B1		L1.9*W1.1*H1.20mm		1/1	
GENERAL TOLERANCE		XX. ±0.50		X.° ±2.0°		DATE							
		X. ±0.35		X.° ±1.0°		DATE							
		.X ±0.25		.XX ±0.5°		DATE							