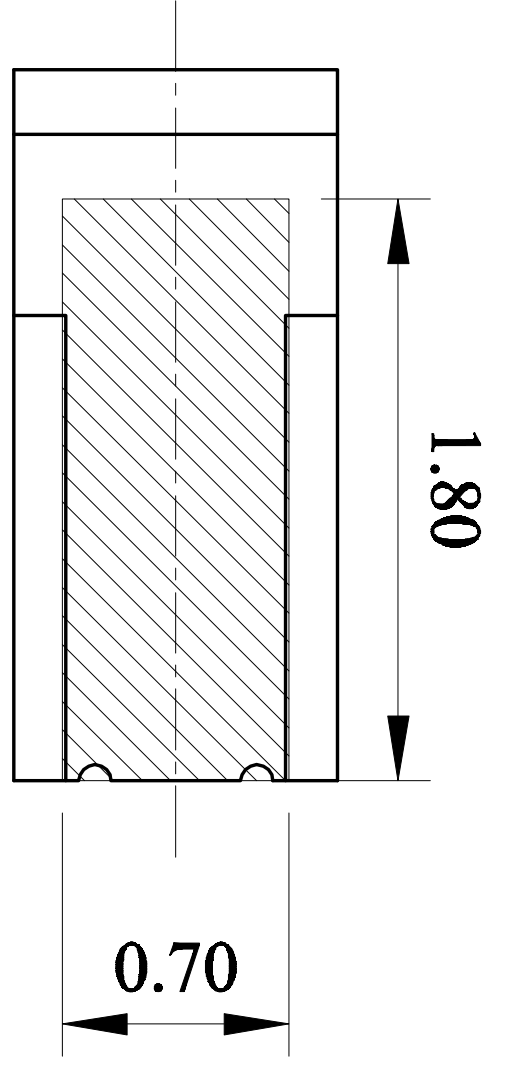
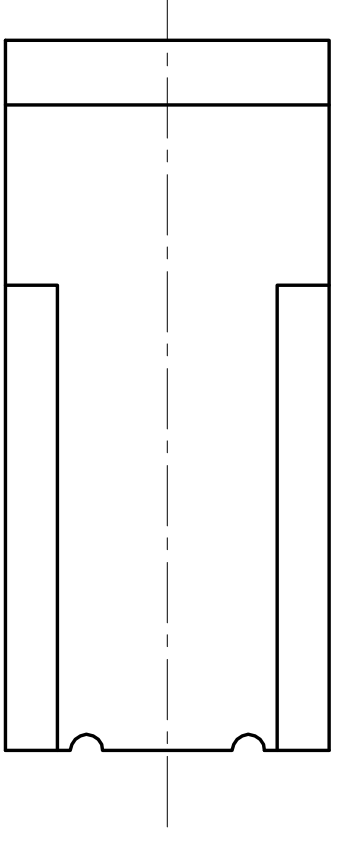
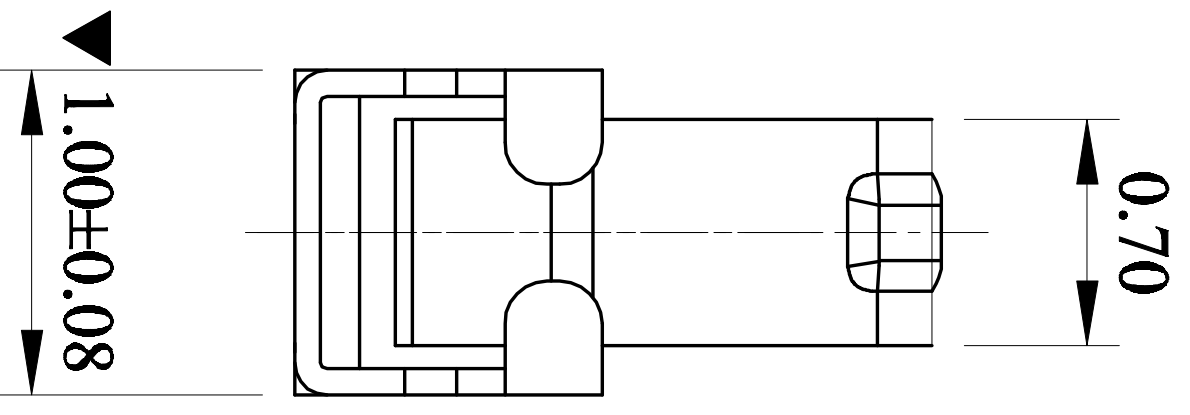
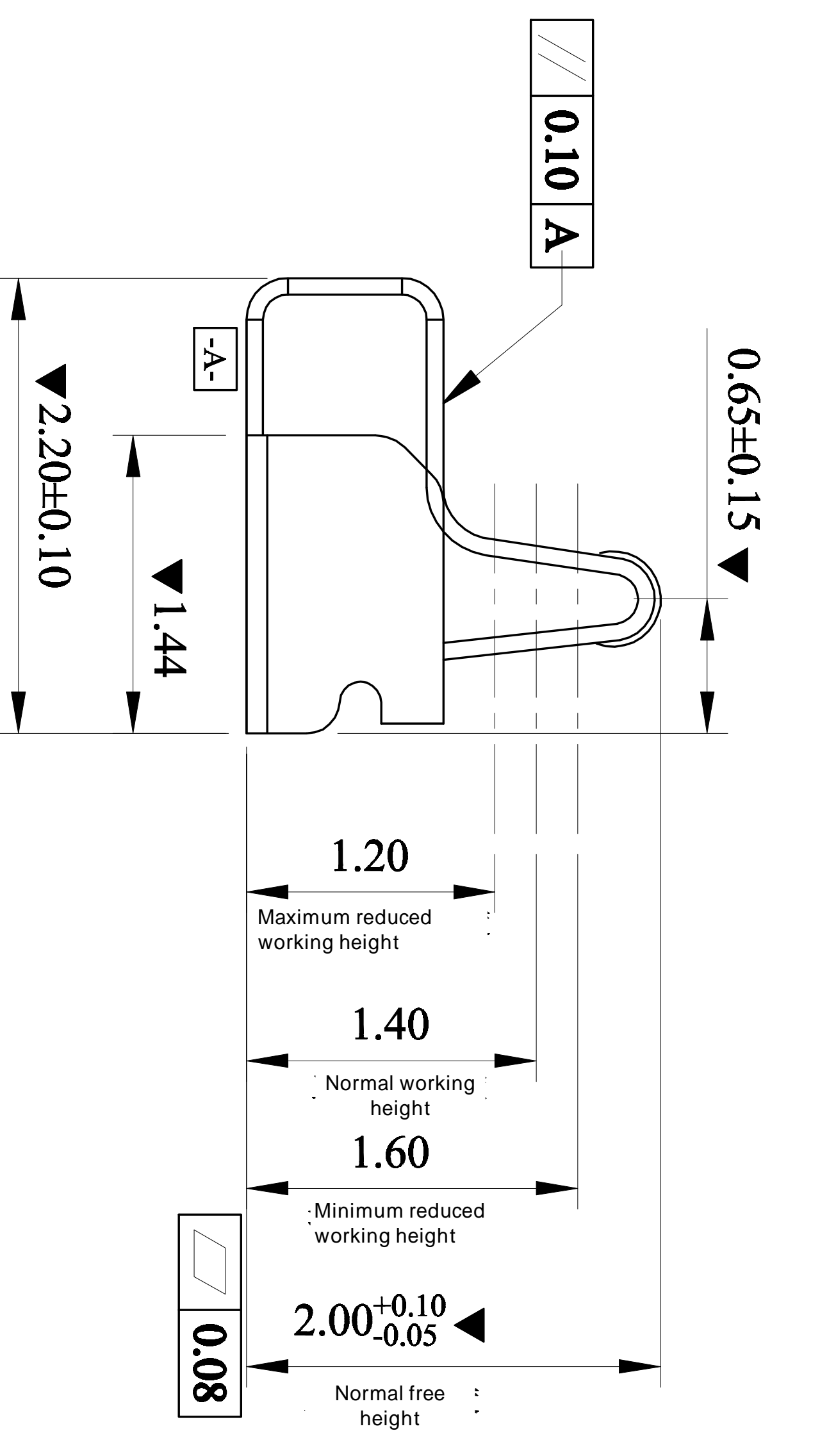
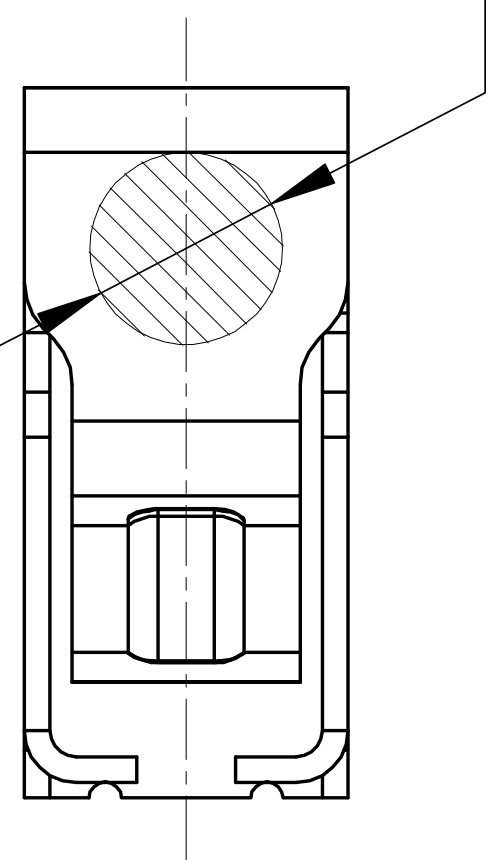


Ø0.60 Sucker position

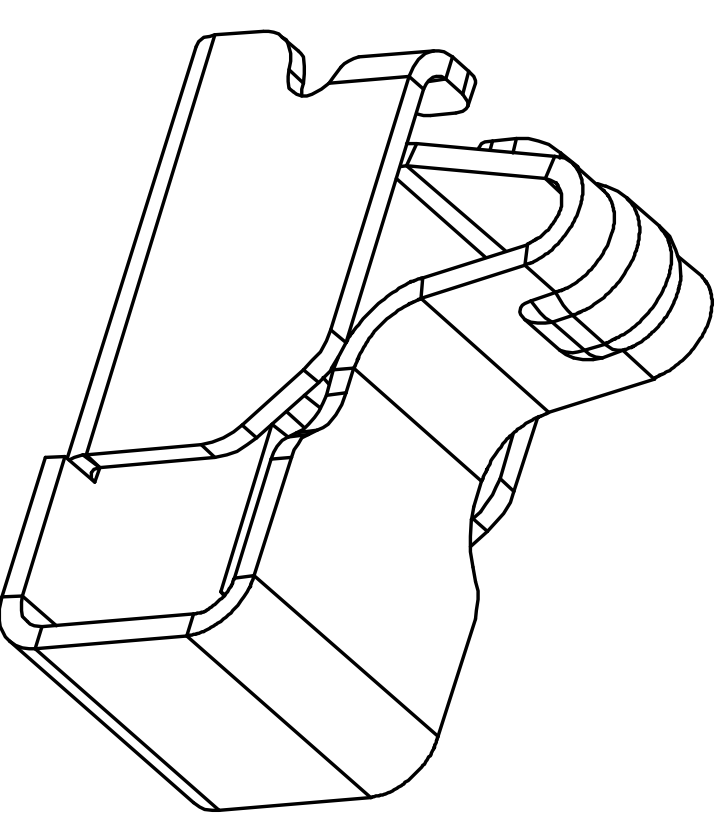


Size of bonding pad
±0.05

Rev.	ECN Number	Description	Date	Drawn	Checked	Approved

Specification

1. Material: stainless steel SUS301, T = 0.10 ± 0.005;
2. The welding and contact surfaces of the Tin terminal shall be free of burrs, and the maximum size of burrs in other parts shall be 0.03mm;
3. Twisting: 45 ° / 1000mm, arch 5mm/1000um;
4. Dimensions marked with "▼" shall be measured and inspected with emphasis;
5. Unmarked R Max R0.13;
6. Electroplating must be inspected by 48-hour salt spray test;
7. Life test > 20000 times The elasticity of the product shall be between 60gf and 80gf as required.
8. Ni 50-80u"min, soldering area gold-plating; contact area gold plating1U"MIN



SHENZHEN KINGHELM ELECTRONIC CO., LTD.		GENERAL TOLERANCE		SCALE: 1:1		DRAWN		DATE		DWG. NO.		TITLE		REV.	
WWW.BDS666.COM		XX. ± 0.50		UNIT: mm		CHECK		DATE		681-0096B-1		Customer's drawing		A	
Model : KH-221020-TP		X. ± 0.35		X.° ± 2.0°		APPROVE		DATE		PARTS NO.(INTENDED USE)		RF Antenna Spring, SMT,		SHEET	
0755-83044319		.X ± 0.25		.X° ± 1.0°		DATE		DATE		JXH0096B1		L2.2*W1.0*H2.0mm		1/1	
		.XX ± 0.15		.XX° ± 0.5°											