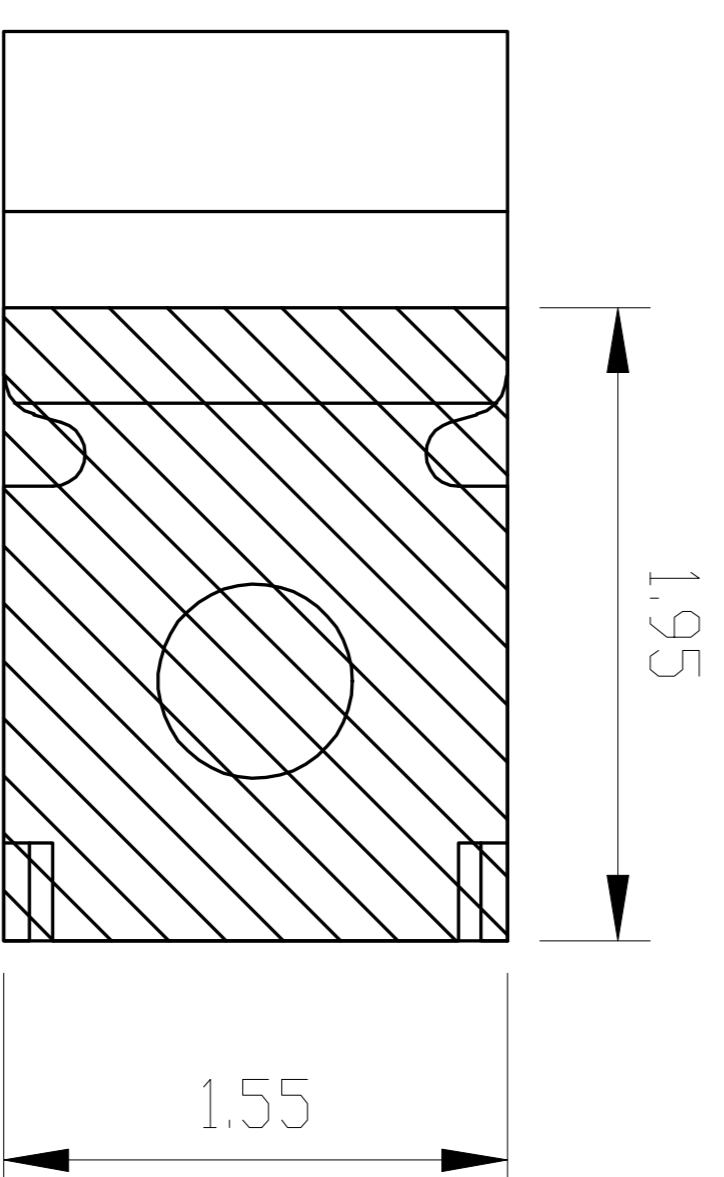
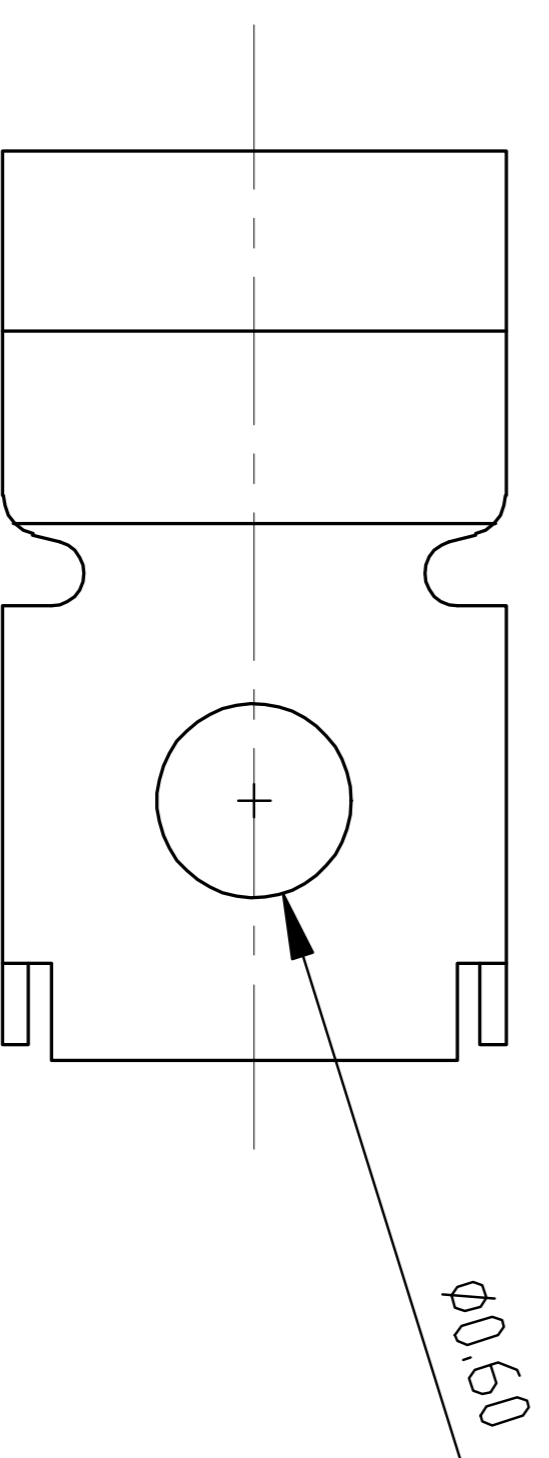
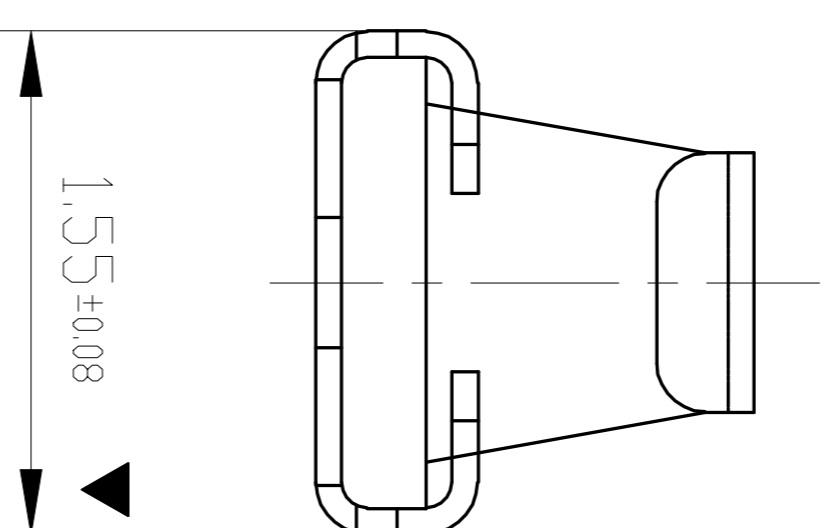
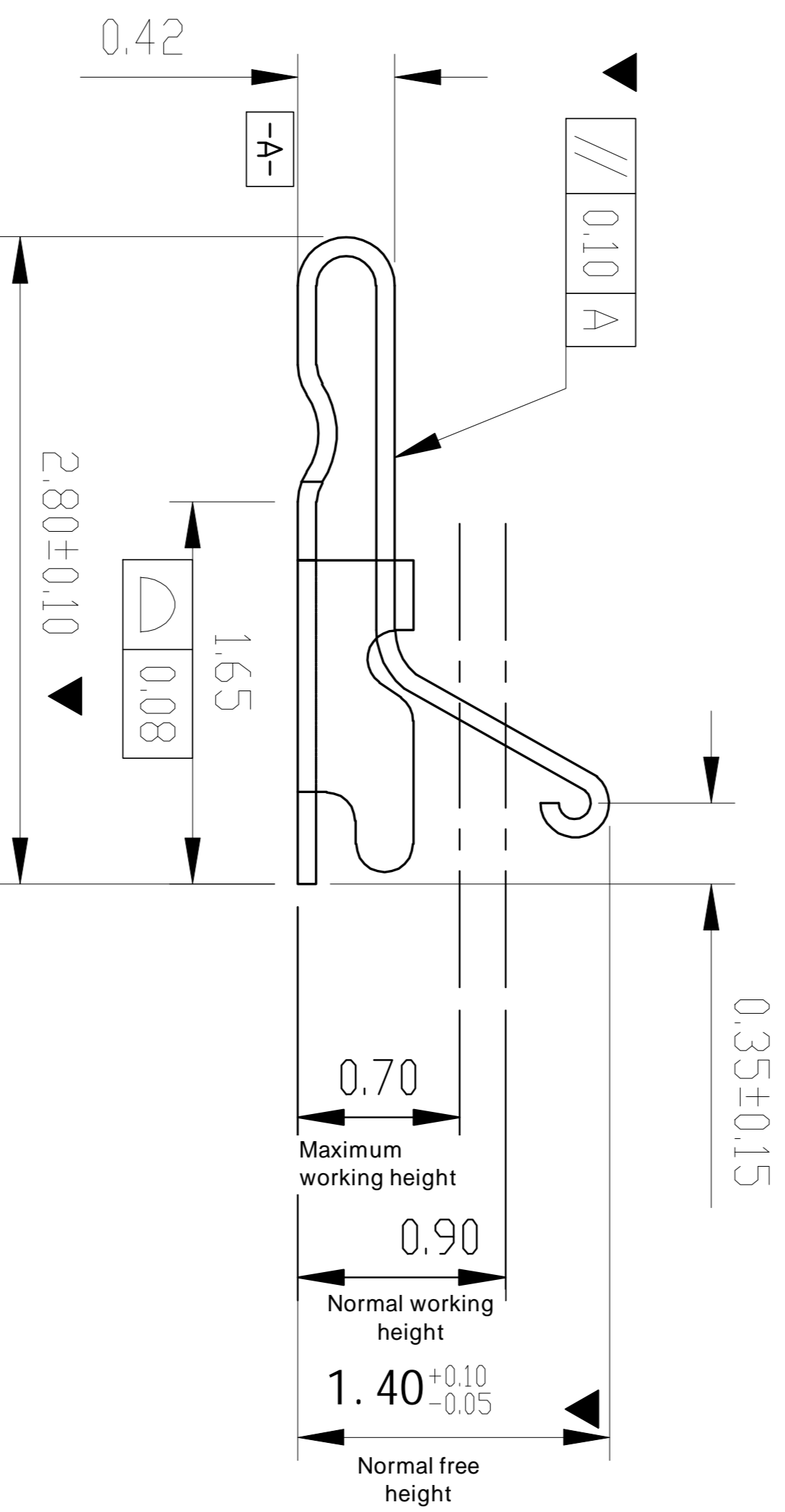
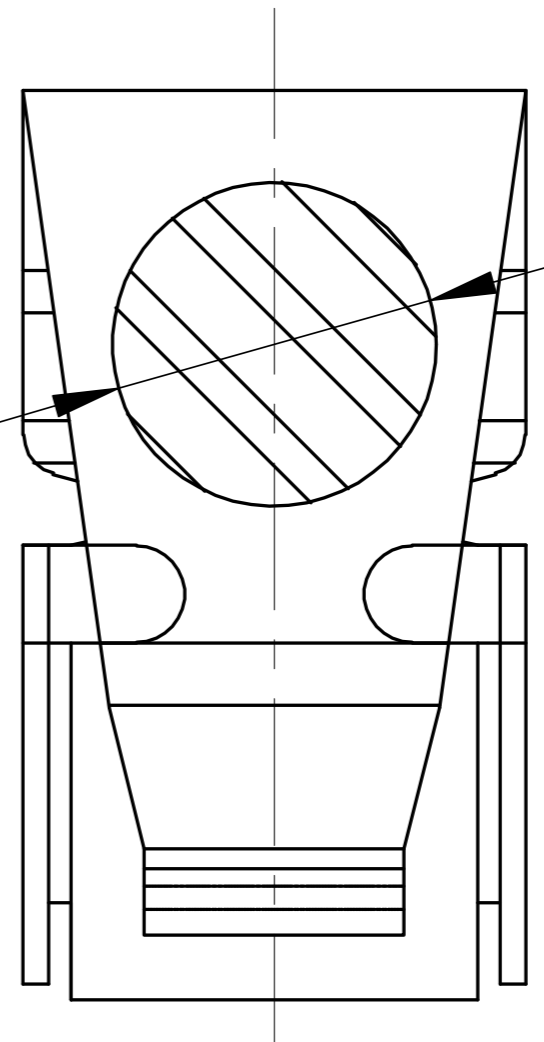


# Kinghelm®

Ø1.00 Sucker position

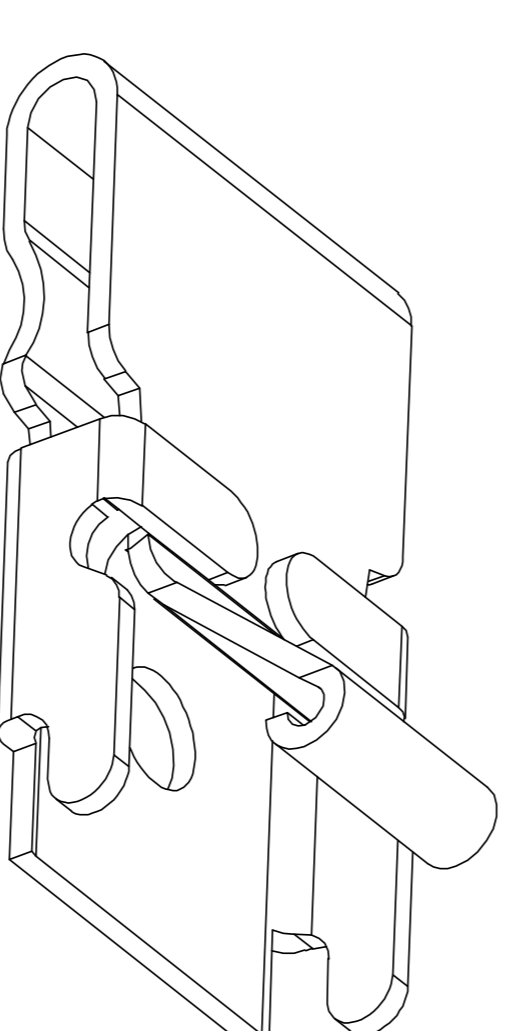


Dimensional Tolerance ±0.05

Rev.	ECN Number	Description	Date	Drawn	Checked	Approved

### Specification

1. Material: stainless steel SUS304,  $t = 0.10 \pm 0.005$ ;
2. The welding and contact surfaces of the Tin terminal shall be free of burrs, and the maximum size of burrs in other parts shall be 0.03mm;
3. Twisting:  $45^\circ / 1000\text{mm}$ , arch  $5\text{mm}/1000\text{mm}$ ;
4. Dimensions marked with "▼" shall be measured and inspected with emphasis;
5. Unmarked R Max R0.13;
6. Electroplating must be inspected by 48-hour salt spray test;
7. Life test > 20000 times The elasticity of the product shall be between 60gf and 80gf as required.
8. Ni 50~80u"min, soldering area gold-plating; contact area gold plating1U"MIN



SHENZHEN KINGHELM ELECTRONIC CO., LTD.  
**WWW.BDS666.COM**  
 Model : KH-2815514-TP  
 0755-83044319

GENERAL TOLERANCE	
XX. ±0.50	X.° ±2.0°
X. ±0.35	.X° ±1.0°
.XX ±0.25	.XX° ±0.5°
.XX ±0.15	

SCALE:	1:1
UNIT:	mm
SIZE:	A4

DRAWN	CHECK	DATE
APPROVE	DATE	

DWG. NO.	PARTS NO.(INTENDED USE)
681-0025B-1	JXH0025B2

TITLE	REV.
Customer's drawing RF Antenna Sprin ,SMT, L2.8*W1.55*H 1.4mm	A SHEET 1/1