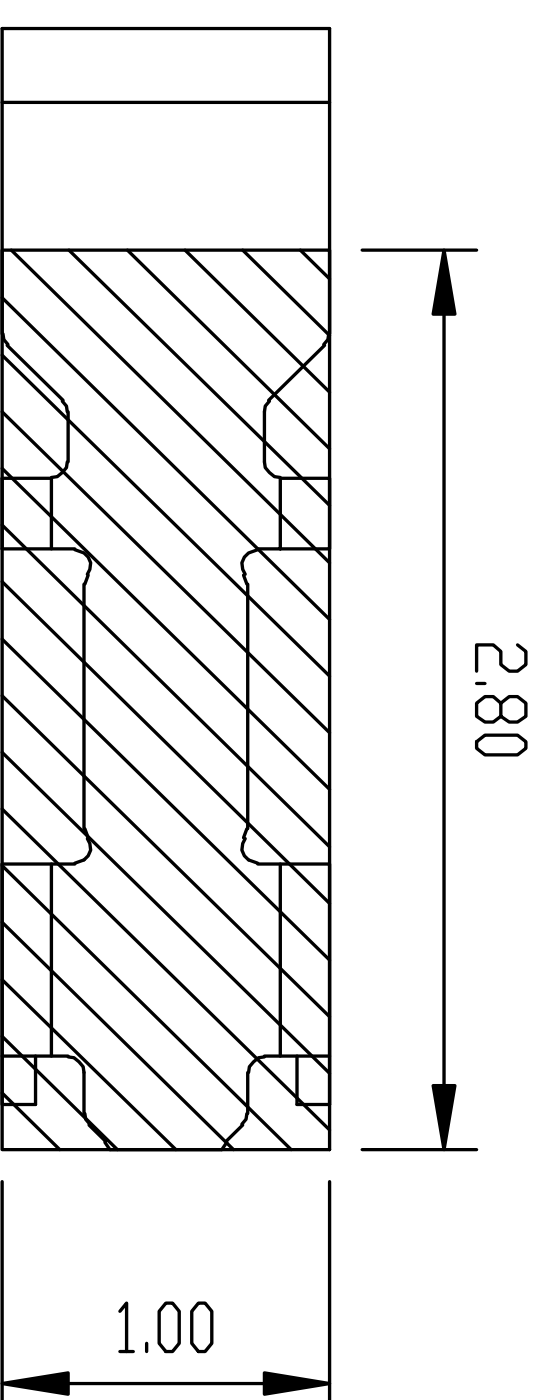
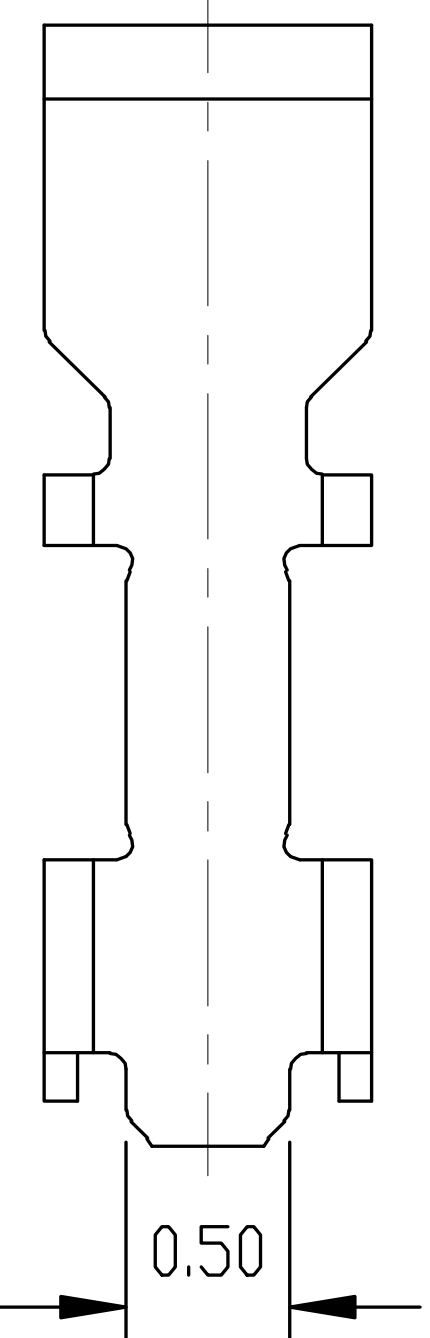
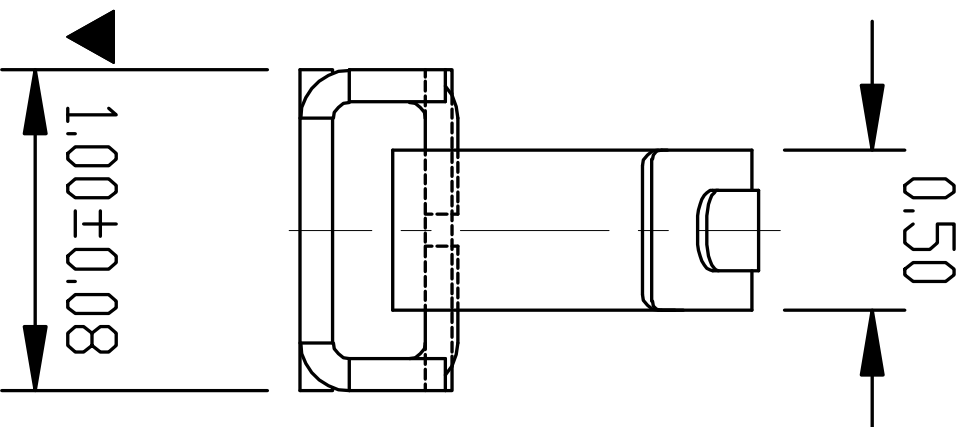
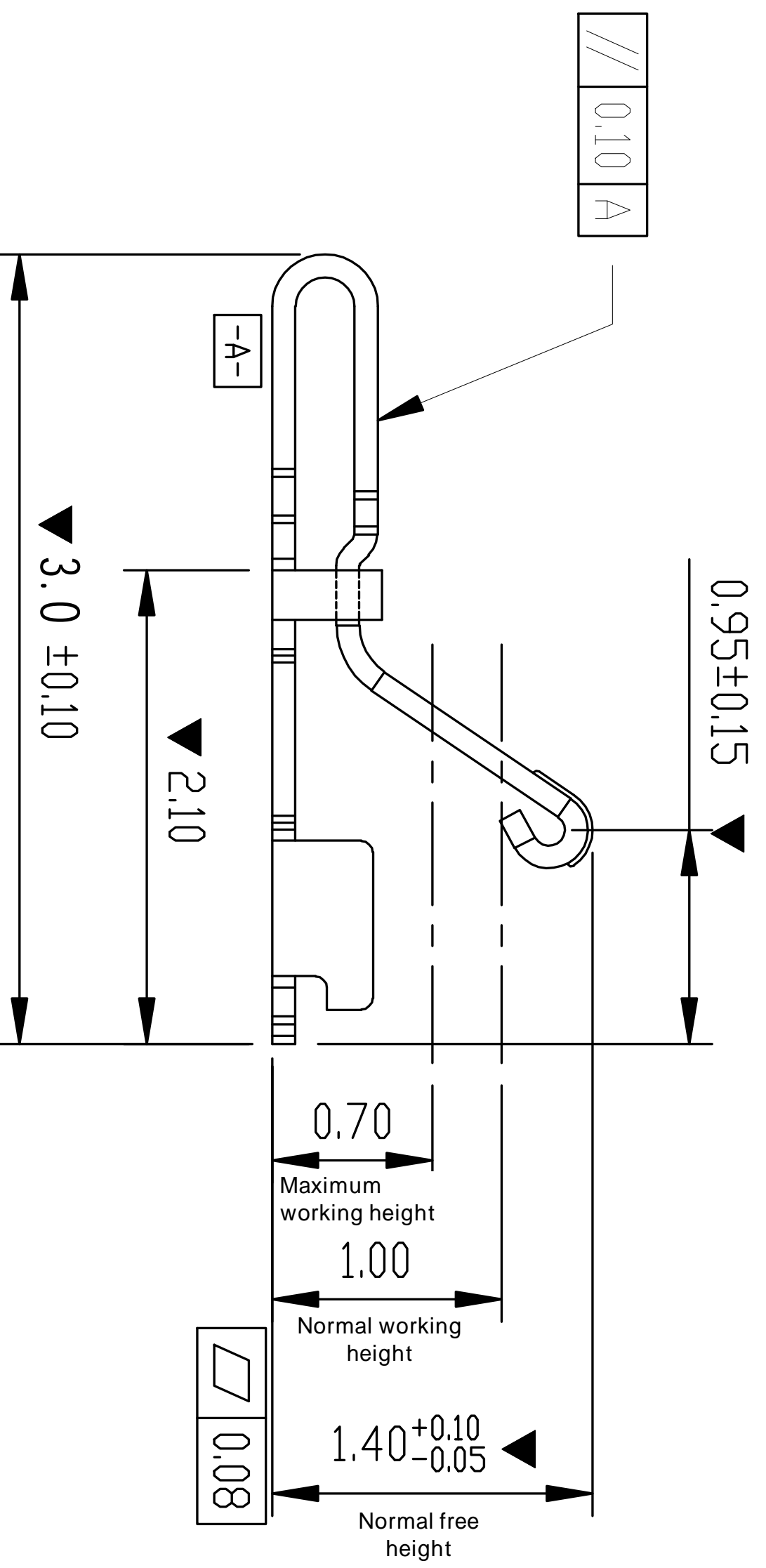
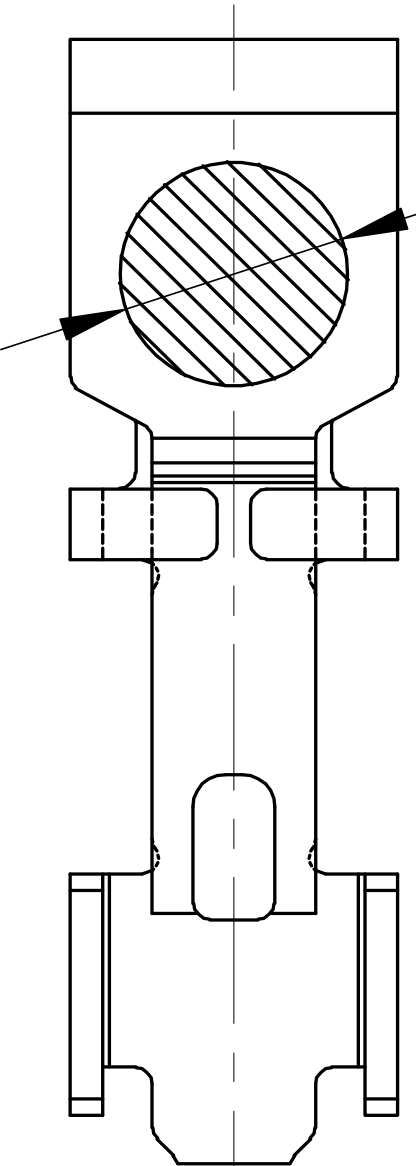
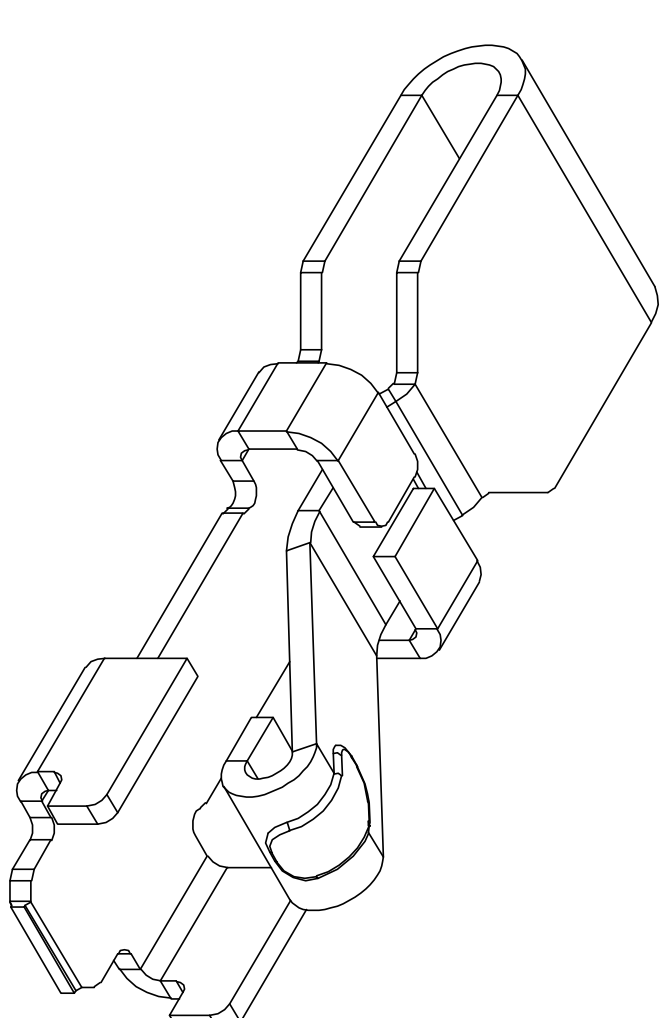


∅0.70 Sucker position



Size of bonding pad

Dimensional Tolerance ±0.05



- Specification**
1. Material: stainless steel SUS304, T = 0.08 ± 0.005;
 - ▼ 2. The welding and contact surfaces of the Tin terminal shall be free of burrs, and the maximum size of burrs in other parts shall be 0.03mm;
 3. Twisting: 45 ° / 1000mm, arch 5mm/1000mm;
 4. Dimensions marked with "▼" shall be measured and inspected with emphasis;
 5. Unmarked R Max R0.13;
 6. Electroplating must be inspected by 48-hour salt spray test;
 7. Life test > 20000 times The elasticity of the product shall be between 60gf and 80gf as required.
 8. Ni 50~80u"min, soldering area gold-plating, contact area gold plating 1U"MIN

Rev.	ECN Number	Description	Date	Drawn	Checked	Approved

SHENZHEN KINGHELM ELECTRONIC CO., LTD.
WWW.BDS666.COM
 Model : KH-301014-TP
 0755-83044319

GENERAL TOLERANCE	
XX. ±0.50	X.° ±2.0°
X. ±0.35	.X° ±1.0°
.X ±0.25	.XX° ±0.5°
.XX ±0.15	

SCALE: 1:1
 UNIT: mm
 SIZE: A4

DRAWN	DATE
CHECK <td>DATE</td>	DATE
APPROVE <td>DATE</td>	DATE

DWG. NO. 681-0036A-1
 PARTS NO.(INTENDED USE) JXH0036A1

TITLE
 Customer's drawing
 RF Antenna Spring, SMT,
 L 3.0*W1.0*H1.4mm

REV. A
 SHEET 1/1