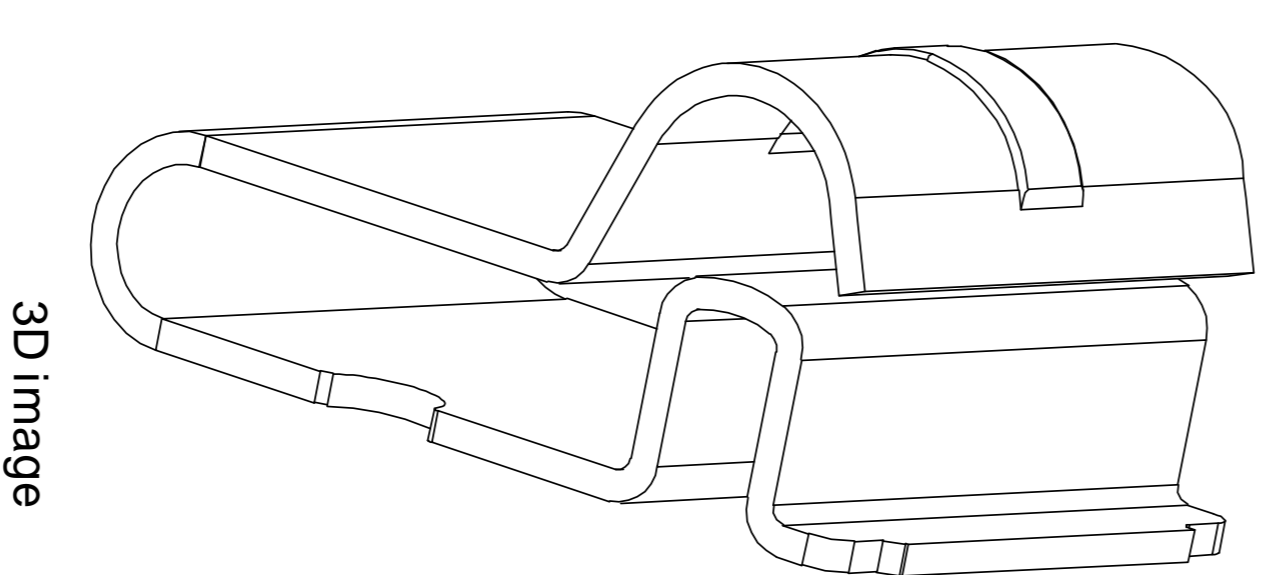


Dimensional Tolerance ± 0.05



- ### Specification
1. Material: stainless steel SUS304, T = 0.01 ± 0.005 ;
 - ▼ 2. The welding and contact surfaces of the Tin terminal shall be free of burrs, and the maximum size of burrs in other parts shall be 0.03mm;
 3. Twisting: $45^\circ / 1000\text{mm}$, arch $5\text{mm}/1000\text{mm}$;
 4. Dimensions marked with "▼" shall be measured and inspected with emphasis;
 5. Unmarked R Max R0.13;
 6. Electroplating must be inspected by 48-hour salt spray test;
 7. Life test > 20000 times The elasticity of the product shall be between 60gf and 80gf as required.
 8. Ni 50~80u"min, soldering area gold-plating, contact area gold plating 1U"MIN

Rev.	ECN Number	Description	Date	Drawn	Checked	Approved

SHENZHEN KINGHELM ELECTRONIC CO., LTD.		SCALE: 1:1		DRAWN		DATE		DWG. NO.		TITLE		REV.	
WWW.BDSS666.COM		XX. ± 0.50		CHECK		DATE		681-0040B-2		Customer's drawing		A	
Model: KH-301515-TP		X. ± 0.35		APPROVE		DATE		PARTS NO.(INTENDED USE)		S4 Spring, SMT, B type		SHEET	
0755-83044319		.X. ± 0.25				DATE		JXH0040B2		L3.00*W1.5*H1.50mm		1/1	
		.XX ± 0.15											