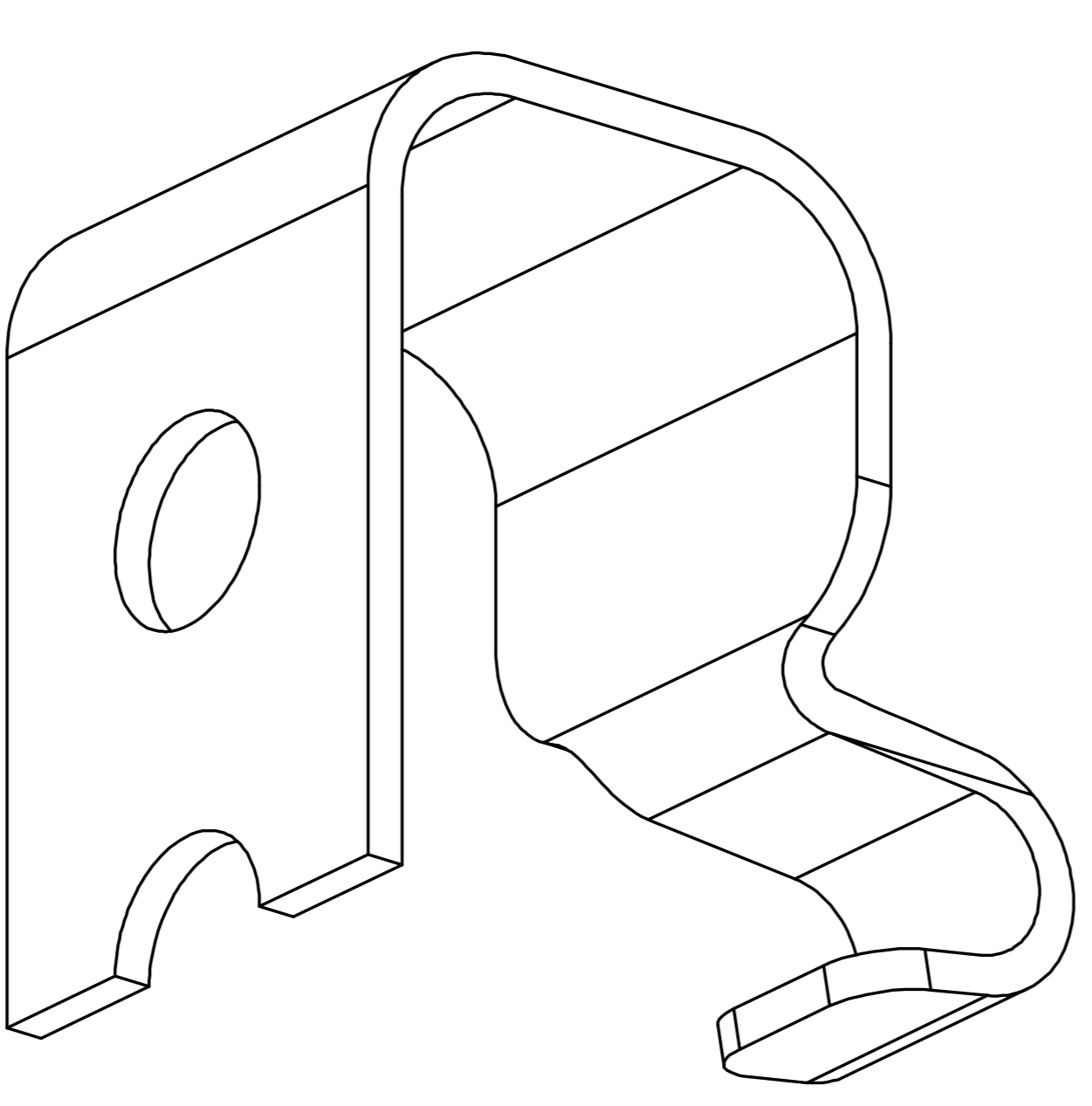
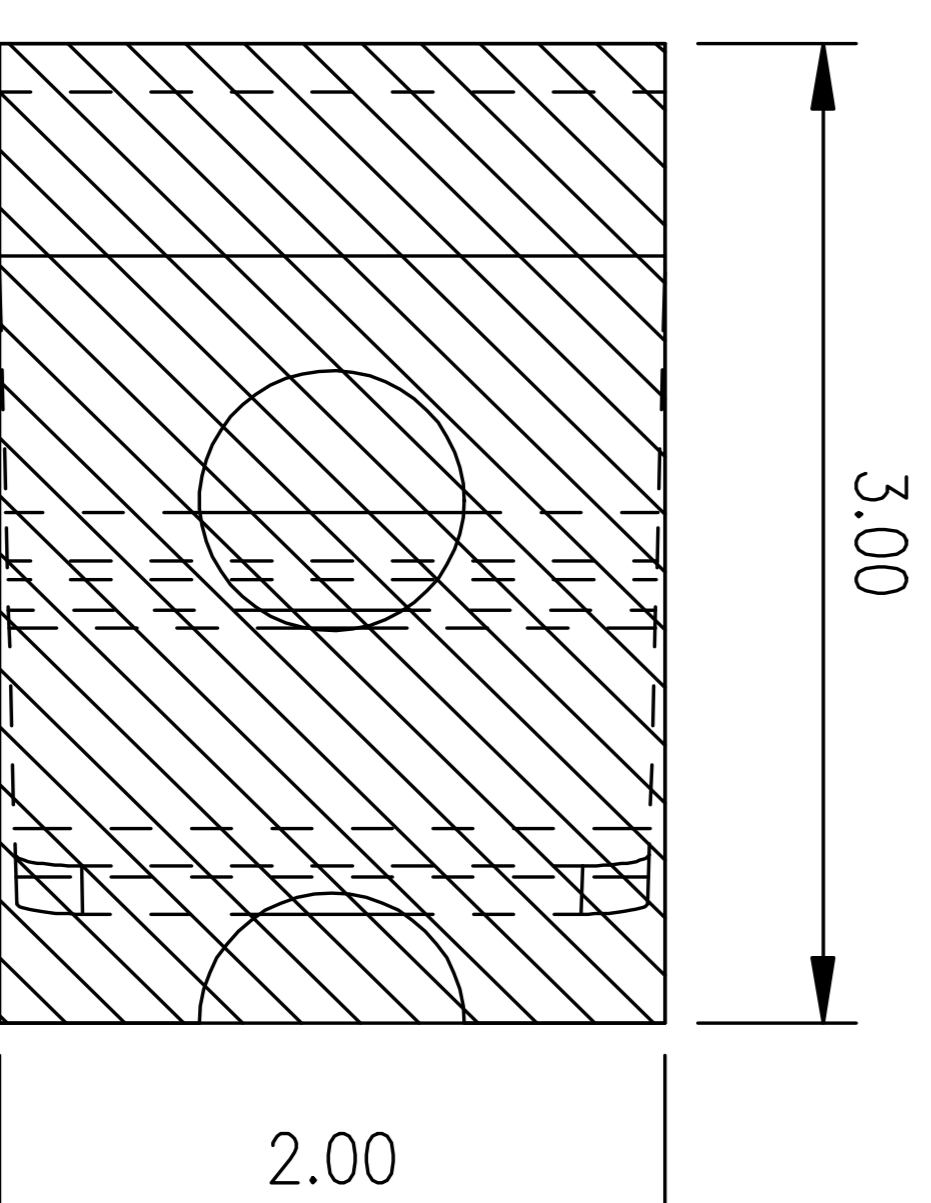
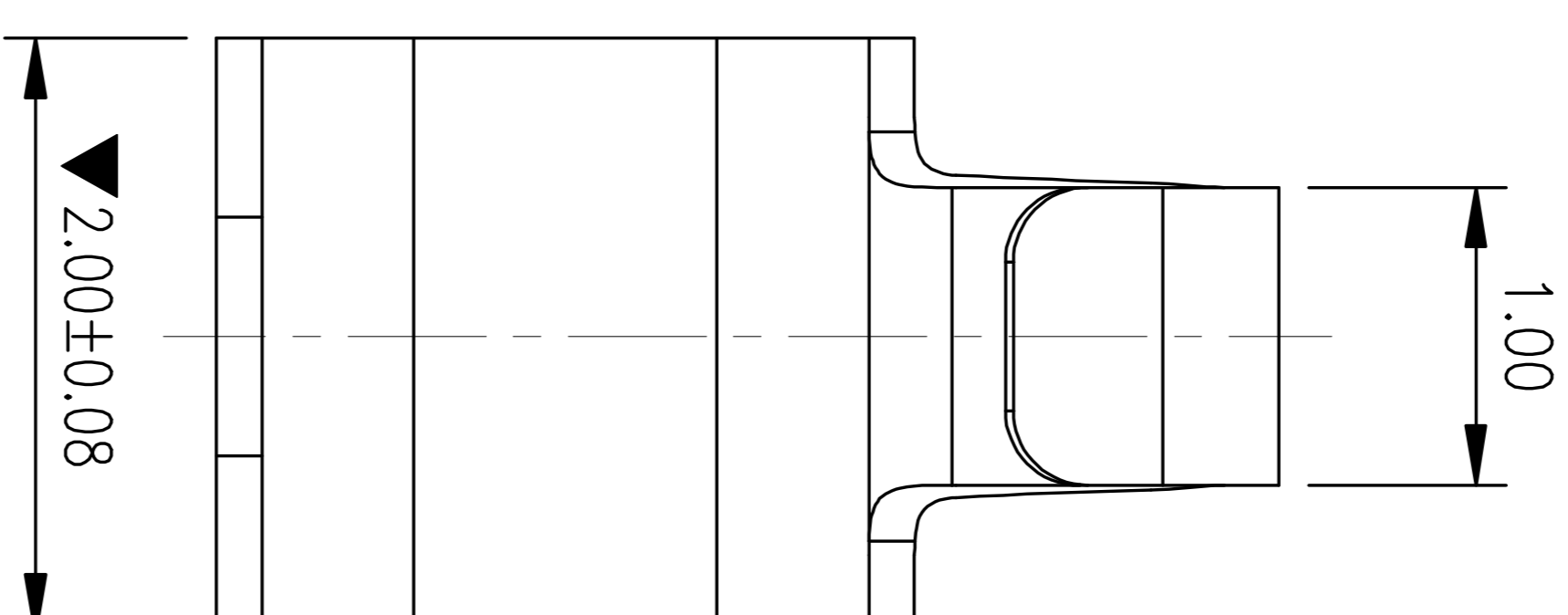
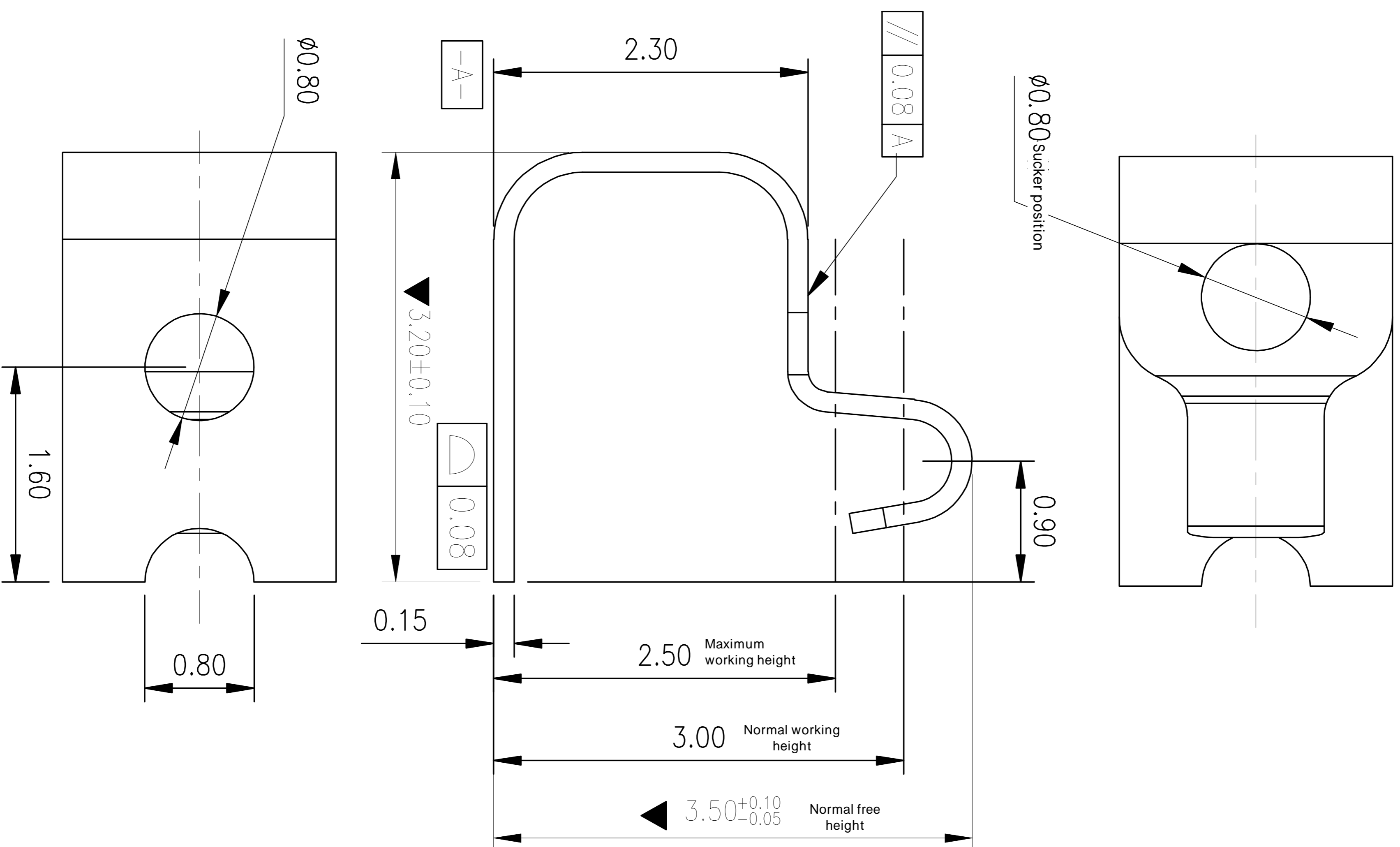


Rev.	ECN Number	Description	Date	Drawn	Checked	Approved

Specification

1. Material: stainless steel SUS301, T = 0.15 ± 0.005 ;
- ▼ 2. The welding and contact surfaces of the Tin terminal shall be free of burrs, and the maximum size of burrs in other parts shall be 0.03mm;
3. Twisting: $45^\circ / 1000\text{mm}$, arch 5mm/1000mm;
4. Dimensions marked with "▼" shall be measured and inspected with emphasis;
5. Unmarked R Max R0.13;
6. Electroplating must be inspected by 48-hour salt spray test;
7. Life test > 20000 times The elasticity of the product shall be between 60gf and 80gf as required.
8. Ni 50~80u"min, soldering area gold-plating, contact area gold plating I U"MIN



Size of bonding pad
Dimensional Tolerance
 ± 0.05

SHENZHEN KINGHELM ELECTRONIC CO., LTD.		GENERAL TOLERANCE		SCALE: 1:1		DRAWN		DATE		DWG. NO.		TITLE		REV.	
WWW.BDS666.COM		XX. ± 0.50		1:1		CHECK		DATE		681-0042C-2		Customer's drawing		A	
Model : KH-322035-TP		X. ± 0.35		mm		APPROVE		DATE		PARTS NO.(INTENDED USE)		S4 Spring, SMT, C type		SHEET	
0755-83044319		.X ± 0.25		mm		DATE		DATE		JXH0042C2		L3.0*W2.0*H3.50mm		1/1	
		.XX ± 0.15		mm		DATE		DATE							