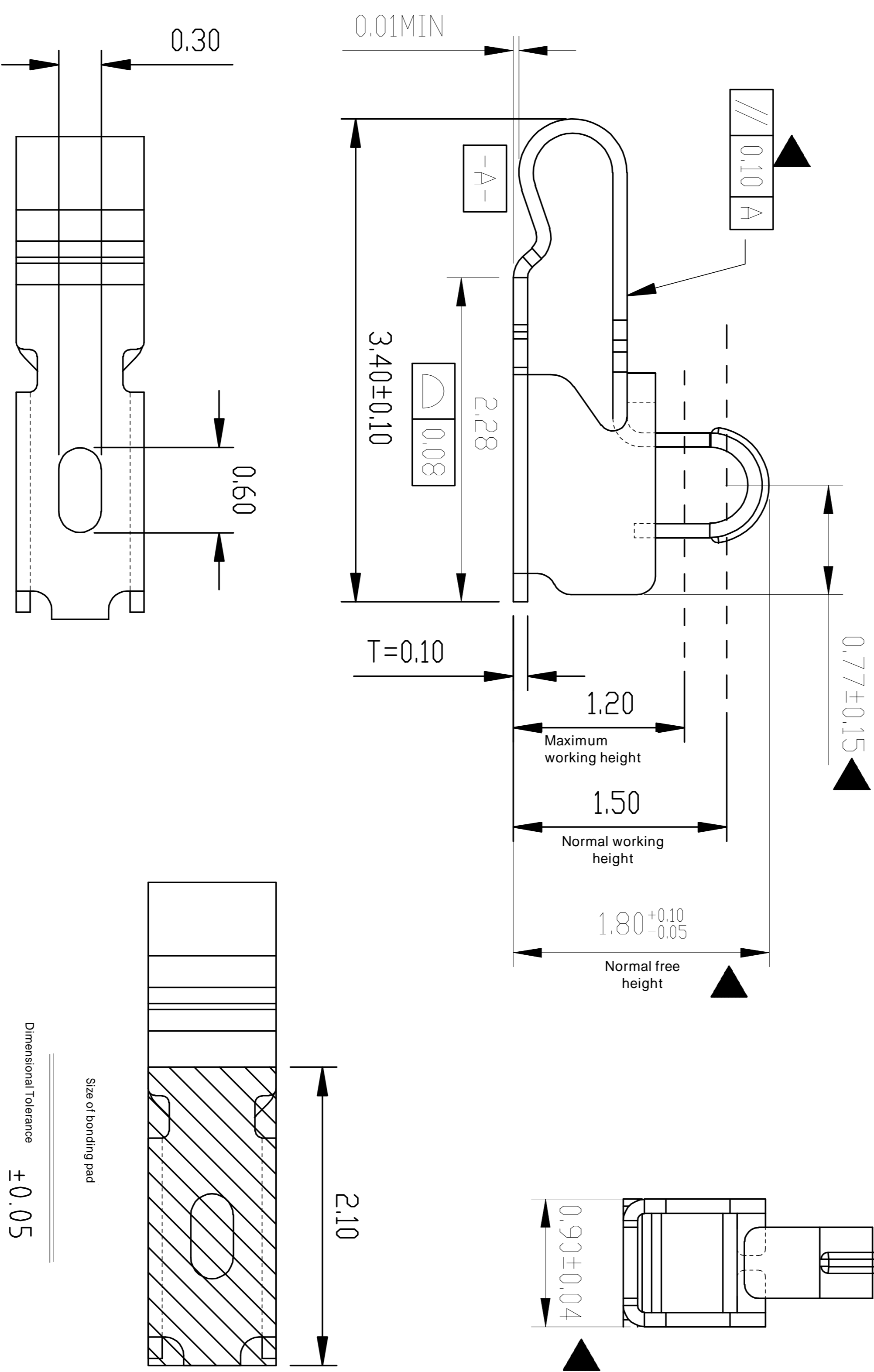
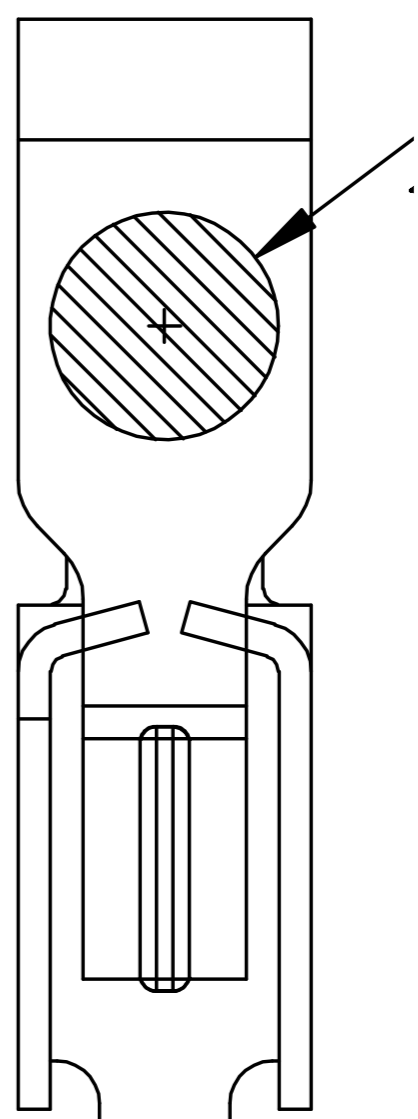
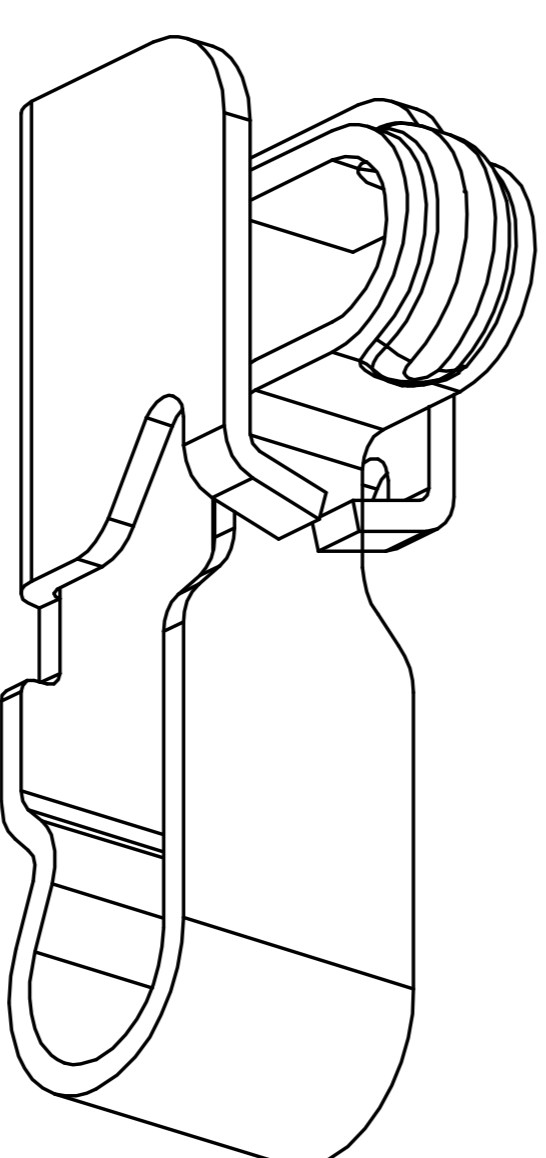
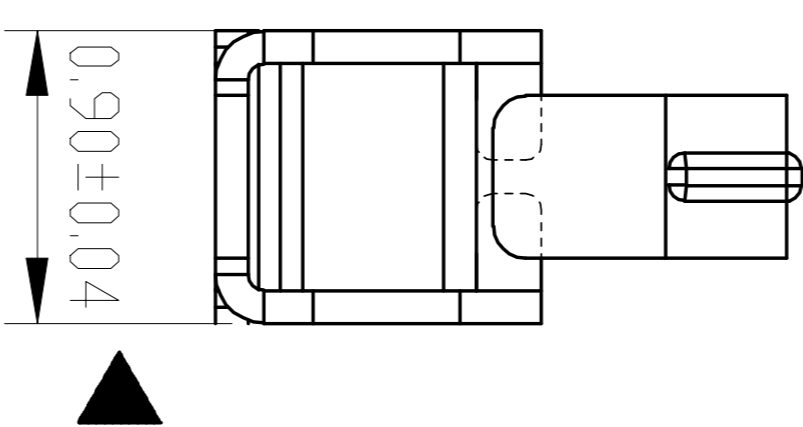
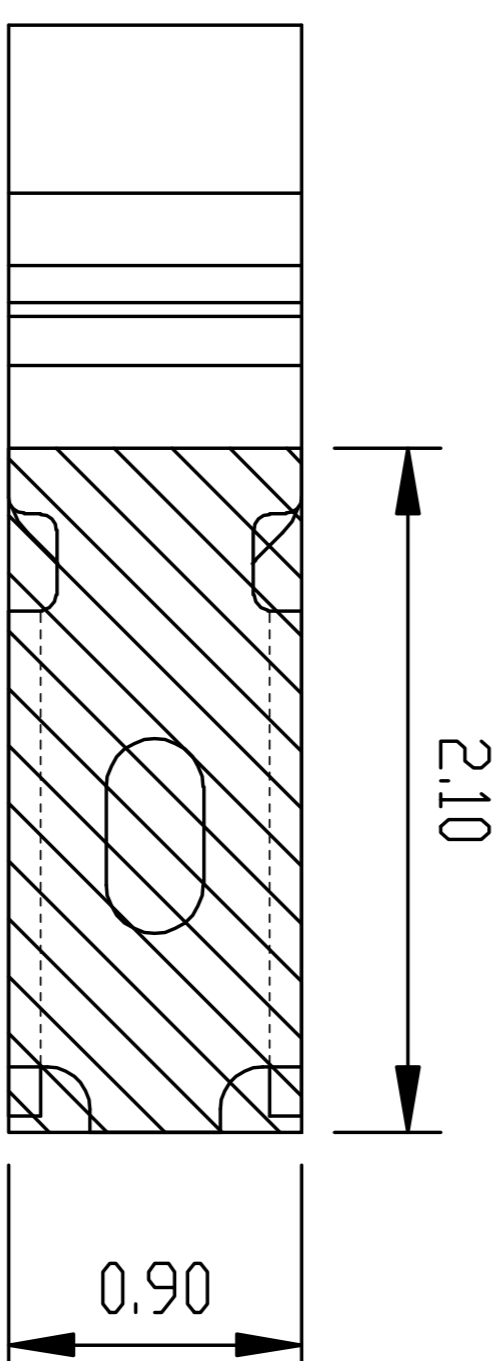


Sucker position



Size of bonding pad
Dimensional Tolerance ± 0.05



Specification

1. Material: stainless steel SUS304, $T = 0.01 \pm 0.005$;
- ▼ 2. The welding and contact surfaces of the Tin terminal shall be free of burrs, and the maximum size of burrs in other parts shall be 0.03mm;
3. Twisting: $45^\circ / 1000\text{mm}$, arch 5mm/1000mm;
4. Dimensions marked with "▼" shall be measured and inspected with emphasis;
5. Unmarked R Max R0.13;
6. Electroplating must be inspected by 48-hour salt spray test;
7. Life test > 20000 times The elasticity of the product shall be between 60gf and 80gf as required.
8. Ni 50~80u"min, soldering area gold-plating, contact area gold plating 1U"MIN

Rev.	ECN Number	Description	Date	Drawn	Checked	Approved

SHENZHEN KINGHELM ELECTRONIC CO., LTD.
WWW.BDS666.COM
Model : KH-340918-TP
0755-83044319

GENERAL TOLERANCE	
XX. ± 0.50	
X. ± 0.35	X.° $\pm 2.0^\circ$
.X ± 0.25	.X° $\pm 1.0^\circ$
.XX ± 0.15	.XX° $\pm 0.5^\circ$

SCALE:	1:1
UNIT:	mm
SIZE:	A4

DRAWN	CHECK	APPROVE	DATE

DWG. NO.	PARTS NO.(INTENDED USE)
681-0033A-1	JXH0033A1

TITLE
Customer's drawing
RF Antenna Spring, SMT,
L3.40*W0.9*H1.8mm

REV.	SHEET
A	1/1