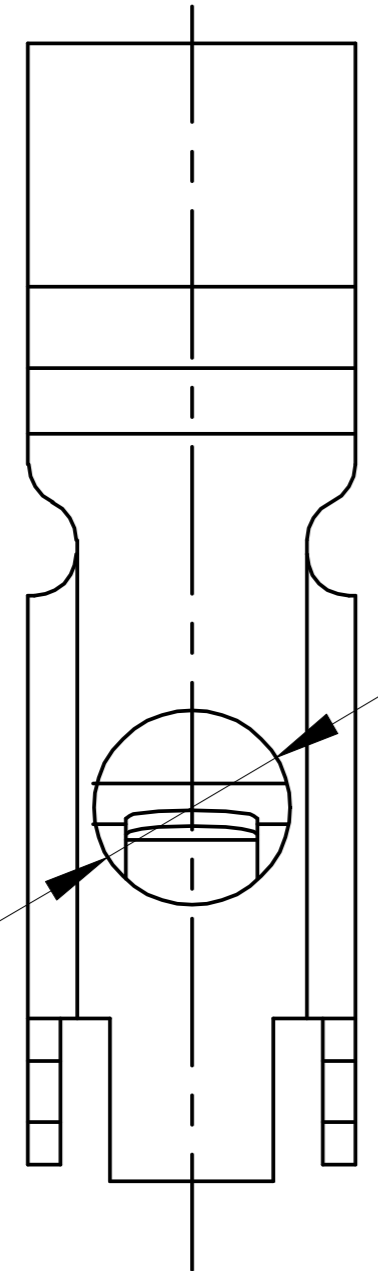
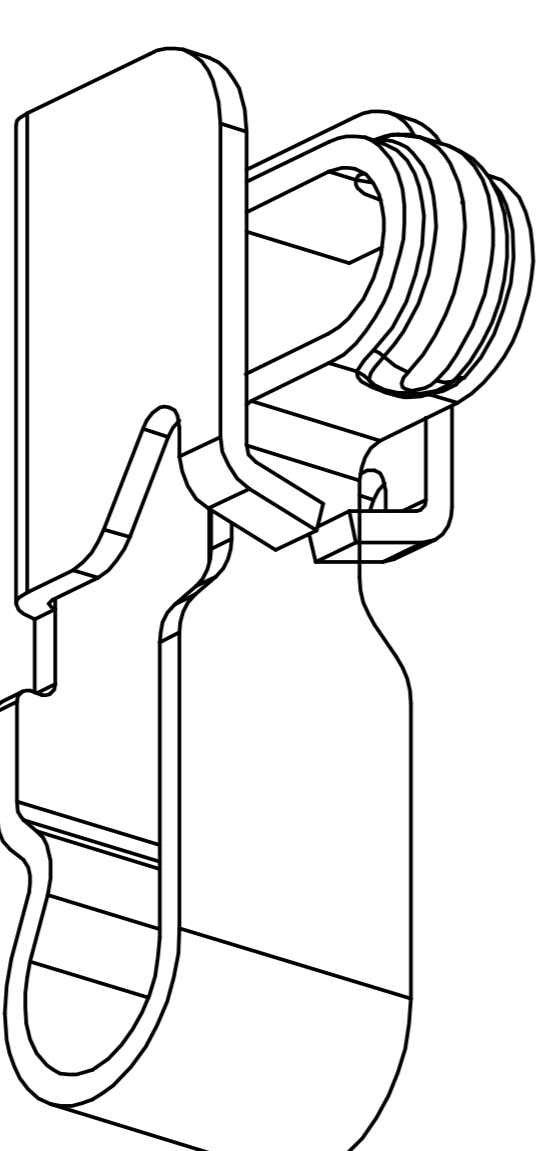
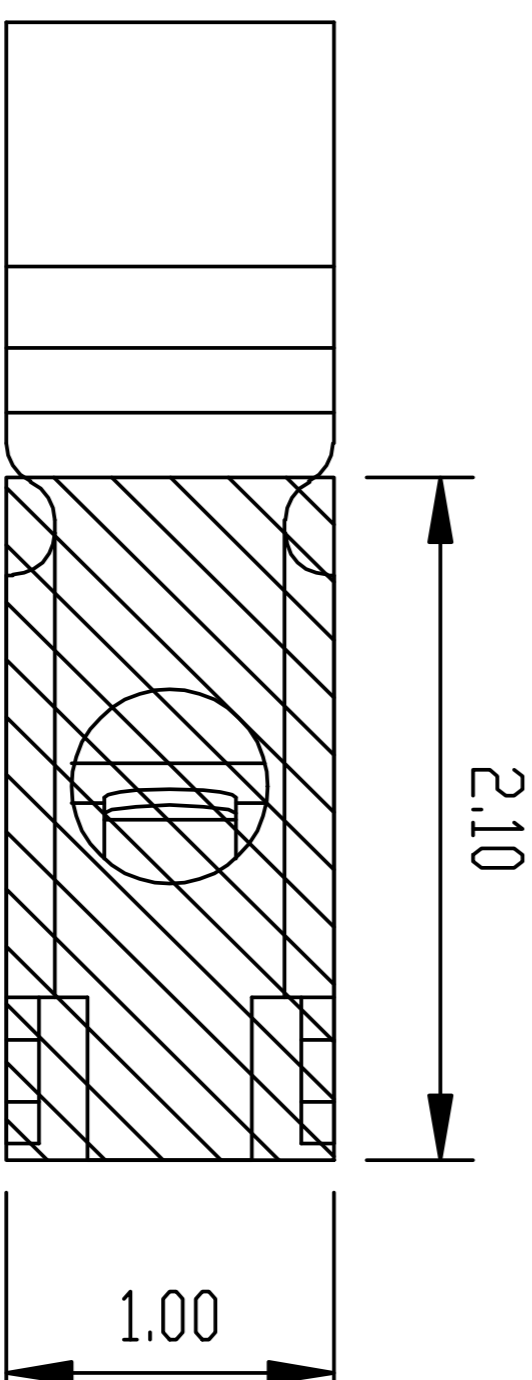
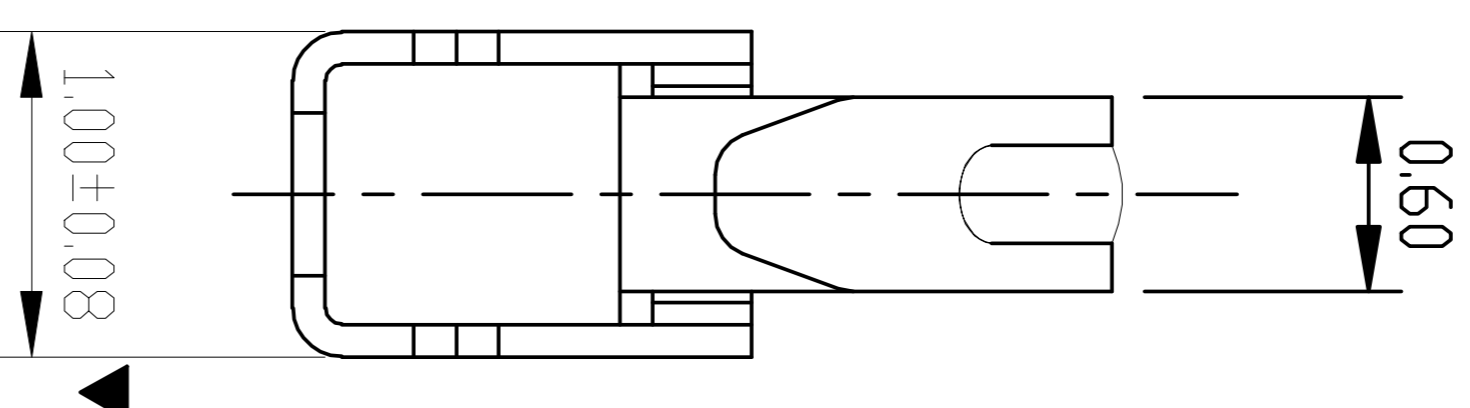
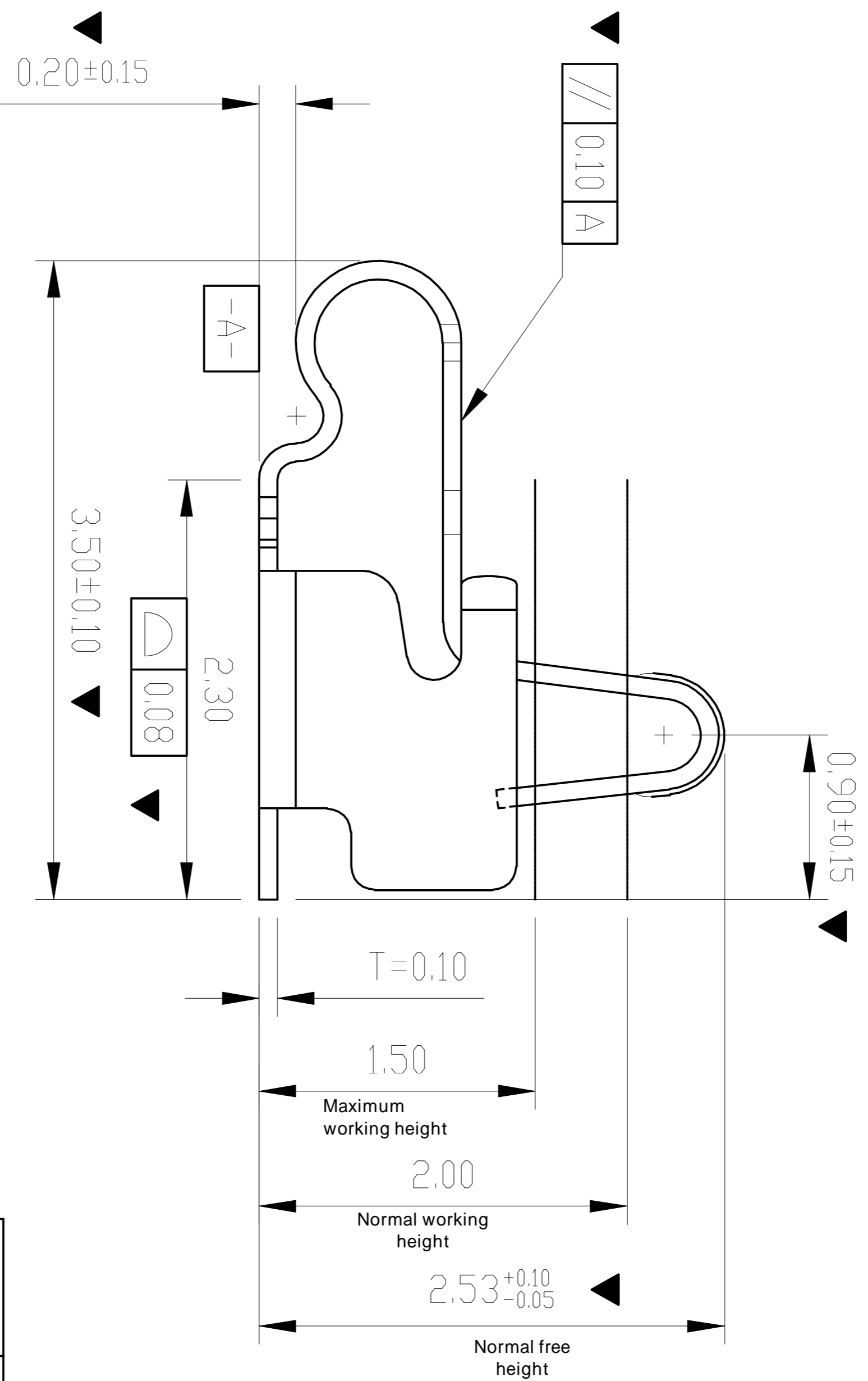
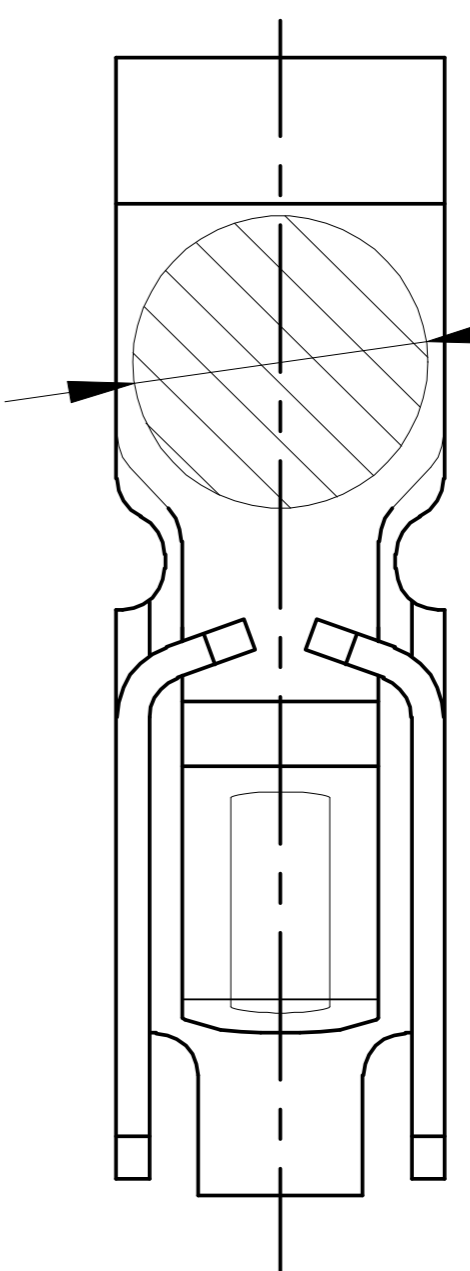


∅0.90 PICK UP AREA



Dimensional Tolerance ±0.05

## Specification

1. Material: stainless steel SUS304, T = 0.10 ± 0.005;
- ▼ 2. The welding and contact surfaces of the Tin terminal shall be free of burrs, and the maximum size of burrs in other parts shall be 0.03mm;
3. Twisting: 45 ° / 1000mm, arch 5mm/1000mm;
4. Dimensions marked with "▼" shall be measured and inspected with emphasis;
5. Unmarked R Max R0.13;
6. Electroplating must be inspected by 48-hour salt spray test;
7. Life test > 20000 times The elasticity of the product shall be between 60gf and 80gf as required.
8. Ni 50-80u"min, soldering area gold-plating, contact area gold plating3U"MIN

Rev.	ECN Number	Description	Date	Drawn	Checked	Approved

SHENZHEN KINGHELM ELECTRONIC CO., LTD.		SCALE: 1:1		DRAWN		DATE		DWG. NO.		TITLE		REV.	
WWW.BDS666.COM		XX. ±0.50		CHECK		DATE		681-0032A-1		Customer's drawing		A	
Model : KH-351025-TP		X. ±0.35		APPROVE		DATE		PARTS NO.(INTENDED USE)		RF Antenna Spring, SMT,		SHEET	
0755-83044319		X. ±0.25						JXH0032A1		L3.5*W1.0*H2.5mm		1/1	
		.XX ±0.15											
		X. ° ±2.0°											
		.X ±1.0°											
		.XX ±0.5°											