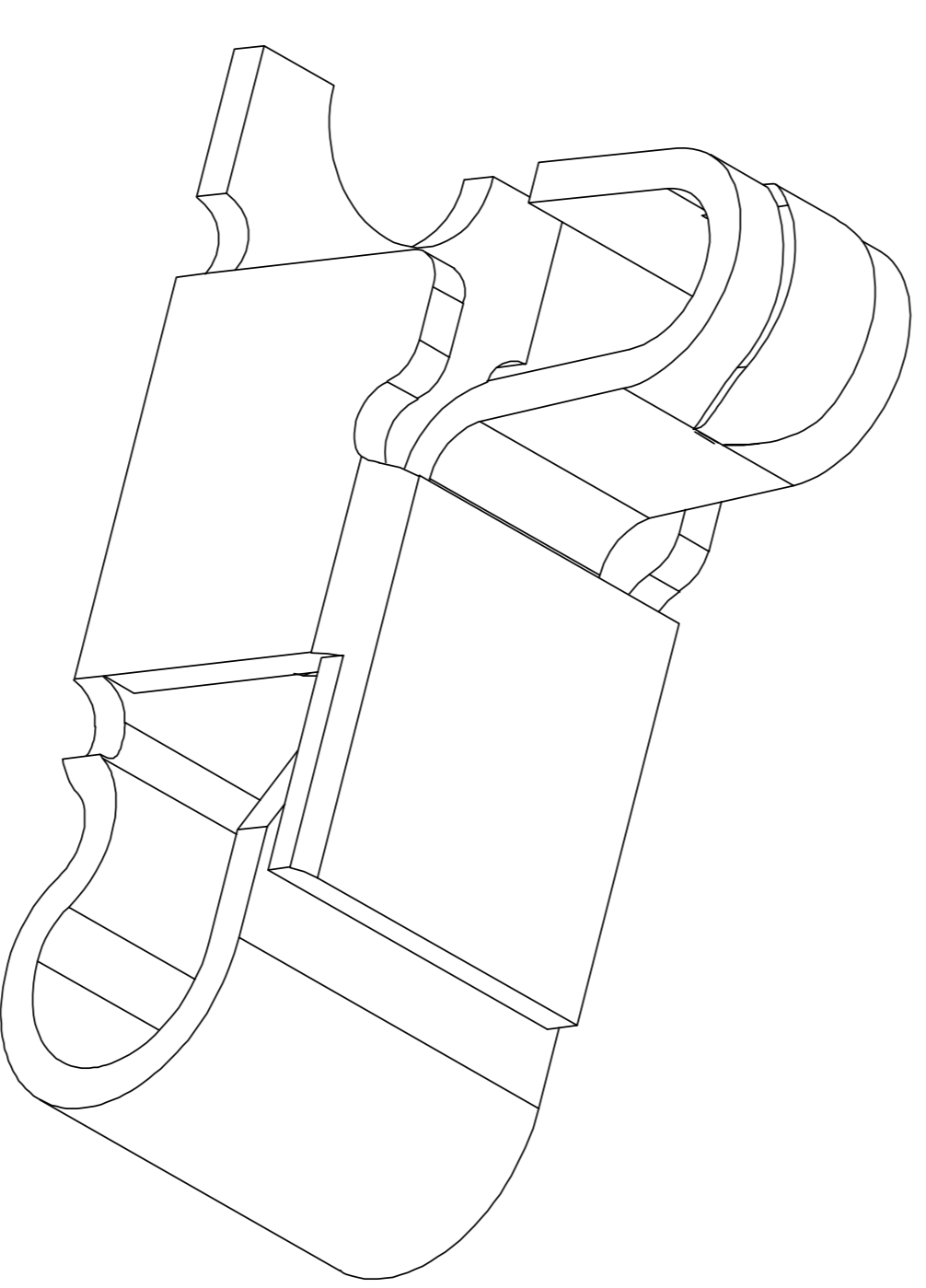
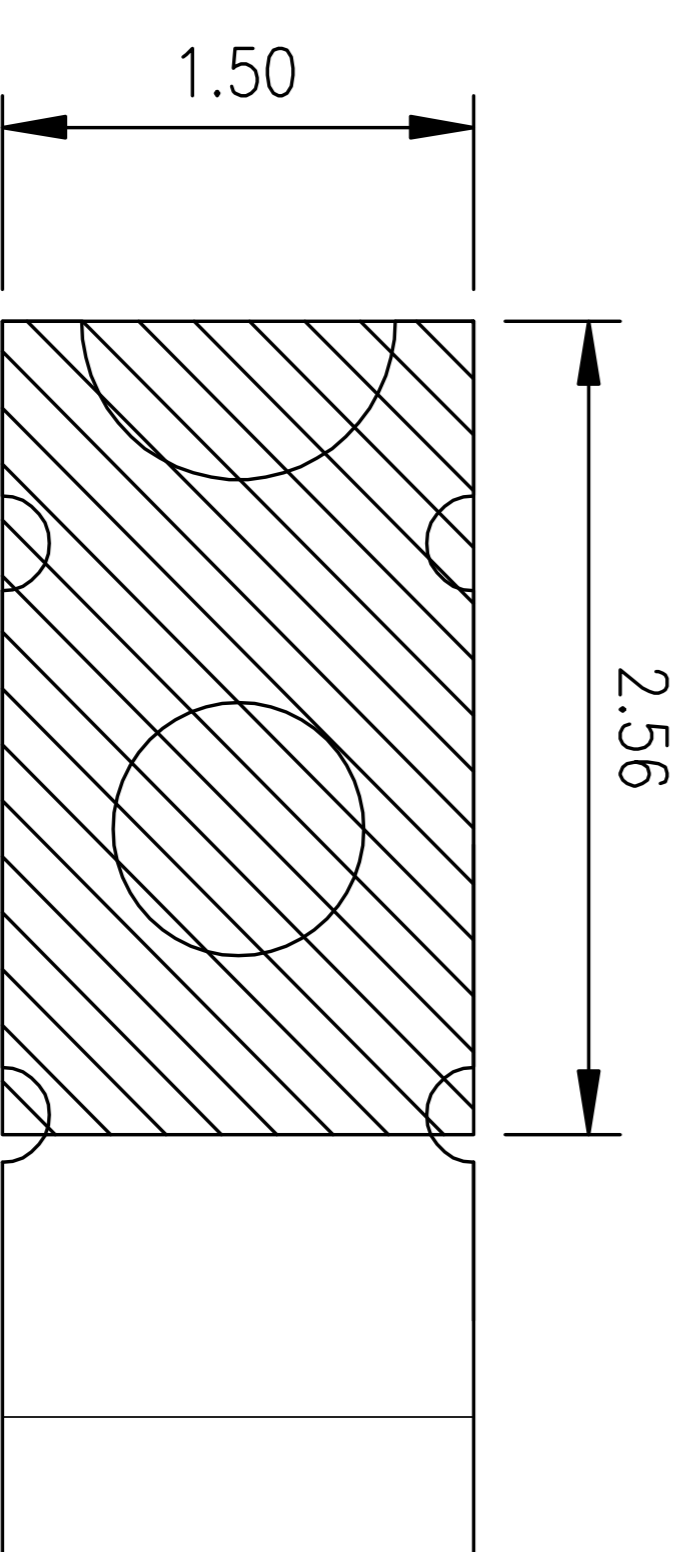
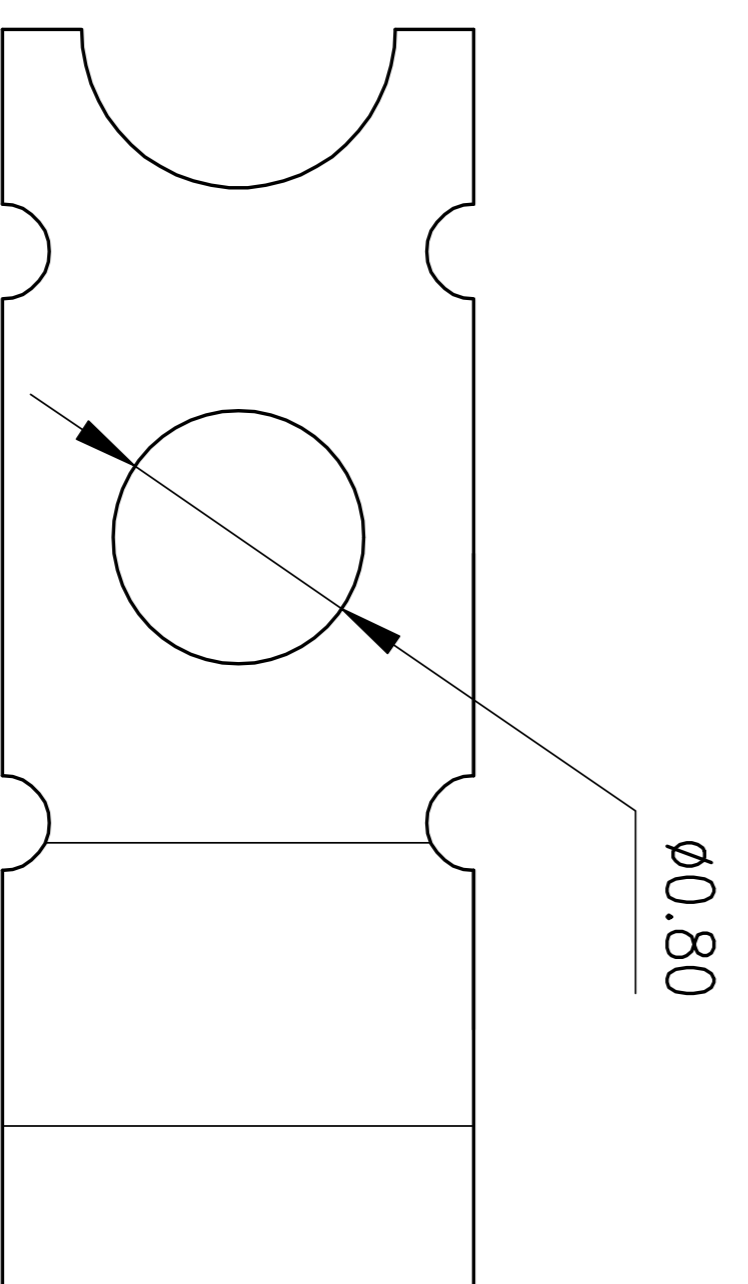
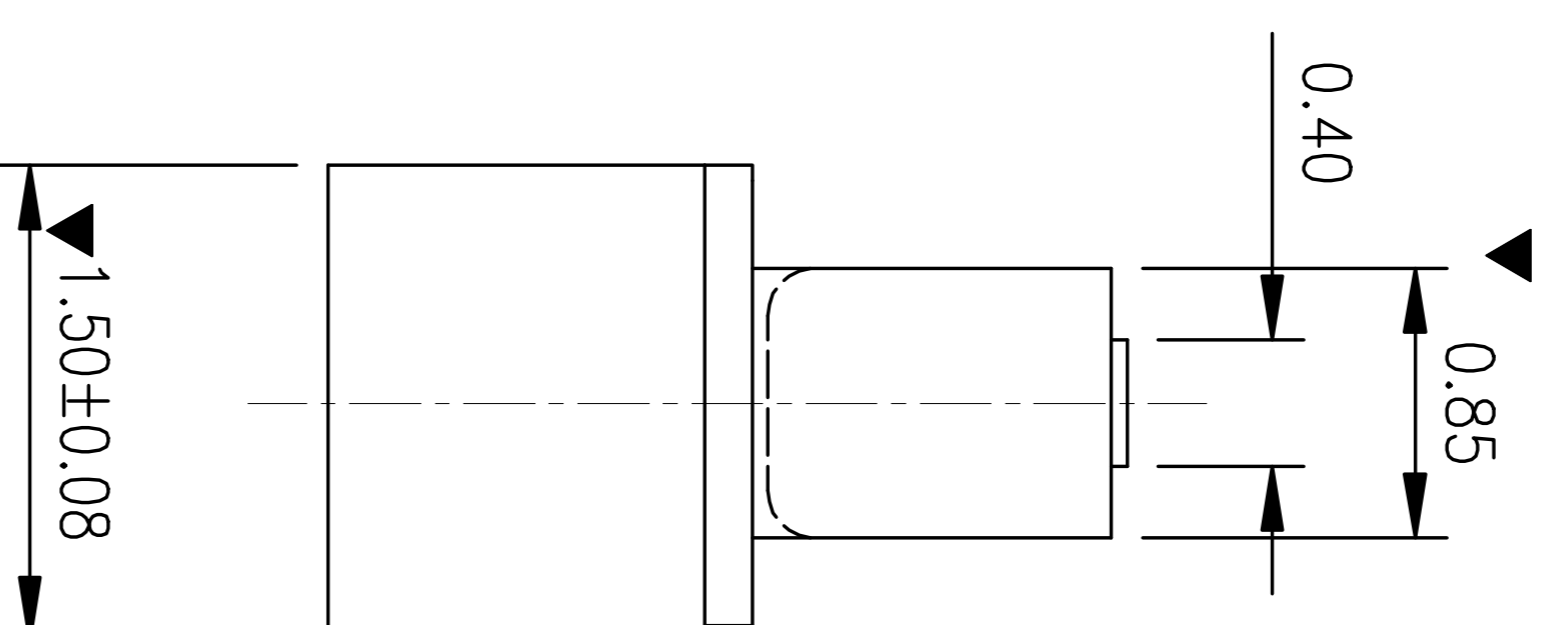
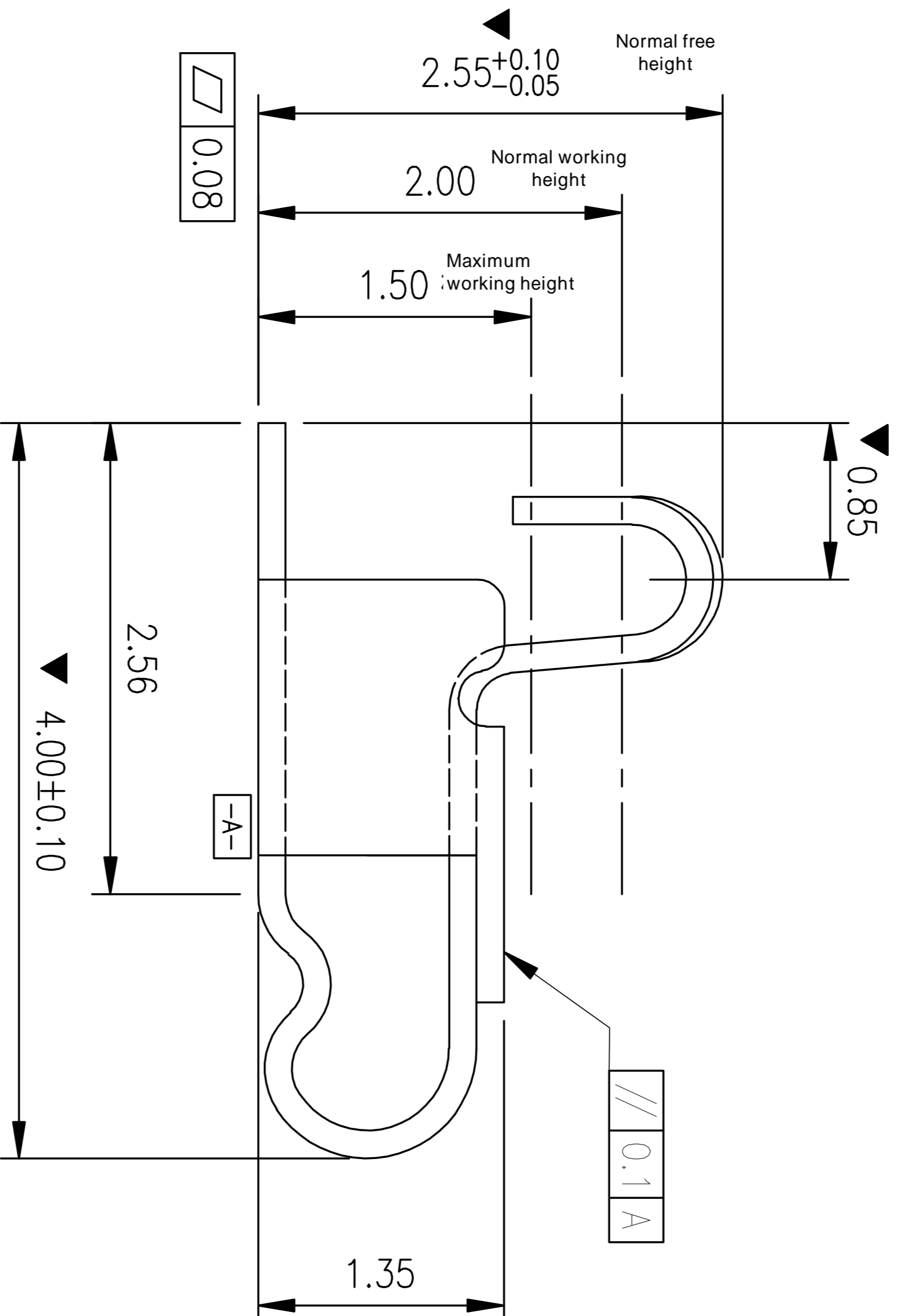
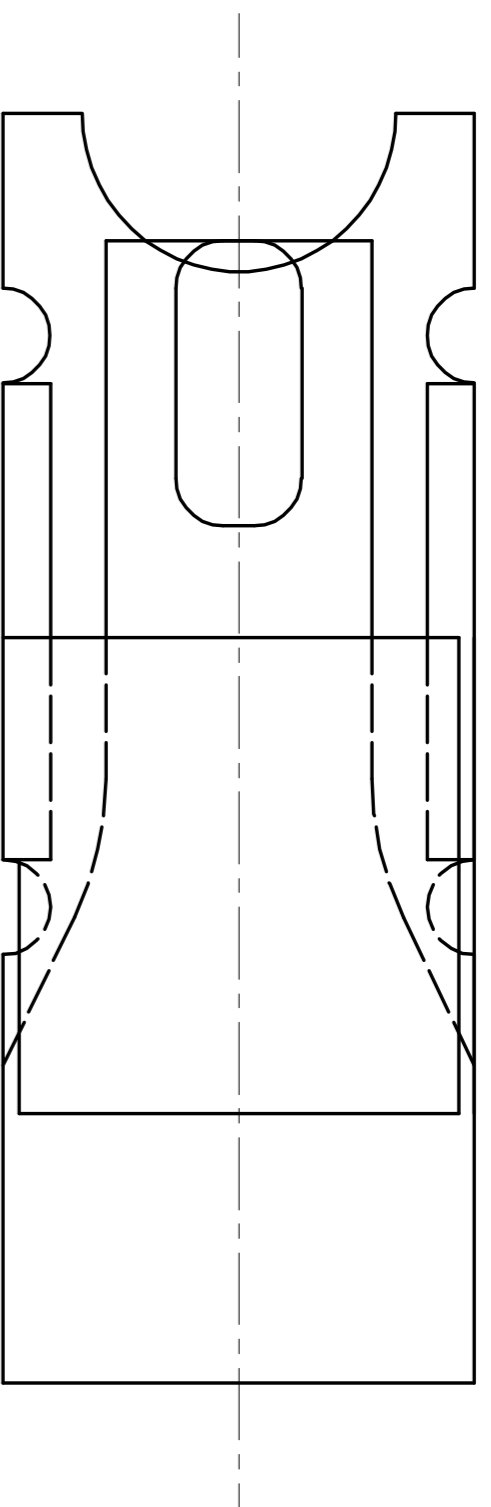


Rev.	ECN Number	Description	Date	Drawn	Checked	Approved

### Specification

1. Material: stainless steel SUS301,  $t = 0.15 \pm 0.005$ ;
- ▼ 2. The welding and contact surfaces of the Tin terminal shall be free of burrs, and the maximum size of burrs in other parts shall be 0.03mm;
3. Twisting:  $45^\circ / 1000\text{mm}$ , arch 5mm/1000mm;
4. Dimensions marked with "▼" shall be measured and inspected with emphasis;
5. Unmarked R Max R0 13;
6. Electroplating must be inspected by 48-hour salt spray test;
7. Life test > 20000 times The elasticity of the product shall be between 60gf and 80gf as required.
8. Ni 50~80u"min, soldering area gold-plating, contact area gold plating|U"MIN



Size of bonding pad  
Dimensional Tolerance  $\pm 0.05$

SHENZHEN KINGHELM ELECTRONIC CO., LTD.  
WWW.BDSS666.COM  
Model : KH-401525-TP  
0755-83044319

GENERAL TOLERANCE	
XX. $\pm 0.50$	X.° $\pm 2.0^\circ$
X. $\pm 0.35$	.X.° $\pm 1.0^\circ$
.X $\pm 0.25$	.XX $\pm 0.15$

SCALE: 1:1  
UNIT: mm  
SIZE: A4

DRAWN	CHECK	APPROVE

DATE	DATE	DATE

DWG. NO.	TITLE	REV.
681-0098A-2	Customer's drawing	A
PARTS NO.(INTENDED USE) JXH0098A2	RF Antenna Spring,SMT, L4.0*W1.5*H2.55mm	SHEET 1/1