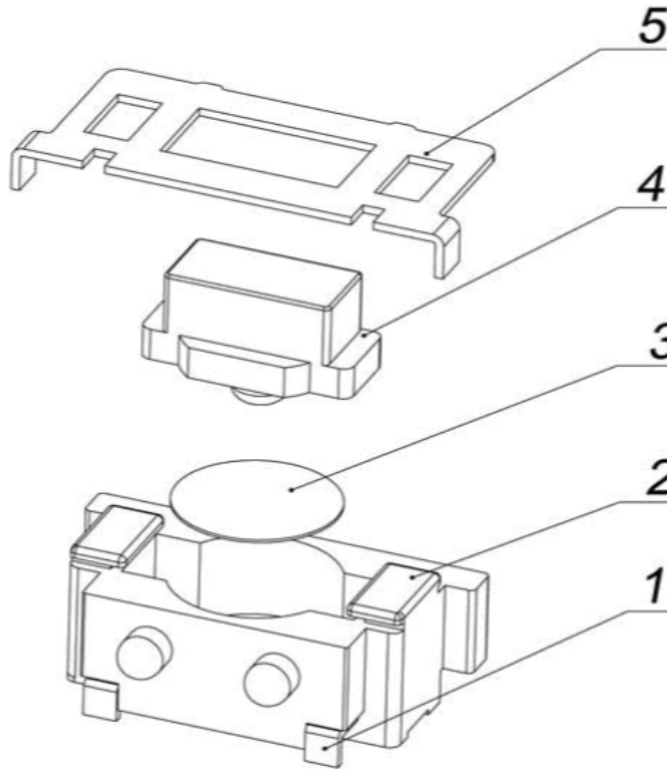
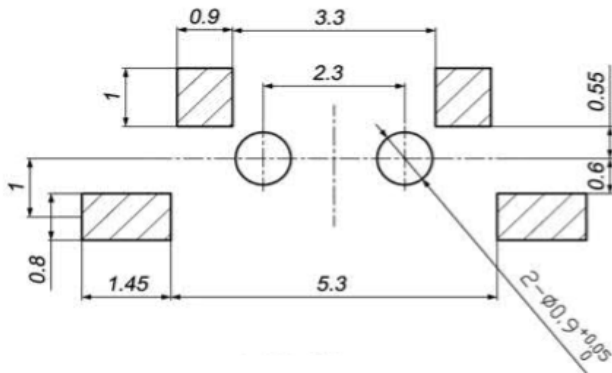


SCHMATIC



- 1. Rating: DC12V 50mA.
- 2. Travel: 0.25±0.1mm.
- 3. Operating Force: ____±30gf.
- 4. Contact Resistance: 50mΩMax.
- 5. Life: 50,000 Cycles Min.



Recommended P.C.B layout

5	Cover plate	Brass	—	Silver-plating
4	Button	PPA	White	—
3	Flexible Piece	Stainless Steel	—	—
2	Base	LCP	White	—
1	Inserts	Brass	—	Silver-plating

NO.	DESCRIPTION	MATERIAL	COLOR	REMARK
SHENZHEN KINGHELM ELECTRONIC CO., LTD.				WWW.BDS666.COM
KH-3635-CAJ			0755-83044319	
CUSTOMER COPY	TITLE: 3*6 Tact Switch-Drawing			

PO	01/06/04	NEW			Angle	±2'	DRAW			TYPE NO.	TST3635				
					30~	±0.5	DESIGN			PART NO.(OLD)					
					10~30	±0.3	CHECK			DRAWING NO.					
					~ 10	±0.15	APPRO.			SCALE	5:1	UNIT	mm	A4	
ECN(DCN) NO.	REV	DATE	DESCRIPTION	CHANGE	APPRO.	GENERAL TOLERANCE UNLESS OTHERWISE NOTED	APPRO.								