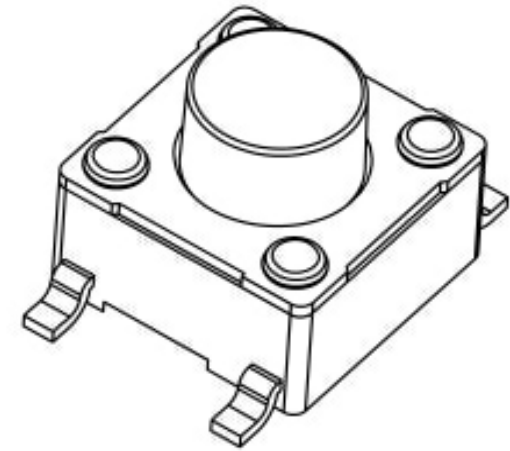
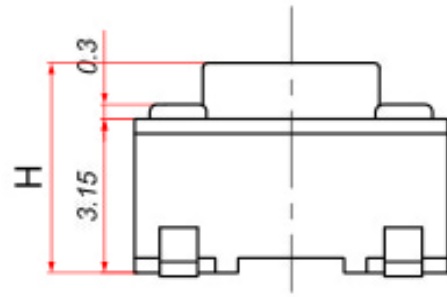
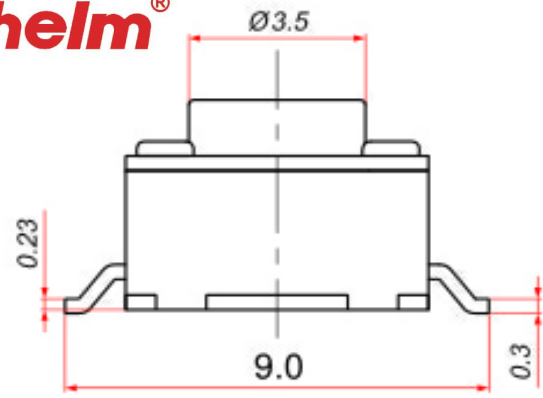
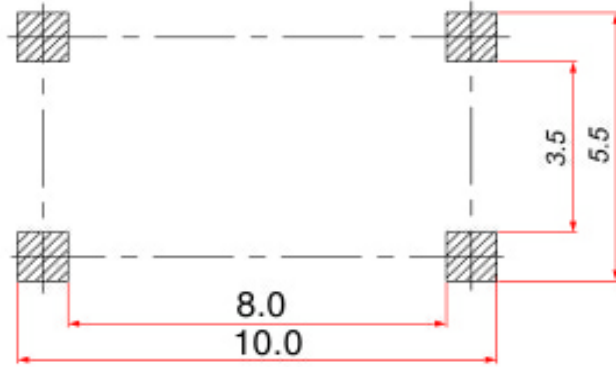
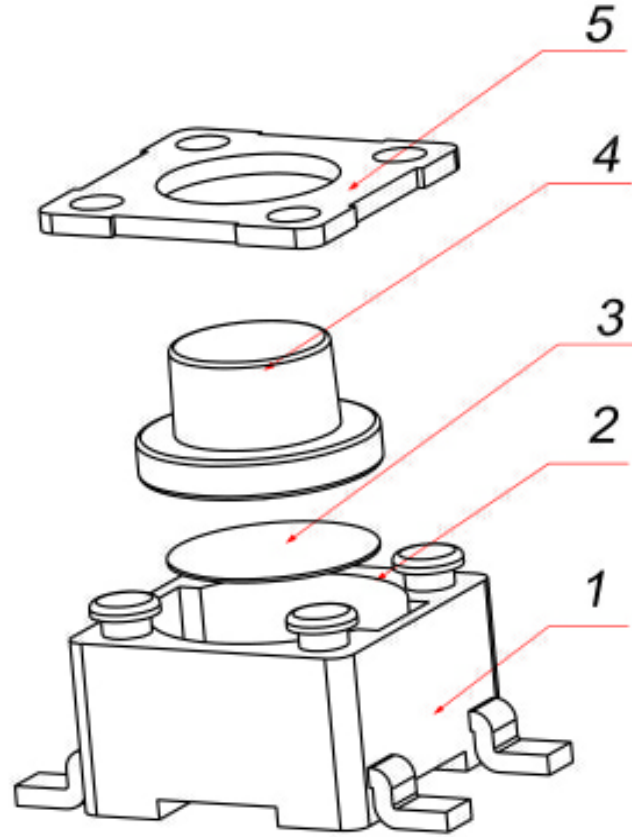
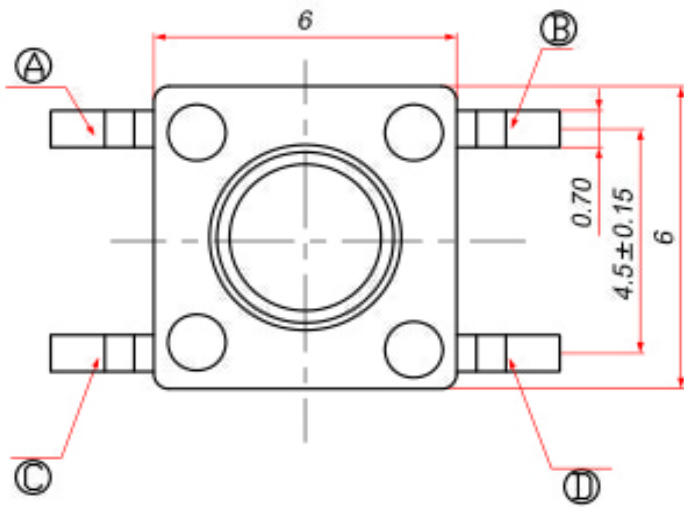


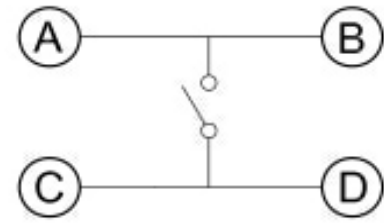
Size range	Unspecified Tolerance
0~3	±0.1
3~6	±0.15
6~9	±0.2
9~12	±0.25
12~15	±0.3



- 1. Rating: DC12V 50mA.
- 2. Travel: 0.3 ± 0.1mm.
- 3. Operating Force: 250/180 ± 30gf
- 4. Contact Resistance: 50mΩ Max.
- 5. Life: 80,000 Cycles Min.



Recommended P.C.B layout



SCHEMATIC

NO.	DESCRIPTION	MATERIAL	COLOR	REMARK
5	Cover plate	Iron	—	Cu-electroplated Tin
4	Button	PPA	Black/White	
3	Flexible Piece	Silver coating	—	Imported
2	Base	PPA	Black	
1	Inserts	Brass	—	Silver-plating

NO.	DESCRIPTION	MATERIAL	COLOR	REMARK
SHENZHEN KINGHELM ELECTRONIC CO., LTD.		WWW.BDS666.COM		
KH-6X6X11H-STM		0755-83044319		
CUSTOMER COPY	TITLE: 6*6 SMD TACT SWITCH			

ECN(DCN) NO.	REV	DATE	DESCRIPTION	CHANGE	APPRO.	GENERAL TOLERANCE UNLESS OTHERWISE NOTED	APPRO.
	PA	07/12/29					

DRAW				TYPE NO.	RS6647WA-LF				
DESIGN				PART NO.(OLD)					
CHECH				DRAWING NO.	A Status Code				
APPRO.				SCALE	5:1	UNIT	mm	A4	