

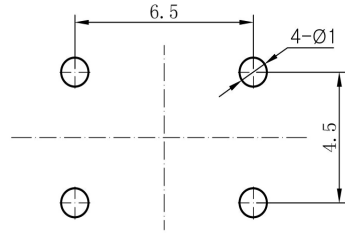
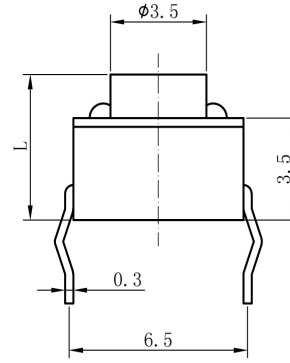
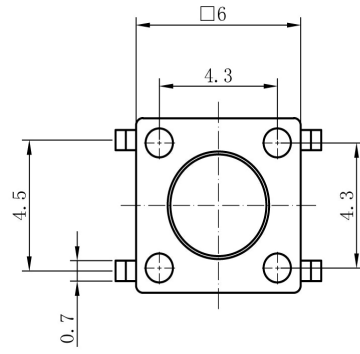
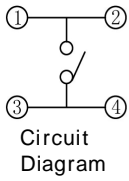
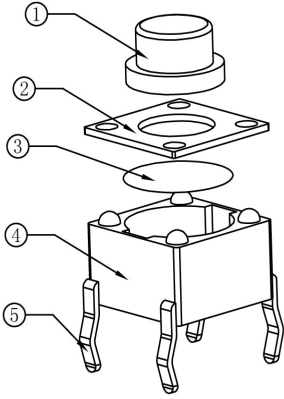
Product specifications

Date : 2016.05.28

Product name: Tact Switch

Model : KH-6X6X8H-TJ

Dimension : 6*6* 8



Installation diagram of PCB circuit board(±0.1)

Technical Specifications :

1. Practical temperature: -25~+85
2. Rating: DC 120V 0.1A
3. Contact Resistance: 30m
4. Insulation Resistance: 100m
5. Withstand Voltage: AC250V (50Hz)/min
6. Operating force: 260g±30
7. Service Life: 100000 times
8. Height L and sizes can be optional as required by customers
9. The unspecified dimensional tolerance shall be in accordance with the table in the lower left corner

| | | |
|----|------------------|------|
| 29 | SH-TS-0128-00-29 | 26.0 |
| 28 | SH-TS-0128-00-28 | 24.0 |
| 27 | SH-TS-0128-00-27 | 22.0 |
| 26 | SH-TS-0128-00-26 | 21.0 |
| 25 | SH-TS-0128-00-25 | 20.0 |
| 24 | SH-TS-0128-00-24 | 19.0 |
| 23 | SH-TS-0128-00-23 | 18.0 |
| 22 | SH-TS-0128-00-22 | 17.0 |
| 21 | SH-TS-0128-00-21 | 16.0 |
| 20 | SH-TS-0128-00-20 | 15.0 |
| 19 | SH-TS-0128-00-19 | 14.0 |
| 18 | SH-TS-0128-00-18 | 13.0 |
| 17 | SH-TS-0128-00-17 | 12.5 |
| 16 | SH-TS-0128-00-16 | 12.0 |
| 15 | SH-TS-0128-00-15 | 11.0 |
| 14 | SH-TS-0128-00-14 | 10.5 |
| 13 | SH-TS-0128-00-13 | 10.0 |
| 12 | SH-TS-0128-00-12 | 9.5 |
| 11 | SH-TS-0128-00-11 | 9.0 |
| 10 | SH-TS-0128-00-10 | 8.5 |
| 9 | SH-TS-0128-00-09 | 8.0 |
| 8 | SH-TS-0128-00-08 | 7.5 |
| 7 | SH-TS-0128-00-07 | 7.0 |
| 6 | SH-TS-0128-00-06 | 6.5 |
| 5 | SH-TS-0128-00-05 | 6.0 |
| 4 | SH-TS-0128-00-04 | 5.5 |
| 3 | SH-TS-0128-00-03 | 5.0 |
| 2 | SH-TS-0128-00-02 | 4.5 |
| 1 | SH-TS-0128-00-01 | 4.3 |

| | | |
|---|----------|---------------|
| N | Part NO. | Height L (mm) |
| O | | |

| Unspecified tolerance (±) | | | |
|---------------------------|------|------|------|
| Grade | A | B | C |
| 0~4 | 0.03 | 0.10 | 0.20 |
| 4~16 | 0.08 | 0.15 | 0.30 |
| 16~64 | 0.12 | 0.25 | 0.50 |
| 64~250 | 0.25 | 0.40 | 0.80 |

| No. | Name | Part No. | Quantity | Materials | Remark | Approval |
|-----|-------------|------------------|----------|-------------------------------|--------------|-----------------|
| 5 | Inserts | SH-TS-0128-05-00 | 1 | PAG6 BLACK | | Designed |
| 4 | Base | SH-TS-0128-04-00 | 1 | Silver Steel Belt T=0.1 | | Checked |
| 3 | Reed | SH-TS-0128-03-00 | 1 | Cold rolled steel strip T=0.3 | Cu/ep.Cu/Sm2 | Craft |
| 2 | Cover plate | SH-TS-0128-02-00 | 1 | PAG6 BLACK | | Standardization |
| 1 | Nuts | SH-TS-0128-01-00 | 1 | PAG6 BLACK | | |

SHENZHEN KINGHELM ELECTRONIC CO., LTD.

WWW.BDS666.COM

KH6X6X8H-TJ

0755-83044319

SH-TS-0128-00-00

| | | |
|------------|------------|-------|
| Stage Mark | Weight (g) | Scale |
| | | 5:1 |

| | |
|--------|-----------------|
| Page 1 | 1 page in total |
|--------|-----------------|

MODEL NO.

Tact Switch

ORGANIZER

HE JUNJU

AUDITING

LAI JIREN

AUTHORIZE

ZHANG SONGQIANG

1. RATING

:DC 12V 50mA

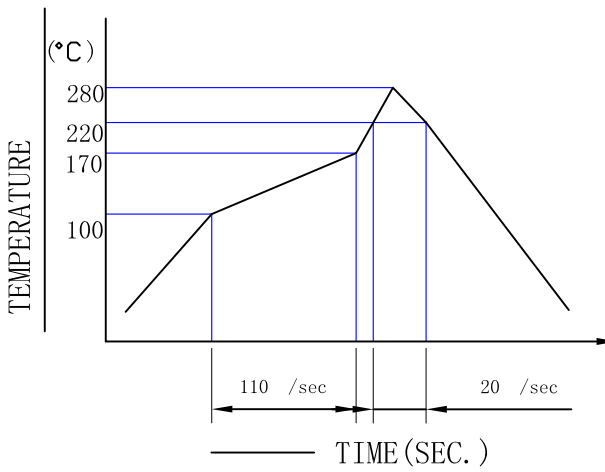
2. ELECTRICAL CHARACTERISTICS

| | ITEM | TEST CONDITIONS | PERFORMANCE |
|-----|-----------------------|--|--|
| 2.1 | CONTACT RESISTANCE | MEASURED AT SMALL CURRENT (100 mA OR LESS) | 30m Ω MAX |
| 2.2 | INSULATION RESISTANCE | <p>APPLY A VOLTAGE OF 100V DC FOR 1 MIN, TO FOLLOWING PORTIONS AFTER WHICH MEASUREMENT SHALL BE MADE.</p> <p>(1) BETWEEN BODY AND CONDUCTOR</p> <p>(2) BETWEEN CONDUCTORS NOT TO BE CONTACT.</p> | 100M Ω MIN |
| 2.3 | DIELECTRIC STRENGTH | <p>AC 250V (50-60Hz) FOR 1 MIN TRIP CURRENT: 0.5mA</p> <p>(1) BETWEEN TERMINALS.</p> <p>(2) BETWEEN INDIVIDUAL TERMINALS AND FRAME.</p> | WITHOUT DAMAGE TO PARTS ARCING OR BREAKDOWN ETC. |

3. MECHANICAL CHARACTERISTICS

| | ITEM | TEST CONDITIONS | PERFORMANCE |
|-----|-----------------------------|---|---|
| 3.1 | OPERATING FORCE | | PAY ONE'S RESPECTS TO THIRDLU PAGE |
| 3.2 | TERMINAL STRENGTH | A STATIC LOAD OF (150gf) SHALL BE APPLIED TO THE TIP OF THE TERMINAL FOR 1 MIN IN ANY DIRECTION | ELECTRICAL CHARACTERISTICS SHALL BE SATISFIED WITHOUT DAMAGE OR EXCESSIVE LOOSENESS OF ACTUATOR |
| 3.3 | PRACTICAL TEMPERATURE RANGE | Operate at - 25 - + 70 | |

| Kinghelm® | | DOCUMENT NUMBER | |
|---------------|---------------------------------|---|--|
| | | DATE | 2016/5/28 |
| SPECIFICATION | | PAGE | 5 pages in total, page 4 |
| ITEM | TEST CONDITIONS | | PERFORMANCE |
| 3.4 | STANDARD ATMOSPHERIC CONDITIONS | UNLESS OTHERWISE SPECIFIED. THE STANDARD RANGE OF ATMOSPHERIC CONDITIONS FOR MAKING MEASUREMENTS AND TESTS ARE AS FOLLOWS: (1) AMBIENT TEMPERATURE: 5°C TO 35°C (2) RELATIVE HUMIDITY: 45% TO 85% (3) AIR PRESSURE : 80Kpa TO 106Kpa | |
| 4. DURABILITY | | | |
| 4.1 | LIFE TEST | WITHOUT LOAD: AN ACTUATOR SHALL BE SUBJECT TO 100,000 CYCLES AT A SPEED OF 20 CYCLES FOR 1 MIN. | (1) CONTACT RESISTANCE SHALL BE 200mΩ MAX (2) MECHANICAL AND ELECTRICAL CHARACTERISTICS SHALL BE SATISFIED. |
| 4.2 | HEAT TEST | THE SWITCH SHALL BE STORED AT A TEMPERATURE OF 85±2°C FOR 96 HOURS . AND THEN IT SHALL BE SUBJECTED TO THE CONTROLLED RECOVERY CONDITIONS FOR 1 HOUR AFTER WHICH MEASUREMENT SHALL BE MADE. | THERE SHALL BE NO DAMAGE ON APPEARANCE. MECHANICAL AND ELECTRICAL CHARACTERISTICS SHALL BE SATISFIED. |
| 4.3 | COLD TEST | THE SWITCH SHALL BE STORED AT A TEMPERATURE OF -25±3°C FOR 96 HOURS . AND THEN IT SHALL BE SUBJECTED TO THE CONTROLLED RECOVER CONDITIONS FOR 1 HOURS AFTER WHICH MEASUREMENT SHALL BE MADE. | THERE SHALL BE NO DEFORMATION OR CRACKS IN MOLDED PART. |
| 4.4 | HOMIDITY TEST | THE SWITCH SHALL BE STORED AT A TEMPERATURE OF 40±2°C AND A HUMIFITY OF 90% TO 96% FOR 96 HOURS . THEN THE SWITCH SHALL BE MAINTAINED AT STANDARD ATMOSPHERIC CONDITION FOR 1 HR FOR OTHER PROCEDURES BE MADE. | |

| | ITEM ↓ | TEST CONDITIONS | PERFORMANCE |
|-----|----------------------|---|---|
| 4.5 | SOLDERING CONDITIONS | <p>HAND SOLDERING: (1) DEVICE: SOLDER IRON A. 350°C MAX . 3SEC MAX B. 270°C MAX . 5SEC MAX (2) REFLOW SOLDERING</p>  | THERE SHALL BE NO DEFORMATION OR CRACKS IN MOLDED PART. |

| | |
|-----------------|--|
| OPERATING FORCE | |
| 260 ± 30gf | |
| | |
| | |