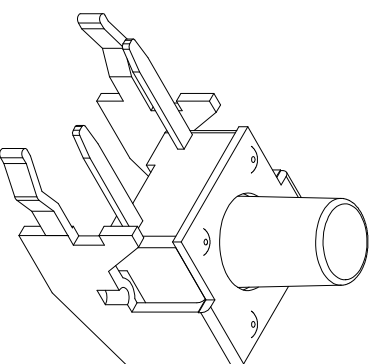
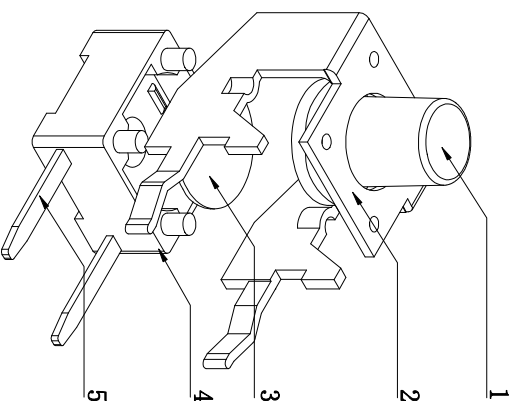


Height : 4.3 4.5 5 6.....21



ITEM	Technical Specifications
Press force	A: 130±30 gf B:160±30 gfC:250±30 gf
Stroke	0.25±0.1 mm
Life	Electrical Life ≥100,000 times
Exterior	No important injection molded defects and waste products
Withstand Voltage	250V / 1min. No flashover
Handle	The motion is flexible without jamming, and the press forces felt under the same specification and category are relatively consistent
Circuit Transformation	The electrical inspection ($\leq 8V, 0.15A$) shows that the circuit is under normal condition.
solderability	The tin bonding area is greater than 95% of the immersion area.
Protection level	—
Resistance to solder	260±5°C/5s, functional motion, circuit transformation and appearance are in good condition.
Insulation resistance	$\leq 30m\Omega$
Insulation resistance	$\geq 100M\Omega$
ROHS compliance	Execution compliant to customer's requirements
Proprietary technology	—

5	Terminal (Pins)	Brass	1	2500-01.001
4	Base SW-60	PA plastic	1	2500-01.002
3	5 Flexible Pieces	Phosphate/stainless steel	1	2500-01.003
2	Holder SW-6	Cold -rolled steel	1	2500-01.004
1	Lever SW-60	PA plastic	1	2500-01.005
NO.	Product name	Materials	Quantity	Drawing No.

SHENZHEN KINGHELM ELECTRONIC CO., LTD.		WWW.BDSS666.COM		Product Image	
KH-6X6X8H-ZJ		0755-83044319		Approval	

O/A	Issue	HE JUNJU	LAI JIREN	Quality control
Version No.	Revision history	Revised Order No.	Designed	Approval

1	2	3	4	5	6	7	8	9	10	11

X	±0.1	Project name	Tact Switch
XX	±0.05	P/N	
Angle	±0.5°	Part No.	
Page	1 OF 1	Unit:mm	Scale: 1:1

Paper A4	
----------	--