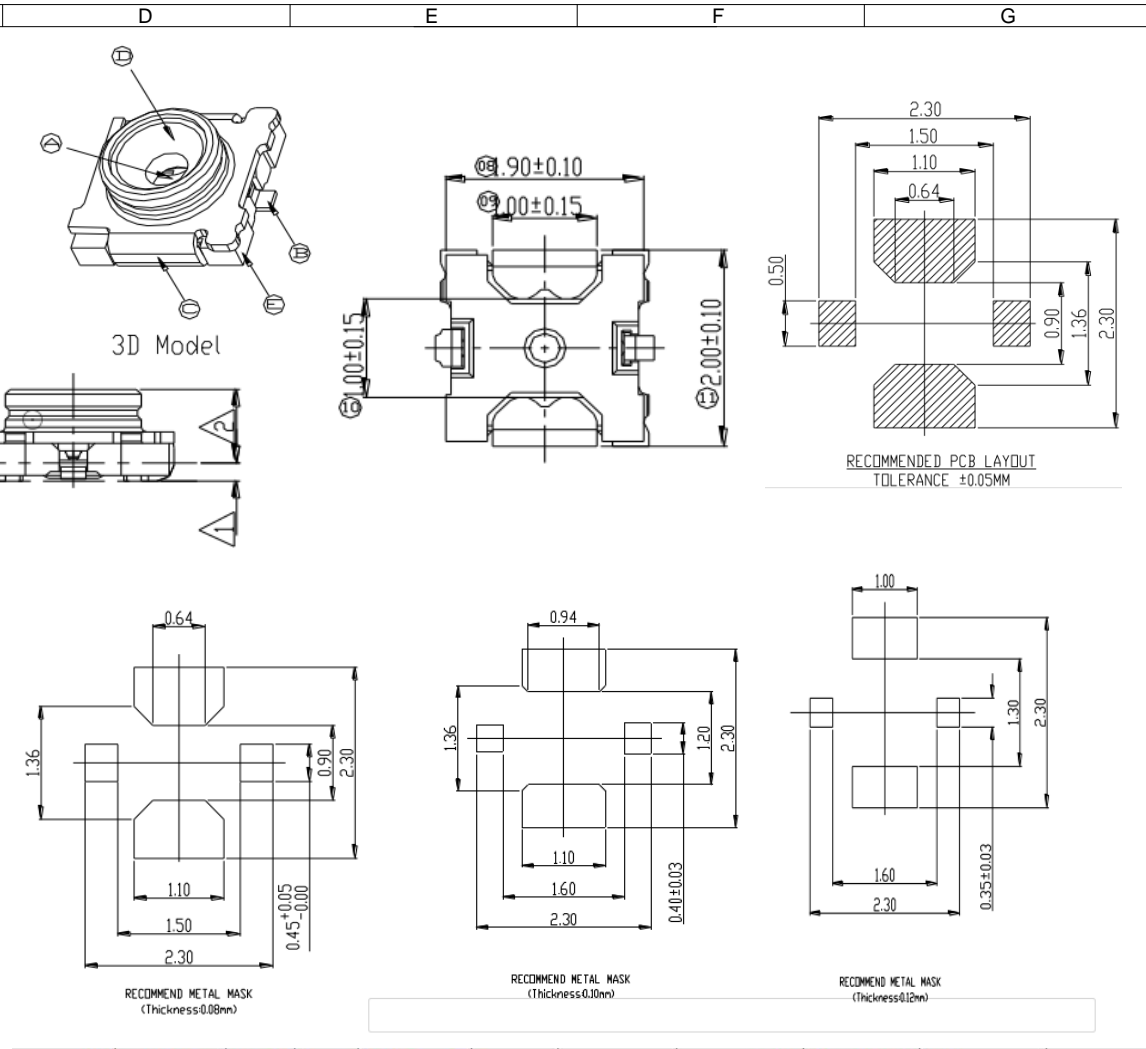
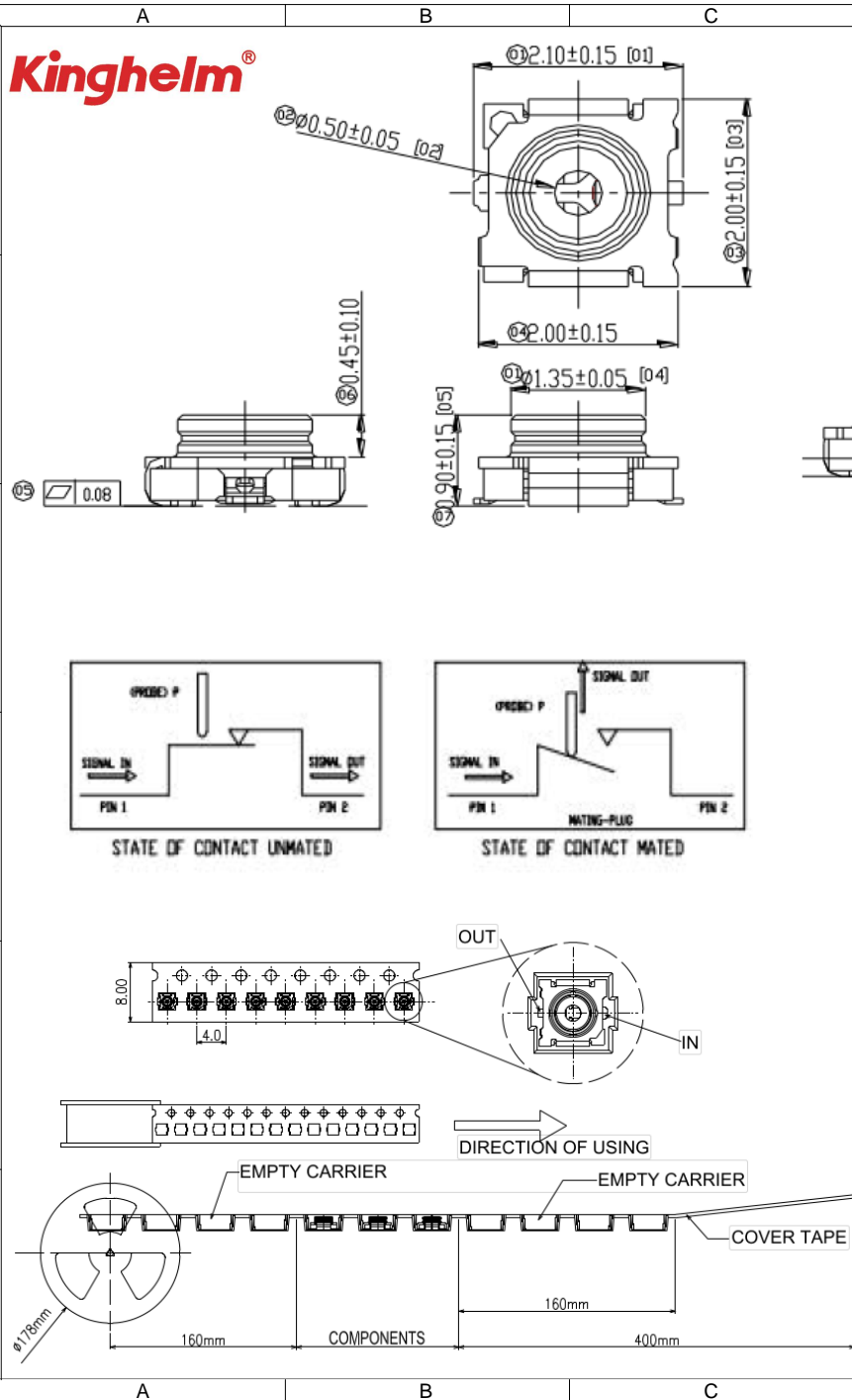


Kinghelm®



SHEN ZHEN KINGHELM ELECTRONIC CO., LTD.					WWW.BDS666.COM				
Model:KH-20210-3					0755-83044319				
Tolerance	X	± 0.30			CODE	2007201109	Part Number		
	XX	± 0.20			Product type	RF test block			
	X.XX	± 0.10			Model type	KH-20210-3			
Graphic Method	ANGULAR	$\varnothing 5 \sim$	Marks of Changes	Date	Changed by			Date	2020.07.20
			Scale	Paper	A4	Drawing		Date	2020.07.20
			Unit	MM	Version	A	Checked	Page	1/1