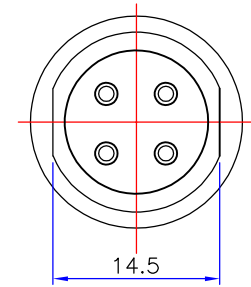
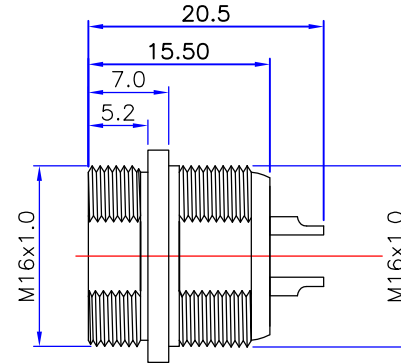
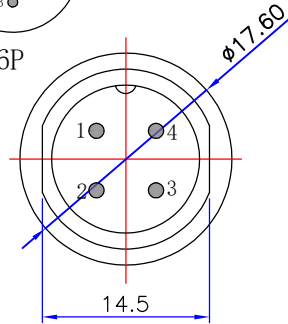
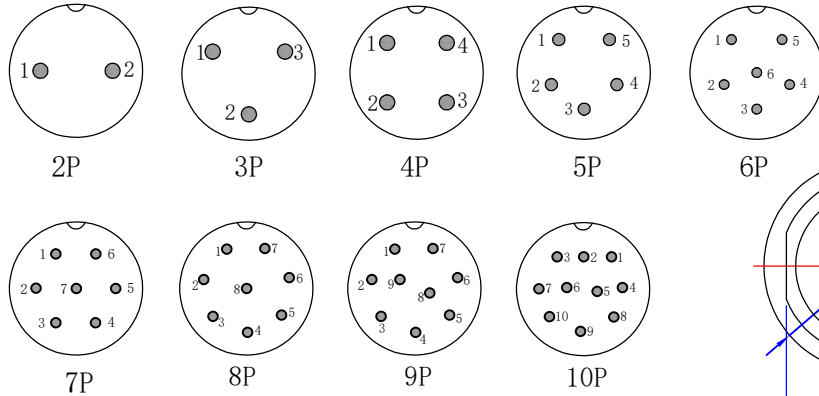


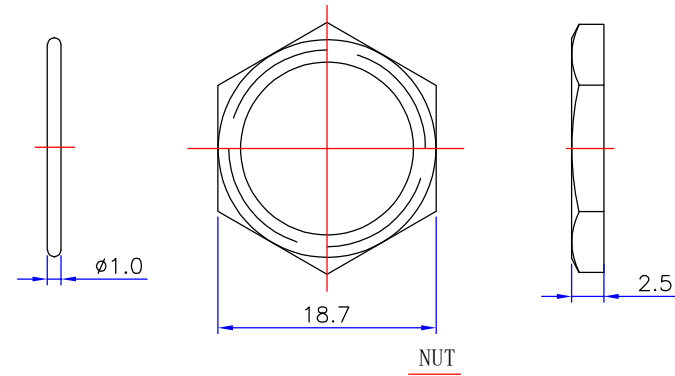
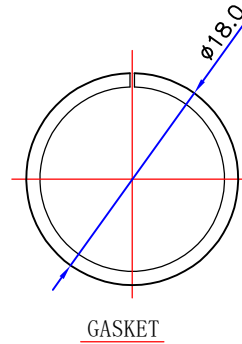
Kinghelm®

| ISSUE | DESCRIPTION | DWN | DATE | APPROVEN |
|-------|-------------|-------|------------|-----------|
| A | First issue | Gavin | 2022/06/15 | JIM. KING |



Material and specifications

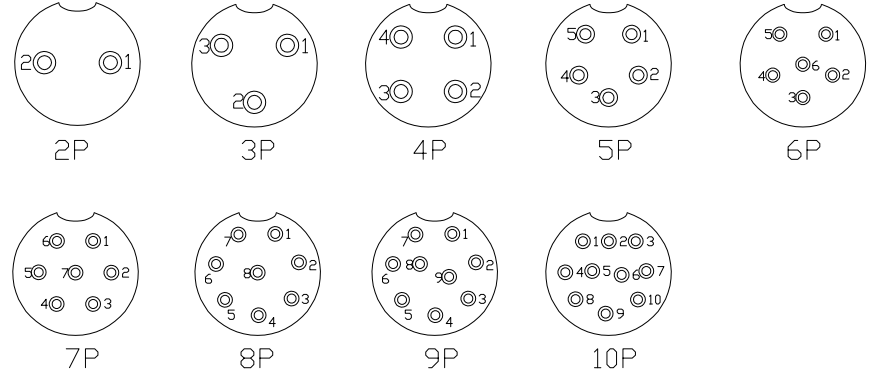
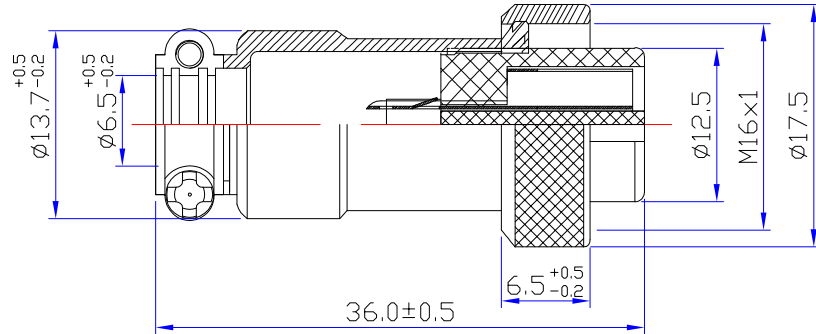
- Coupling Threaded coupling
- Shell material Zinc alloy with Nickel Plate
- Insert material bakelite
- Contact material copper Silver Plate/Nickel
- Termination Solder
- Mating cycle 500
- Cable diameter -20℃ +85℃



| Technology parameter | | | | | | | | | |
|---|------|------|------|------|------|------|------|------|------|
| NO.of contacts | 2 | 3 | 4 | 5 | 6 | 7 | 8 | 9 | 10 |
| Rated current (A) | 7 | 7 | 7 | 7 | 5 | 5 | 5 | 5 | 5 |
| Operation limit voltage(AC.V.rms) | 220 | 220 | 125 | 125 | 125 | 125 | 125 | 125 | 125 |
| Withstanding voltage(AC.V.rms) 1 minute | 1500 | 1500 | 1500 | 1500 | 1500 | 1500 | 1500 | 1500 | 1500 |
| Insulation resistance (mΩ) | 2000 | 2000 | 2000 | 2000 | 2000 | 2000 | 2000 | 2000 | 2000 |
| Contact resistance (mΩ) | 5 | 5 | 5 | 5 | 5 | 5 | 5 | 5 | 5 |
| Solder cup mouth aperture | ∅1.4 | ∅1.4 | ∅1.4 | ∅1.2 | ∅0.8 | ∅0.8 | ∅0.8 | ∅0.8 | ∅0.8 |
| Solder inter diameter | ∅2.5 | ∅2.5 | ∅2.5 | ∅2.0 | ∅1.2 | ∅1.2 | ∅1.2 | ∅1.2 | ∅1.2 |

| | | | | | | |
|---|--|-----------------|---------------------|------|------|------|
| -TOLERANCES- UNLESS OTHERWISE SPECIFIED | 深圳市金航标电子有限公司 | | www.kinghelm.com.cn | | | |
| | SHENZHEN KINGHELM ELECTRON CO.,LTD. | | 0755-28190160 | | | |
| UNLESS OTHERWISE SPECIFIED TOLERANCES FOR MILLIMETERS ARE: 0.5 - 8mm ± 0.20mm 8 - 30mm ± 0.25mm 30 - 120mm ± 0.30mm | PART DESCRIPTION: GX16 MALE CONNECTOR | | | | | |
| | Appr: JIM. KING | P/N: KH-GX16-4P | | | | |
| | Check: | Date | Scale | Unit | Type | Page |
| | Draw: Gavin | 2022.06.15 | Free | MM | Z | 1/1 |

| REV | DESCRIPTION | DWN | DATE | APPROVEN |
|-----|-------------|---------|------------|----------|
| A | FIRST ISSUE | XIEFENG | 2022/06/15 | Mr.chen |



Material and specifications

- Coupling Threaded coupling
- Shell material Zinc alloy with Nickel Plate
- Insert material bakelite
- Contact material copper Silver Plate/Nickel
- Termination Solder
- Mating cycle 500
- Cable diameter -20℃ +85℃

| Technology parameter | | | | | | | | | |
|---|------|------|------|------|------|------|------|------|------|
| NO. of contacts | 2 | 3 | 4 | 5 | 6 | 7 | 8 | 9 | 10 |
| Rated current (A) | 7 | 7 | 7 | 7 | 5 | 5 | 5 | 5 | 5 |
| Operation limit voltage(AC.V.rms) | 220 | 220 | 125 | 125 | 125 | 125 | 125 | 125 | 125 |
| Withstanding voltage(AC.V.rms) 1 minute | 1500 | 1500 | 1500 | 1500 | 1500 | 1500 | 1500 | 1500 | 1500 |
| Insulation resistance (mΩ) | 2000 | 2000 | 2000 | 2000 | 2000 | 2000 | 2000 | 2000 | 2000 |
| Contact resistance (mΩ) | 3 | 3 | 3 | 4 | 5 | 5 | 4 | 5 | 5 |
| Solder cup mouth aperture | φ1.4 | φ1.4 | φ1.4 | φ1.2 | φ0.8 | φ0.8 | φ0.8 | φ0.8 | φ0.8 |
| Solder inter diameter | φ2.5 | φ2.5 | φ2.5 | φ2.0 | φ1.2 | φ1.2 | φ1.2 | φ1.2 | φ1.2 |

| | | | | | | | |
|-------------------|-------------------|-----------|---|--|--|---------------------|---------------|
| NOTE: | | Tolerance | UNLESS OTHERWISE SPECIFIED TOLERANCES FOR DIMENSIONS ARE 0.5-8MM±0.10MM 8-30MM±0.15MM 30-120MM±0.20MM | 深圳市金航标电子有限公司 | | www.kinghelm.com.cn | |
| DRAWN: XIEFENG | DATE: 22/06/15 | | | SHENZHEN KINGHELM ELECTRON CO.,LTD. | | 0755-28190160 | |
| CHECKED: | | VIEW | | Name: GX16 FEMALE CONNECTOR | | | |
| APPROVALS: | | UNIT | MM | Product NO. KH-GX16-4P | | | REV A |
| | | SCALE | 1 : 1 | CAD FILE H/companydrawings/BD | | | SHEET: 1 OF 1 |