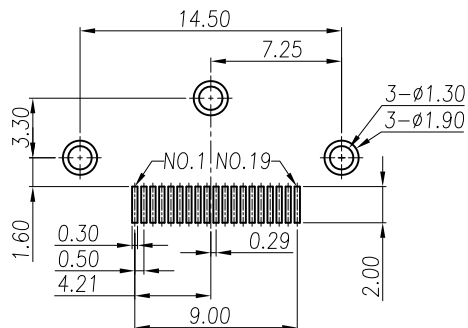
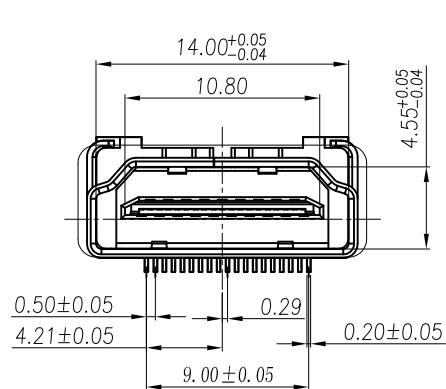


Kinghelm®

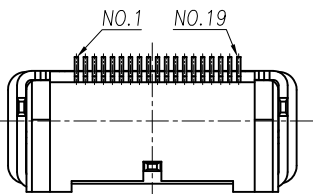
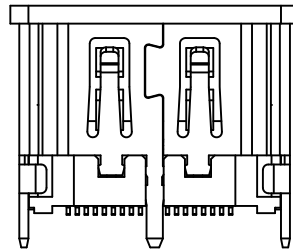
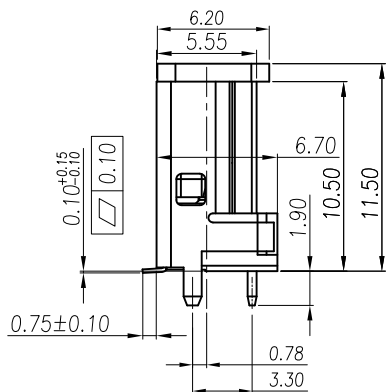
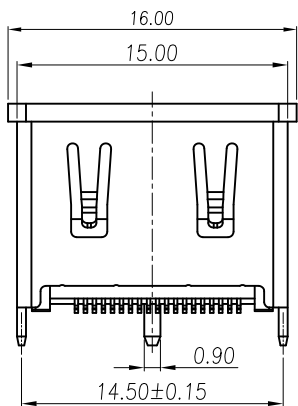


NOTES:

- 1.) MATERIAL:
 - 1-1. HOUSING AND COVER: LCP, UL 94V-0, COLOR: BLACK; HF
 - 1-2. CONTACT: BRASS T=0.20;
 - 1-3. SHELL: BRASS T=0.50;
 - 1-4. CAP: LCP BLACK UL 94-V0
- 2.) FINISH:
 - 2-1. CONTACT: Au PLATING ON CONTACT AREA, (SEE P/N DESCRIBING) AU G/F PLATING ON SOLDER TAILS, 50u" MIN. Ni UNDERPLATING OVERALL;
 - 2-2. SHELL: PLATING Ni 50u" MIN.
- 3.) SPECIFICATIONS:
 - 3-1. VOLTAGE RATING: 40V
 - 3-2. CURRENT RATING: 0.5A
 - 3-3. INSULATION RESISTANCE: 100MEG.OHM MIN
 - 3-4. CONTACT RESISTANCE: 30 MILL.OHM MAX
 - 3-5. OPERATION TEMPERATURE: -20° TO +85°
 - 3-6. INSERT FORCE: 44.1N MAX
 - 3-7. EXTRACT FORCE: 9.8N MIN
 - 3-8. DURABILITY: 10000 CYCLES
- 4.) PART No.:



RECOMMENDED P.C.B. LAYOUT (T=1.6mm)
TOLERANCES UNLESS OTHERWISE SPEC. ±0.05



TOLERANCE UNLESS OTHERWISE SPECIFIED		深圳市金航标电子有限公司		www.kinghelm.com.cn	
		KH-HDMI-0031-10.5		0755-28190160	
.X±0.35	X.*±5°	APR.	TITLE:	HDMI-A-F04	UNITS: MM
.XX±0.25	.X.*±3°	CHK.	DWG NO.		SHEET. 1/1
.XXX±0.15	.XX.*±1°	DRA.	PROJ.	CUSTOMER DRAWING	
REV.	Q'TY	ECN. NO.	APR.	DATE	SCALE: FREE REV. AO

AO		FIRST RELEASE	Paul	2021.10.06
REV.	Q'TY	ECN. NO.	APR.	DATE