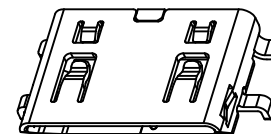
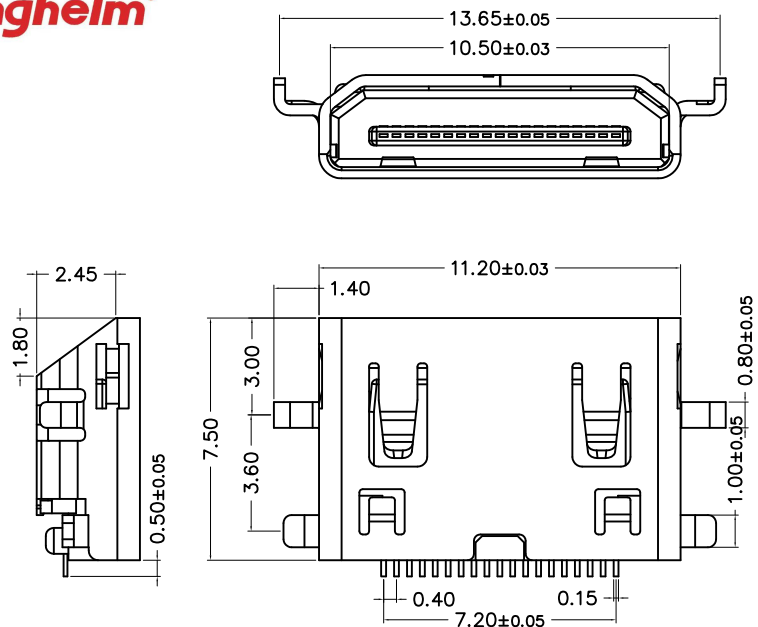
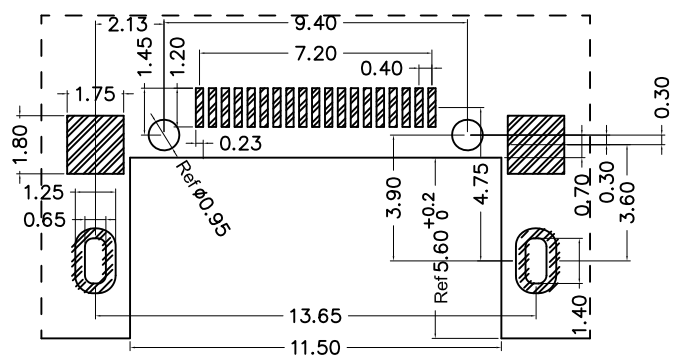
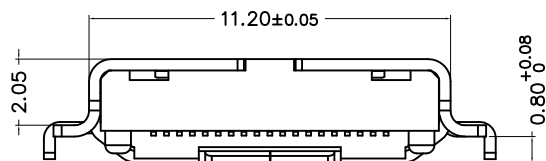
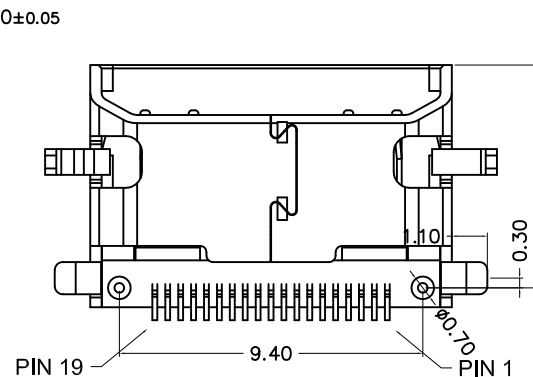




* 所有原料材质, 生产制程, 电镀必须符合ROHS要求



3D VIEW



SPECIFICATION:

- 1.MATING FORCE:44.1N MAX
- 2.UNMATING FORCE:7-25N
- 3.DURABILITY: 5000 CYCLES MIN
- 4.CURRENT:0.5A
- 5.VOLTAGE:40V MAX
- 6.WITHSTANDING VOLTAGE:500V AC MIN.(UNMATED)
- 7.CONTACT RESISTANCE:30MN MAX.
- 8.INSULATION RESISTANCE:100MN MIN.(UNMATED)
- 9.OPERATING TEMPERATURE RANGE:-20.C TO +85.C
- 10.ALL THE MATERIAL SHOULD COMPLY WITH THE ROHS REQUIREMENT.

Type C pin	Signal Name
1	TMDS Data2 _{Shield}
2	TMDS Data2 ₊
3	TMDS Data2 ₋
4	TMDS Data1 _{Shield}
5	TMDS Data1 ₊
6	TMDS Data1 ₋
7	TMDS Data0 _{Shield}
8	TMDS Data0 ₊
9	TMDS Data0 ₋
10	TMDS Clock _{Shield}
11	TMDS Clock ₊
12	TMDS Clock ₋
13	DDC/CEC Ground
14	CEC
15	SCL
16	SDA
17	Utility
18	+5V Power
19	Hot Plug Detect

深圳市金航标电子有限公司		www.kinghelm.com.cn	
KH-HDMI-0035-XK		0755-28190160	
DIMENSIONS INIT: mm	PRODUCT NAME :	DRAWING:	DATE:
UNLESS OTHERWISE SPECIFIABLE	PRODUCT NO. :	CHECK:	DATE:
DIMENSION TOLERANCE	DRAWING NO. :	APPROVED:	DATE:
X.X: ± 0.25		SCALE: 1:1	DWG ID: P D
X.XX: ± 0.10		REV.: A	PAGE: 1 OF 1
X.XXX: ± 0.05			
ANGULAR: ± 1°			

REVISION NO.	ECR NO.	DESCRIPTION	MARK	DATE
1				
2				