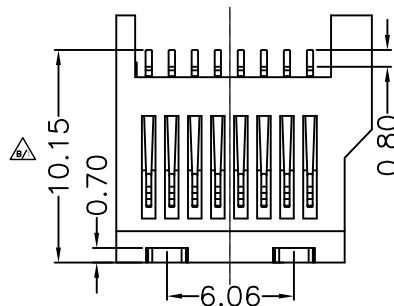
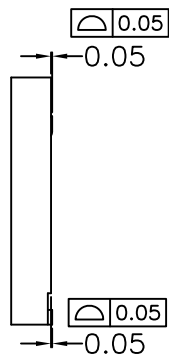
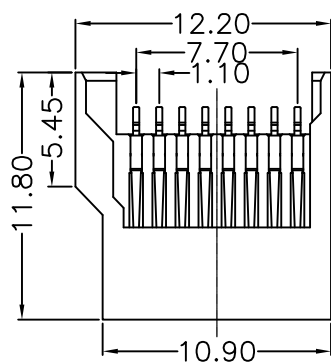
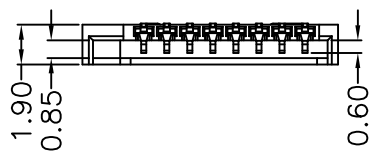


Kinghelm®

REV.	DESCRIPTION	APPD	DATE
△	移动焊脚位由9.95改为10.15	PENTIUM	0403'10



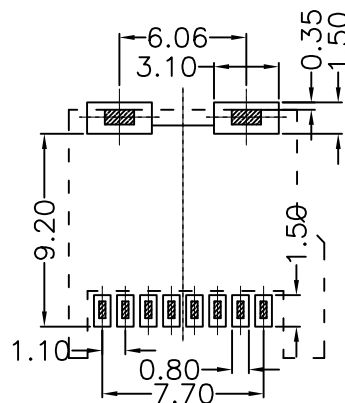
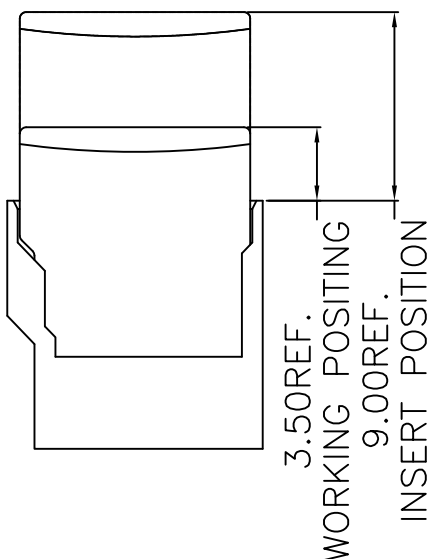
NOTES:

- MATERIAL:
HOUSING: HIGH TEMPERATURE THERMOPLASTIC UL94V_0,COLOR:BLACK.
CONTACT: COPPER ALLOYS.
COVER: COPPER ALLOYS OR STEEL.
- PLATING:
UNDERPLATE: NICKEL.
CONTACT AREA: GOLD OVER NICKEL.
SOLDER AREA: TIN OVER NICKEL.
- MULTIMEDIA CARD COMPATIBLE

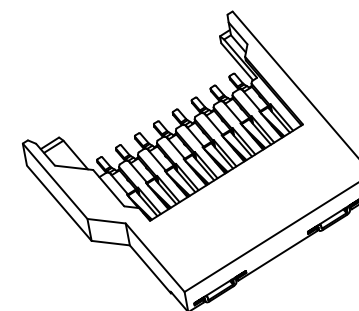
订购须知

TFSF1-EBX1-1X01

- | | |
|-----------|---------|
| S1 接触区域镀金 | 1 卷带包装 |
| F1 全部区域镀金 | 3 PS盘包装 |

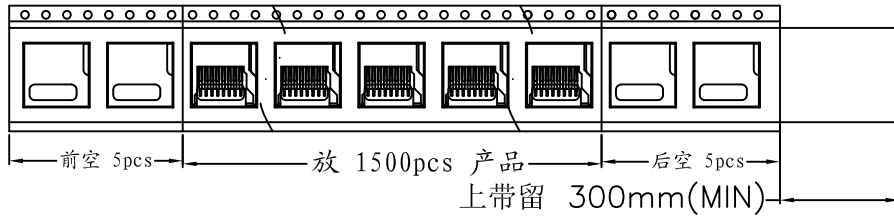
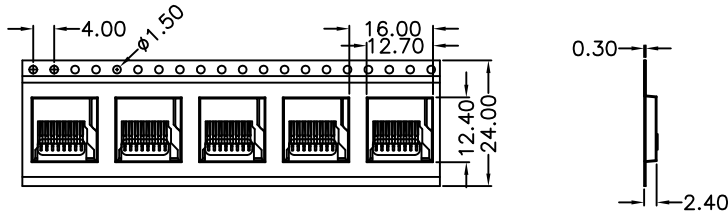


RECOMMENDED P.C.B HOLE LAYOUT
COMPONENT SIDE VIEW(TOLERANCE: +/-0.05)

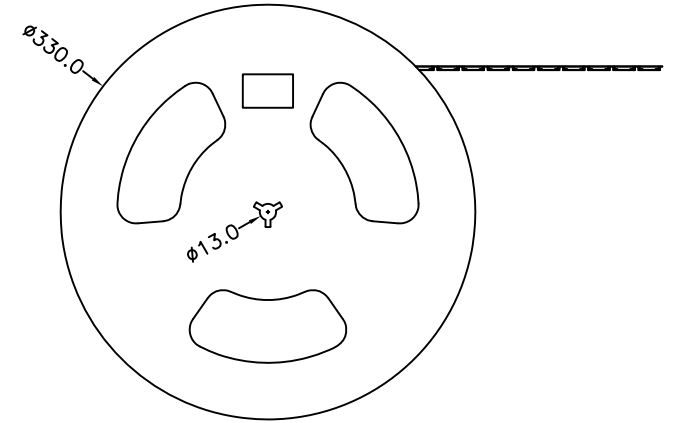
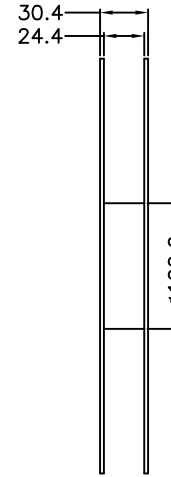


PART NO: TFSF1-EBX1-1X01		MATERIAL: 深圳市金航标电子有限公司 www.kinghelm.com.cn	
LOT NO: 100100100X		FINSH:	
UNIT: MM		COLOR:	
SIZE: A4		DR: 杨凯 082709	
TOLERANCES: X.X=±0.35 X.XX=±0.25 X.XXX=±0.15		TITLE: T-FLASH简易全塑卡座	
GENERAL ANGLE: X.X=±5.0° X.XX=±3.0°		DWG NO: FP-090016	
CHK:		SCALE: 1:1	
APP:		SHEET: 1 OF 3	
		REV: B/1	

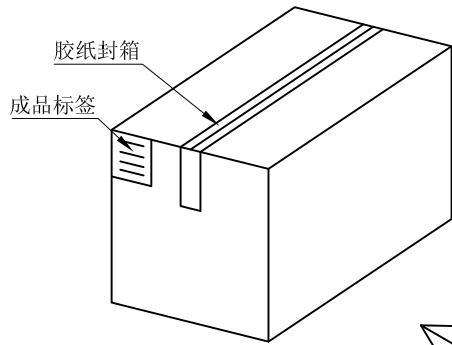
REV.	DESCRIPTION	APPD	DATE



NO. 1

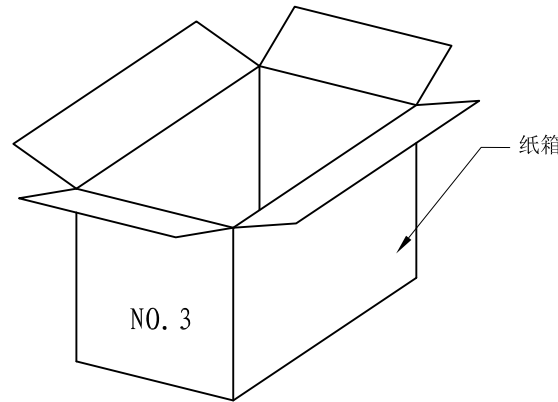
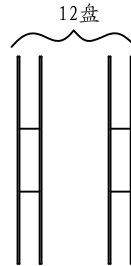


NO. 2



纸箱规格: 330*330*385

NO. 4



NO. 3

1. 材质要求:
 - 1.1 纸箱的材质为B=B; 外形尺寸为33*33*38.5;
 - 1.2 卷盘的材质为PVC, 卷盘的外形尺寸为 ϕ 330*30.4;
 - 1.3 卷带的材质为PVC, 卷带的外形尺寸为24160*24.00*2.4mm;
2. 包装方式:
 - 2.1 将卷带放入包装机后, 前空5PCS, 后放产品1500PCS, 再后空5PCS; 上带留300MM长度。
 - 2.2 将包装好的产品从包装机上取下并包装好;
 - 2.3 把累叠好的12盘叠放入纸箱中共计18Kset;
 - 2.4 把包装好的成品打包封箱, 并在纸箱外贴上标签

PART NO: TFSF1-EBS1-1101		MATERIAL:		深圳市金航标电子有限公司	www.kinghelm.com.cn
LOT NO: 100100100X		FINSH:		KH-TF032	0755-28190160
UNIT: MM	SIZE: A4	COLOR:		TITLE:	
TOLERANCES: X.X=±0.35 X.XX=±0.25 X.XXX=±0.15		GENERAL ANGLE: X.X=±5.0° X.XX=±3.0°		DR: 杨凯 082709	
CHK:		DWG NO: FP-090016		REV: B/1	
APP:		SCALE: 1:1		SHEET: 3 OF 3	

OÉ Foxit PDF Editor ±â¼-
 °æË"ËüÏÐ (c) by Foxit Software Company, 2004
 ½00A0U/EA'A½