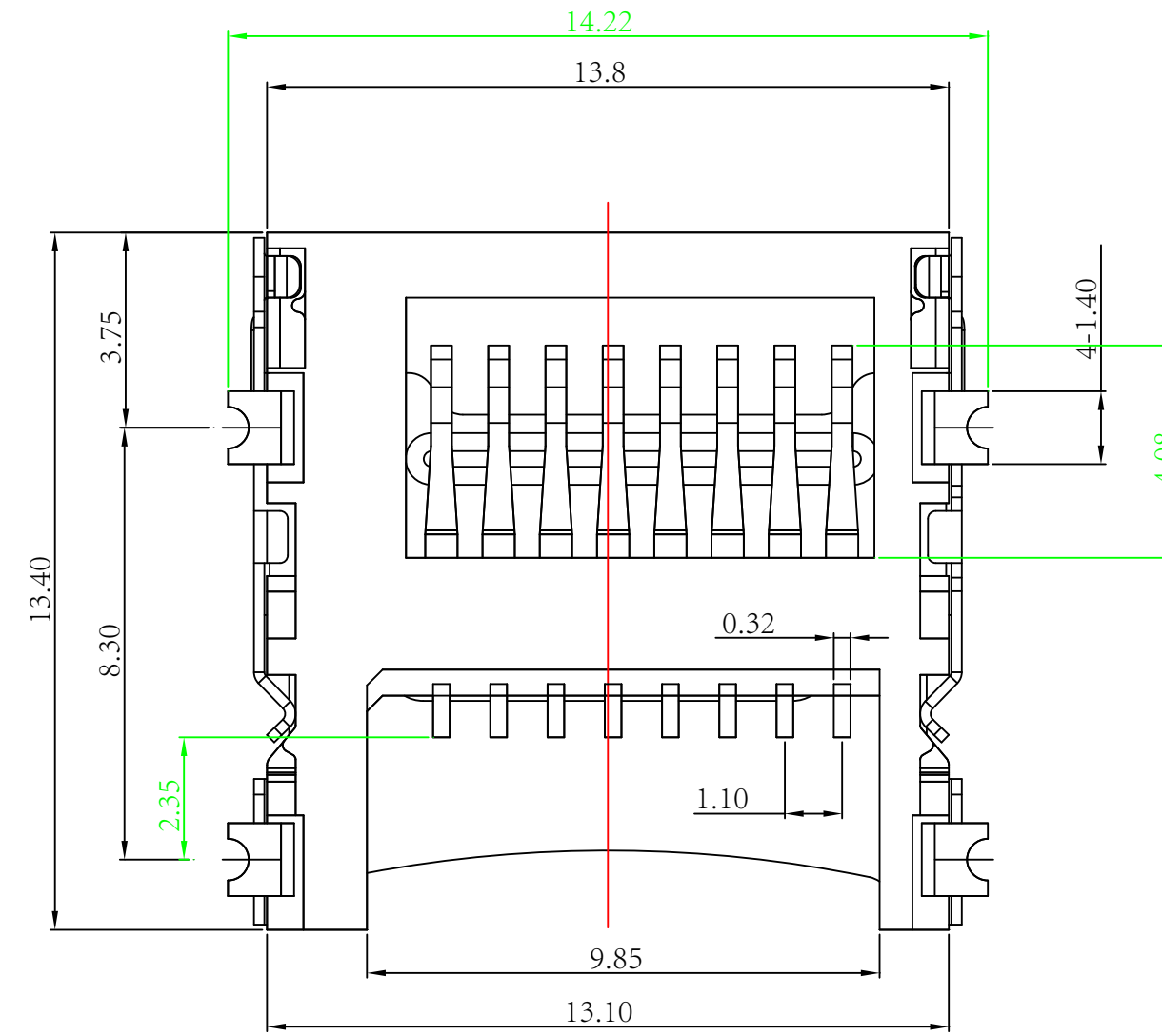
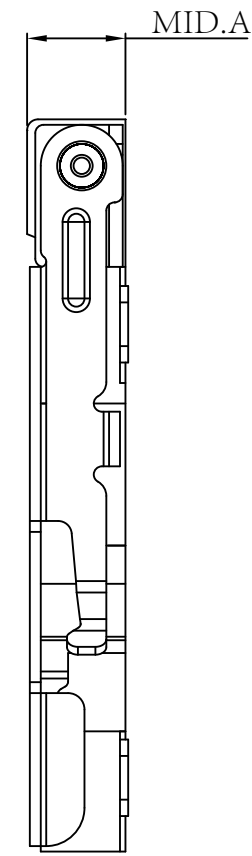
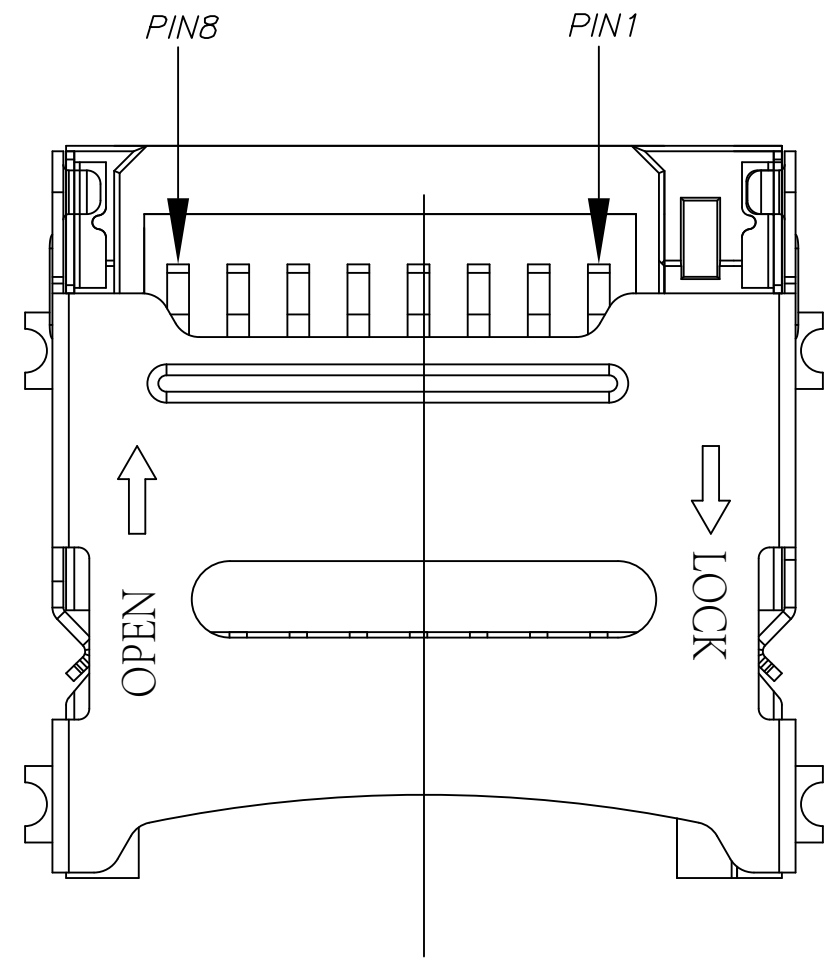


Kinghelm®

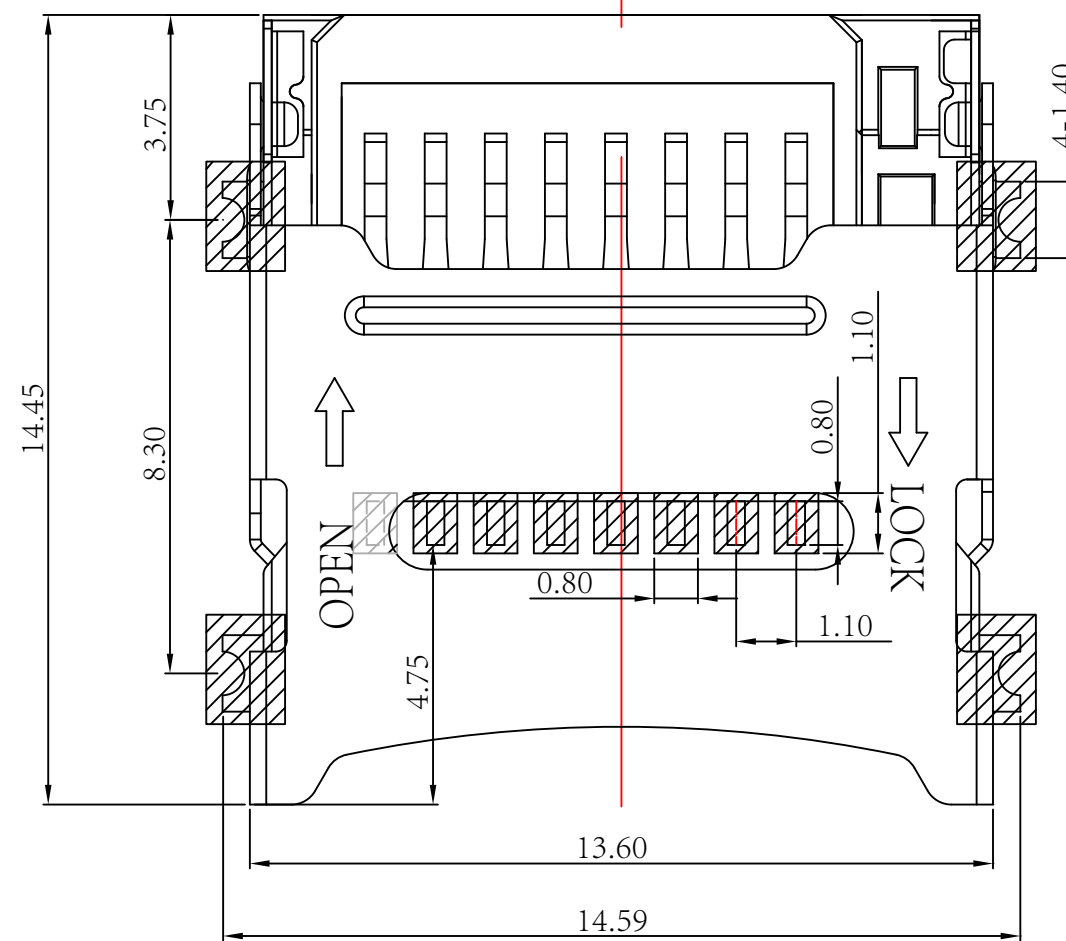
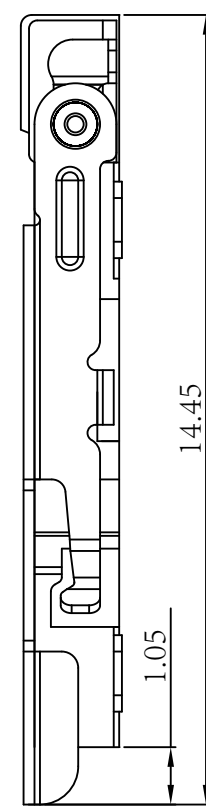
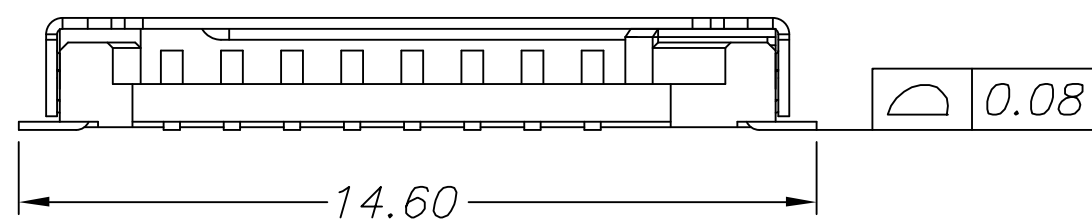
REV.	ZONE	DESCRIPTION	DESIGN	DATE
C			James	11/28-11



DIMENSION INFORMATION

P/N	MID.A
8P	1.8H

SLIDE SHELL OPEN/SLIDE SHELL LOCK



RECOMMENDED PCB LAYOUT
TOLERANCE ±0.05

NOTES:

1.MATERIAL:

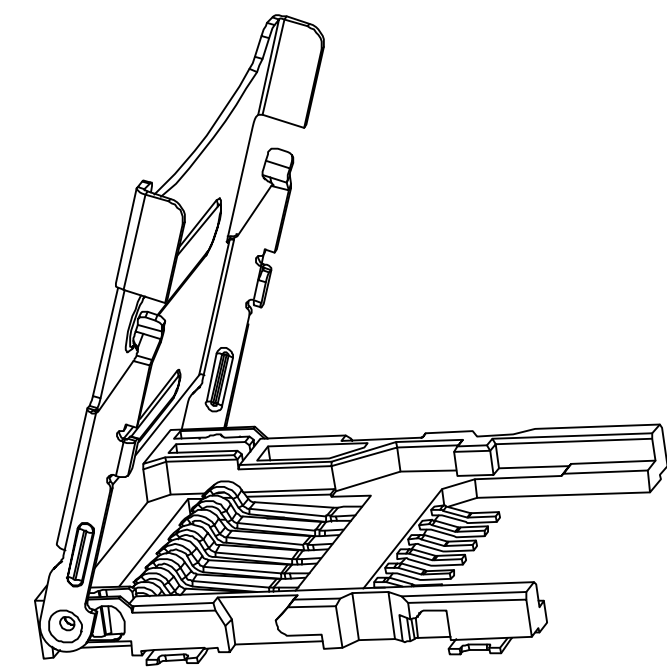
- 1).HOUSING MATERIAL:THERMOPLASTIC UL94V-0;COLOR:BLACK
- 2).CONTACT MATERIAL:COPPER ALLOY,T=0.15mm
- 3).SHELLMATERIAL:STAINLESS STEEL,T=0.20mm

2.FINISH:

- 1).CONTACT FINISH:50u"min.NICKEL UNDER PLATED,PLATED 3u"Au ON CONTACT AREA;TIN-PLATED HIGH-TEMPER ATURR 80u"-120u" ON SOLDER AREA.
- 2).SHELL FINISH:Cleaning.

3.ELECTRICAL SPECIFICATIONS:

- 1).OPERATING VOLTAGE: 250V(AC/DC).
- 2).CURRENT RATING: 0.5A.
- 3).OPERATING TEMPERATURE: -20°C~+65°C.
- 4).INSULATION RESISTANCE: 1000M OHMS min. at 250VDC.
- 5).DIELECTRIC WITHSTANDING VOLTAGE:500VAC/1minute.
- 6).CONTACT RESISTANCE:100m OHMS max.



		深圳市金航标电子有限公司		www.kinghelm.com.cn				
		KH-TF08-H1.8		0755-28190160				
Unless otherwise specified tolerances are		DRAW NO.	FD111128-003	DATE				
		DWN	ZHANG	11/28-11				
		CHK						
		APVD						
		DRAW NAME: TF 卡座掀盖式						
		P/N : 5T08**GS05AR***						
X.	±0.25	Third Angle Project	FINISH	MATERIAL	UNIT	SCALE	REV	SHEET
X.X	±0.20		SEE NOTES		mm	1:1	C	1 OF 1
X.XX	±0.15							
X.XXX	±0.10							
X°	±2.0°							
X.X°	±1.0°							