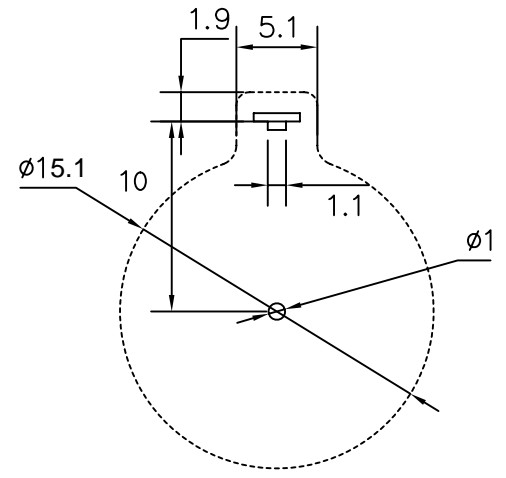
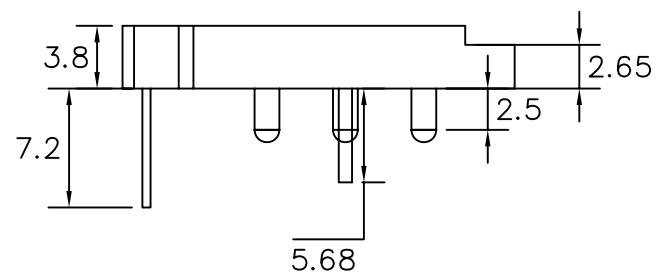
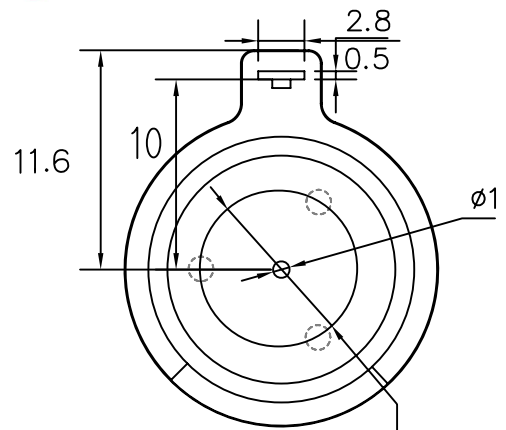
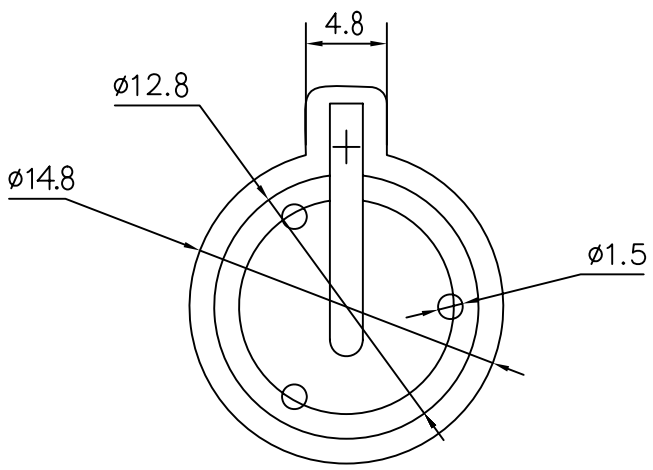


REV.	MATTER	APP.	DATE
A			



PCB HOLE LAYOUT



NOTE:

- 1.MATERIAL:
 - a.HOUSING:THERMOPLASTIC GLASS FIBRE UL94V-0
 - b.CONTACT:PHOSPHOR BRONZE (SURFACE PLATING:“Ni100u”)
 - SEE ORDERING INFORMATION
- 2.ELECTRIC:
 - a.CONTACT RESISTANCE: 30 MILLIOHMS MAX
 - b.INSULATION RESISTANCE: 1000 MEGA OHMS MIN
 - c.DIELECTNIC VOLTAGE: 750V AC ONE SEC LEVEL
 - d.OPERATING TEMPERATURE: -55°C~ +85°C

ORDERING INFORMATION

BS-12-A**0*0025

电池座系列 ————

BS-16系列 ————

DIP 90° TYPE ————

MATERIAL: _____

1A—PBT WHITE

1B—PBT BLACK

2A—PA66 WHITE

2B—PA66 BLACK

3A—PA6T WHITE

3B—PA6T BLACK

PLATING: _____

J—Ni100U”~120U”

K—Ni150U”

CRUST: _____

O—WITHOUT

TOLERANCE		Tolerance: Unless otherwise specified			
LINEAR ANGLE x. ±1 .x ±0.38 .xx ±0.25 .xxx ±0.10 x.' ±5' .x.' ±2' .xx.' ±1'	3	TERMINAL-2	Mn Steel	Ni-Plated	
	2	TERMINAL-1	Mn Steel	Ni-Plated	
	1	HOUSING	PBT	BLACK	
	NO.	PART NAME	MATERIAL	COLOR/FINISHED	

	日期 DATE	单位 UNITS	审核 CHECK	BATTERY HDLDER	PART NO.	
		mm				
	比例 SCALE	制图 DRAW	设计 DESIGN	TITLE: 两PIN电池座卧式 (BS-1220-4)		
	1/1			深圳市金航标电子有限公司	www.kinghelm.com.cn	
				KH-BS1220-4	0755-28190160	