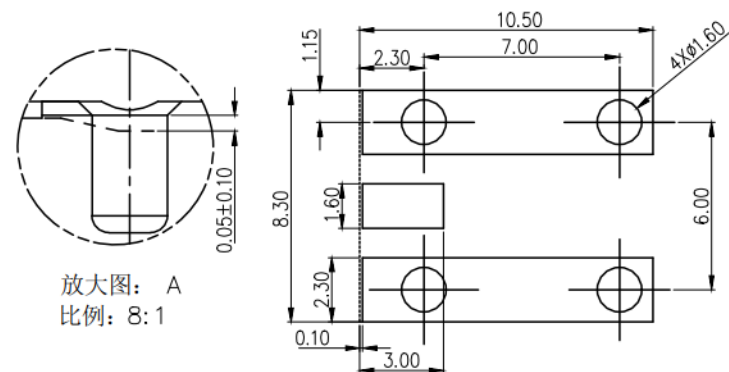
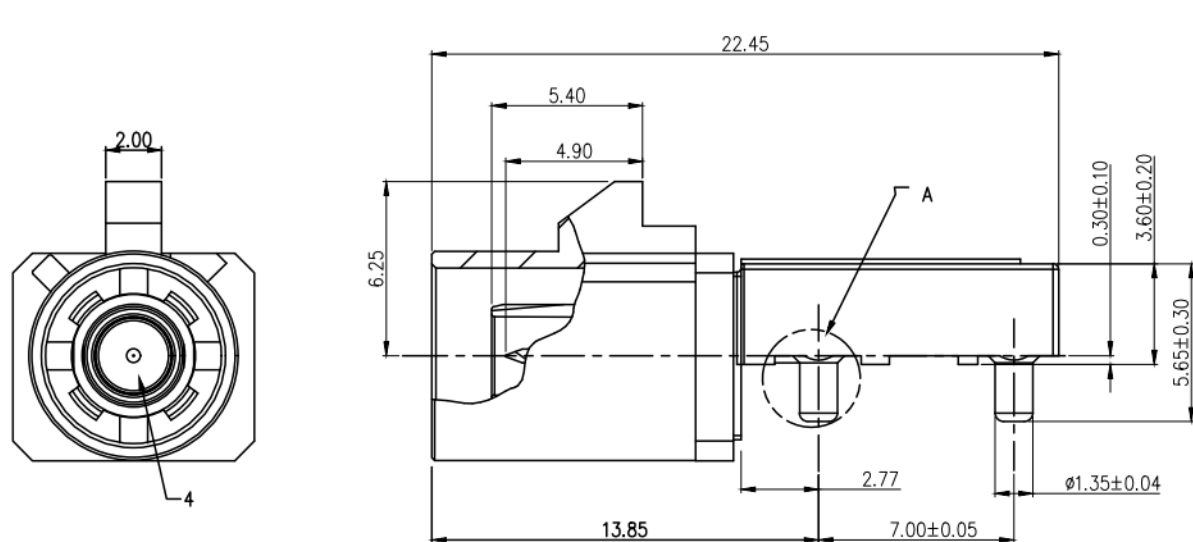


DRAWING TYPE

CUSTOMER DRAWING

| MARK | DATE | DESCRIPTION | DESIGN |
|------|------------|-------------|--------|
| A | 2020.05.06 | PROPOSAL | CHEN |

Kinghelm®



放大图: A
比例: 8:1

1. PART NO. LEGEND: PCB ALL TOLERANCE ± 0.05

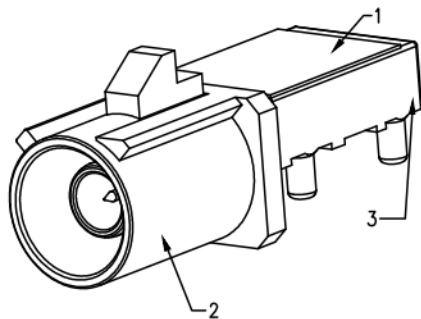
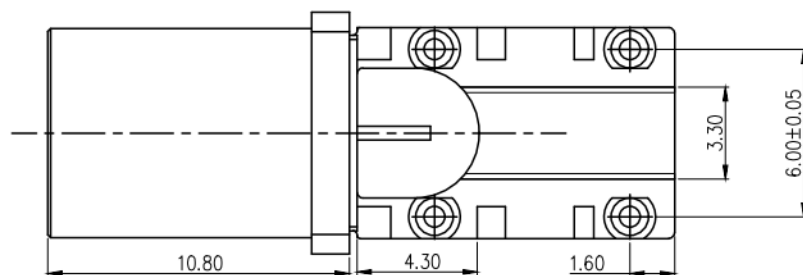
7.03A0 .000 8 9 X

TYPE

CONTACT AREA PLATING SPEC: GOLD PLATING: $8=30\mu$
SOLDER AREA PLATING SPEC: Tin PLATING: $8=80\mu$

2. PERFORMANCE:

- 2.1: CONTACT RESISTANCE: INITIAL VALUE 50mOHM Max,
2.2: FREQUENCY RANGE: DC to 6GHz
2.3 VSWR: 0-6GHz 1.60Max
2.4 VOLTAGE RATING: 50V (AC/DC).
2.5: CURRENT RATING: 1A/PIN.
2.6: INSULATION RESISTANCE: 100MOHM Min.
2.7: MATING CYCLES: 25 TIMES Min.
2.8: OPERATING TEMPERATURE: $-40^{\circ}\text{C}\sim+105^{\circ}\text{C}$



| NO. | COMPONENTS | MATERIALS | FINISH/COLOR | SPECIFICATION | QUANTITY |
|-----|------------|-----------------------|----------------------------------|---------------|----------|
| 4 | MOLDING | THERMOPLASTIC+BRASS | BLACK+PLATING | GOLD | 1 |
| 3 | BODY | ZINC ALLOY | PLATING | Sn | 1 |
| 2 | HOUSING | THERMOPLASTIC UL94V-0 | ACCORDANCE WITH THE REQUIREMENTS | | 1 |
| 1 | MAYLAR | KAPTON | | | 1 |

深圳市金航标电子有限公司

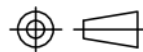
www.kinghelm.com.cn

KH-FAKRA-D-CB

0755-28190160

UNLESS OTHERWISE
SPECIFIED TOLERANCE

| ANG | TOL | DIM | TOL |
|------|-------------------|------|------------|
| .X | $\pm 3.0^{\circ}$ | .X | ± 0.30 |
| .XX | $\pm 2.0^{\circ}$ | .XX | ± 0.20 |
| .XXX | $\pm 1.0^{\circ}$ | .XXX | ± 0.10 |



DRAWING NO

7.03A0-C

PART NAME:

FAKRA LOW PROFILE CONNECTOR
CUSTOMER DRAWING

PART NO.

7.03A0.00089X

APPROVED

VERIFIED

DESIGN

DATE

UNITS

SCALE

PAGE

REV

CHEN

2020.05.06

mm

4:1

1/2

A

NOTE: ALL RIGHTS RESERVED, BANNED COPY!

QP-04-33-B

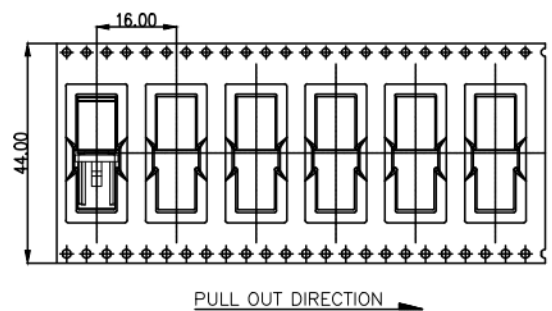
1 2 3 4 5 6 7 8 9 10 11 12

DRAWING TYPE CUSTOMER DRAWING

| MARK | DATE | DESCRIPTION | DESIGN |
|------|------------|-------------|--------|
| A | 2020.05.06 | PROPOSAL | CHEN |

Kinghelm®

| | | | | | | | | | |
|---------------|---------------|---------------|---------------|---------------|---------------|---------------|---------------|---------------|---------------|
| | | | | | | | | | |
| KH-FAKRA-A-CB | KH-FAKRA-B-CB | KH-FAKRA-C-CB | KH-FAKRA-D-CB | KH-FAKRA-E-CB | KH-FAKRA-F-CB | KH-FAKRA-G-CB | KH-FAKRA-H-CB | KH-FAKRA-I-CB | KH-FAKRA-K-CB |
| | | | | | | | | | |
| KH-FAKRA-L-CB | KH-FAKRA-M-CB | KH-FAKRA-N-CB | KH-FAKRA-Z-CB | | | | | | |



NOTE:
1.PER REEL: 400PCS

NOTE: ALL RIGHTS RESERVED,BANNED COPY!

| UNLESS OTHERWISE SPECIFIED TOLERANCE | | | |
|--------------------------------------|-------|------|-------|
| ANG | TOL | DIM | TOL |
| .X | ±3.0° | .X | ±0.30 |
| .XX | ±2.0° | .XX | ±0.20 |
| .XXX | ±1.0° | .XXX | ±0.10 |

| | | | | | |
|---------------|--|------------------|---------------------|-----------------------------|--|
| 深圳市金航标电子有限公司 | | | www.kinghelm.com.cn | | |
| KH-FAKRA-D-CB | | | 0755-28190160 | | |
| DRAWING NO | | PART NAME: | | FAKRA LOW PROFILE CONNECTOR | |
| 7.03A0-C | | CUSTOMER DRAWING | | | |
| APPROVED | | PART NO. | | 7.03A0.00089X | |
| VERIFIED | | DATE | | UNITS | |
| DESIGN | | 2020.05.06 | | SCALE | |
| CHEN | | | | PAGE | |
| | | | | 2/2 | |
| | | | | REV | |
| | | | | A | |

1 2 3 4 5 6 7 8 9 10 11 12 QP-04-33-B

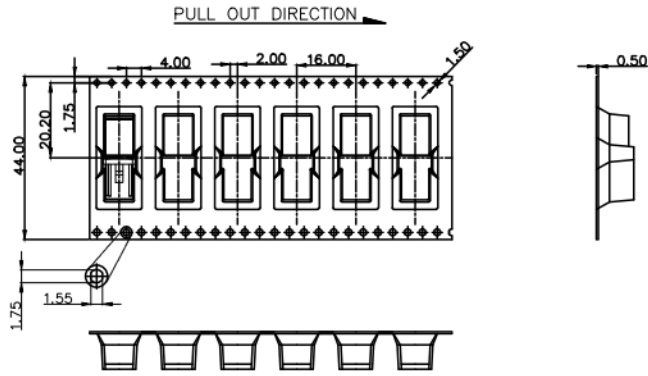
DRAWING TYPE PACKAGE DRAWING

Kinghelm®

| MARK | DATE | DESCRIPTION | DESIGN |
|------|------------|-------------|--------|
| A | 2020.05.06 | PROPOSAL | CHEN |
| | | | |
| | | | |

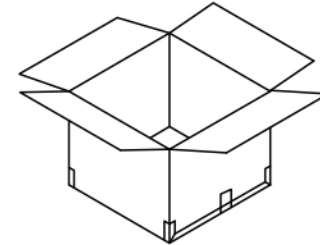
NOTES:

- MATERIAL:
 - CARRY TAPE:HIPS,T=0.50±0.05mm,BLACK
 - REEL:HIPS,
 - SHIM:PE,CLEAR.
- PRIMARY PACKING:400PCS/REEL.
- SECONDARY PACKING:SEE PACKING LIST
- PEELING RESISTANCE: 0.2~1.2N(20~120gf); PEELING ANGLE: 165°~180°; PEELING SPEED: 300mm/minutes.



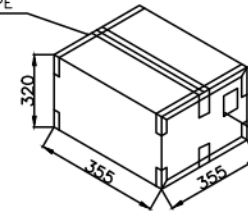
PER REEL with PE Bag

TOTAL 6 LAYERS

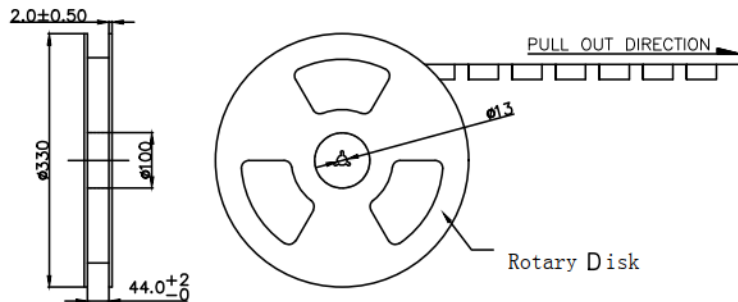


6 REEL PER CARTON
Total 2400 PCS

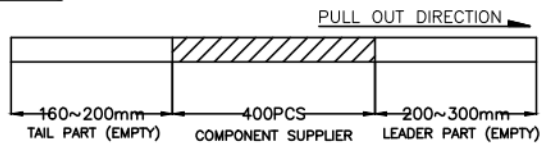
TRANSPARENT GULE TAPE



SIDE LABEL



Rotary Disk



NOTE: ALL RIGHTS RESERVED,BANNED COPY!

| UNLESS OTHERWISE SPECIFIED TOLERANCE | | | |
|--------------------------------------|-------|------|-------|
| ANG | TOL | DIM | TOL |
| .X | ±3.0° | .X | ±0.20 |
| .XX | ±2.0° | .XX | ±0.10 |
| .XXX | ±1.0° | .XXX | ±0.05 |

| | | | | | | | |
|------------------------|----------|--|-------------|---------------------------|-------------|--------------------|--|
| 深圳市金航标电子有限公司 | | | | www.kinghelm.com.cn | | | |
| KH-FAKRA-D-CB | | | | 0755-28190160 | | | |
| DRAWING NO 7.03A0-P | | PART NAME: FAKRA LOW PROFILE CONNECTOR PACKING DRAWING | | PART NO. 7.03A0.00089X | | DATE 2020.05.06 | |
| APPROVED | VERIFIED | DESIGN CHEN | UNITS mm | SCALE 1:1 | PAGE 1/1 | REV A | |