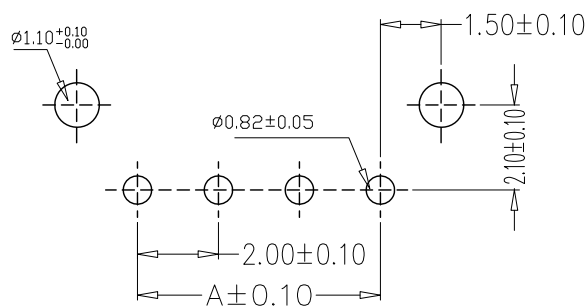
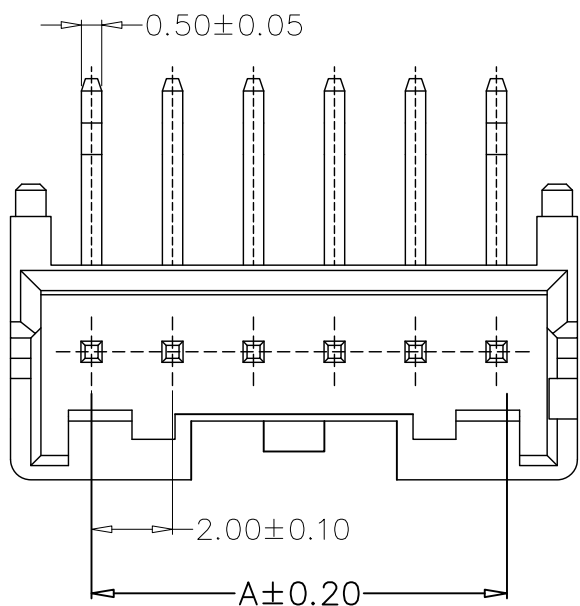


SPECIFICATIONS

- 1、Current Rating: 3A AC, DC
- 2、Voltage Rating: 250V AC, DC
- 3、Temperatuer Range: -25°C~+85°C
- 4、Contact Resistance: 20mΩ Max
- 5、Insulation Resistance: 1000MΩ Min
- 6、Withstanding Voltang: 800V AC/minute
- 7、Material:Wafer PBT,UL94V-0
PIN Brass Tin-plated

| 编号 | 尺寸 (mm) | |
|------------|---------|-------|
| | A | B |
| A2026-02AW | 2.00 | 6.00 |
| A2026-03AW | 4.00 | 8.00 |
| A2026-04AW | 6.00 | 10.00 |
| A2026-05AW | 8.00 | 12.00 |
| A2026-06AW | 10.00 | 14.00 |
| A2026-07AW | 12.00 | 16.00 |
| A2026-08AW | 14.00 | 18.00 |
| A2026-09AW | 16.00 | 20.00 |
| A2026-10AW | 18.00 | 22.00 |
| A2026-11AW | 20.00 | 24.00 |
| A2026-12AW | 22.00 | 26.00 |



PCB LAYOUT

| | | | | | | | | | |
|-------------------|------------|----------|------------|-------|----------------|------------|--------------------|-------|-----|
| GENERAL TOLERANCE | | 制图 | 钱岳生 | | 料号 | A2026-nAWD | | 版本 | A |
| X±0.25 | X*±2' | DRAWING | 2021、05、03 | | PART NO. | | | REV. | |
| .X±0.20 | .X*±1' | 审核 | 张名 | | 品名 | PA定位弯针 | | 页次 | 1/1 |
| .XX±0.15 | .XX*±0.5' | CHECK | 2021、05、04 | | TITLE | | | SHEET | |
| .XXX±0.10 | .XXX*±0.5' | 核准 | 张名 | | 客户料号 | | | | |
| | | APPROVAL | 2021、05、05 | | CUTM. NO. | | | | |
| | | 单位 | MM | 比例 | 深圳市金航标电子有限公司 | | www.kinghel.com.cn | | |
| | | UNITS | | SCALE | KH-A2026-08AWD | | 0755-28190160 | | |