

GSM/GPRS/GPS Tracker User Manual

Car/Motorcycle/Scooter GPS Tracking Device

1. Features

- ◇ 9-90V Vehicle/scooter/motorcycle tracking
- ◇ Real-Time Tracking
- ◇ Cut fuel/Resume fuel(Optional)
- ◇ Power removal/Ignition/Vibrate alarm
- ◇ Support angle upload location
- ◇ Support 1500 data memory storage
- ◇ Remote upgrade via OTA
- ◇ External voltage detection

2. Specs.

Content	Specs.
Dim.	77*28*16mm
Network	GSM/GPRS
Frequency	850/900/1800/1900 MHz
GPS chipset	MTK high sensitivity chip
Location accuracy	<10 meters CEP
Time To First Fix(open sky)	Cold status <35s Hot status <1s
Working voltage	9-90VDC
GPRS Protocol	TCP/IP
Operating temp.	-20°C to +70°C
consumption	5mA~50mA

2. Install SIM Card

Insert **2G GSM SIM card** with activated GPRS data; Make sure SIM card with full balance; If SIM card with PIN code, must remove it advance.

Insert SIM to power on device, Take off SIM to power off device.



3. Device light description

Light	Signal
Green	<ul style="list-style-type: none">● Flashing at every 3s after connected server● Always ON: no service
Blue	<ul style="list-style-type: none">● Flashing 3 times per second if GPS located● Always ON: no GPS signal

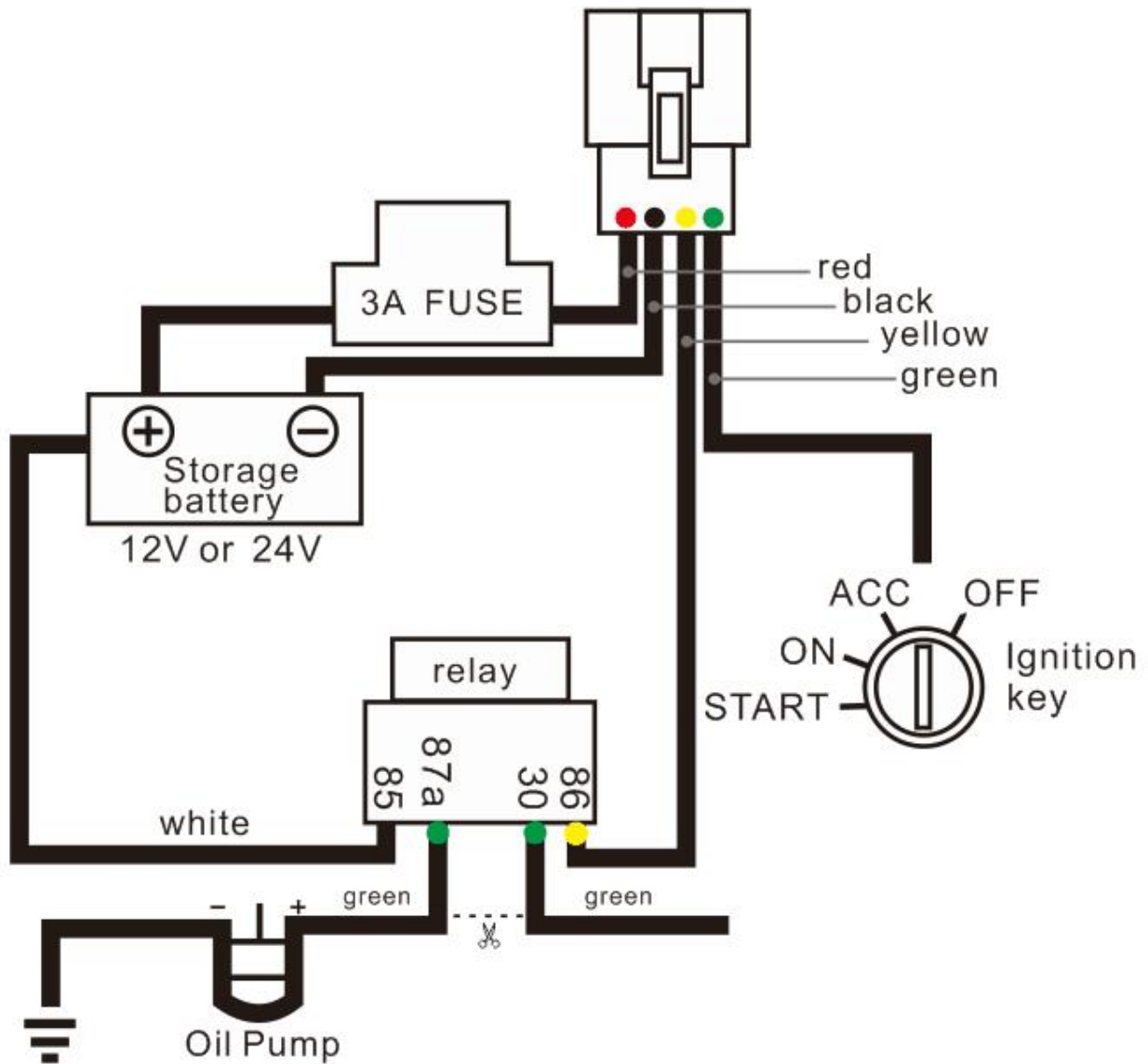
4. Wires connection

Red: Battery positive

Black: Battery negative

Green: Ignition wire

Yellow: Relay for cut fuel (optional)



5. SMS Command List

Check Google link	WHERE#
Set Server IP	SERVER,1,IP,port,0#
Set APN	APN, [apnname]# or APN, [apnname],[user],[pwd]#
Check Device Status	STATUS#
Check Device parameters	PARAM#
Reset Device	RESET#
Upload time interval	TIMER,T1,T2# T1=0、5~18000seconds ACC ON time interval T2=0、5~18000seconds ACC OFF time interval

Control Relay	RELAY,0# RELAY,1#	Resume fuel Cut fuel
Open Vibration alarm	SENALM,ON,M# M=0~2 alarm methods 0 stands for only GPRS 1 stands for SMS+GPRS 2 GPRS+SMS+CALL	
Close Vibration alarm	SENALM,OFF#	
Open power off alarm	POWERALM,ON,M,2,2# M=0~2 0 stands for only GPRS 1 stands for SMS+GPRS 2 GPRS+SMS+CALL	
Close power off alarm	POWERALM,OFF#	
Restore factory settings	FACTORY#	
Set timezone	GMT,<A>,,<c># For example: GMT,E,5,30# or GMT,W,6,00#	
Add Center number	CENTER,A,Number#	
Delete Center number	CENTER,D#	

6. Web platform & Tracking APP

Website: www.gps16888.com APP name: **SecumorePlus**

Default IMEI as user name, password 123456.



How to change login user name instead of Use IMEI number?

Steps: Find "Detail" Button on APP → Plate Number → Input New user name in Capital Letter.