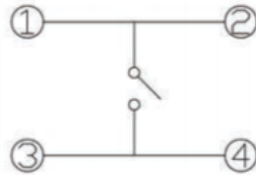
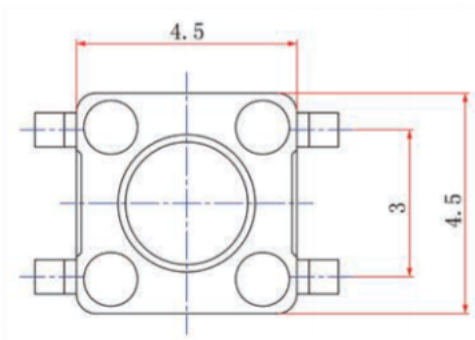
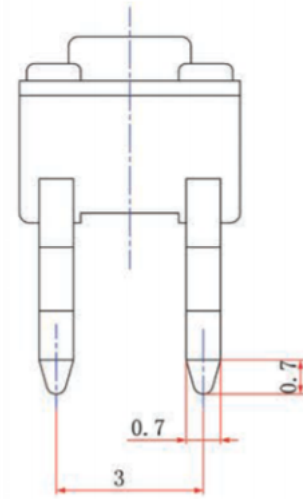
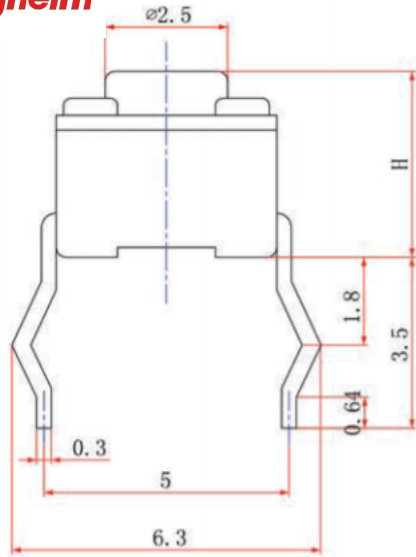
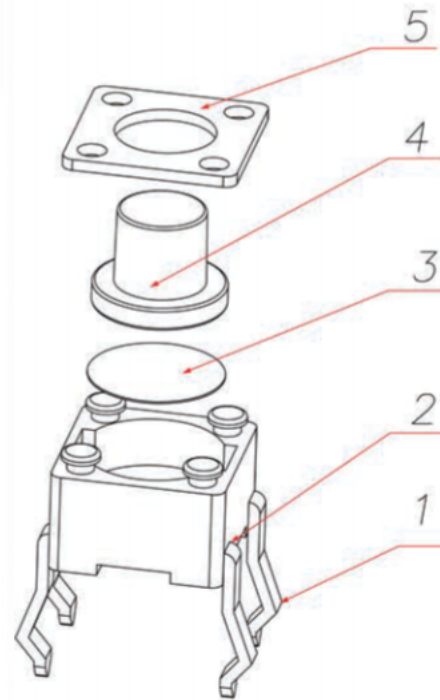


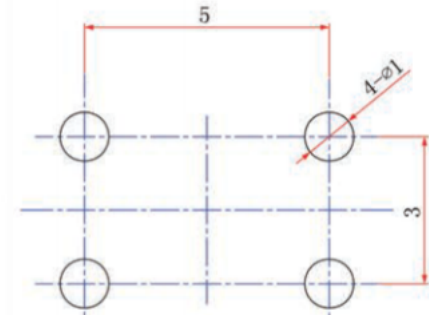
Kinghelm®



Circuit Diagram



| Size Range | Unspecified Tolerance |
|------------|-----------------------|
| 0~3 | ±0.1 |
| 3~6 | ±0.15 |
| 6~9 | ±0.2 |
| 9~12 | ±0.25 |
| 12~15 | ±0.3 |



Circuit Board Hole Position

| DESCRIPTION | MATERIAL | COLOR | REMARK |
|-------------|-----------------|--------|--------|
| 5 Cover | Brass | — | — |
| 4 Hat Head | PA6T/PA66Black | — | — |
| 3 Reed | Stainless Steel | — | — |
| 2 Base | PPA/PA66Black | — | — |
| 1 Inserts | Brass | Silver | — |

| | | | |
|--|--------------------------------------|------------------|--|
| Shenzhen Kinghelm Electronics Co., Ltd | | www.kinghelm.net | |
| KH-4.5X4.5X6H-TJ | | 0755-28190160 | |
| CUSTOMER COPY | Title:4.5 Pin Type - Outline Drawing | | |

| ECN(DCN)NO. | REV | DATE | DESCRIPTON | CHANGE | APPRO. | GENERAL TOLERANCE UNLESS OTHERWISE NOTED | DESIGN | CHECH | CHECK | APPRO. | TYPE NO | MATERIAL | DRAWNG NO. | SCALE | UNIT | mm | A4 |
|-------------|-----|----------|------------|--------|--------|--|--------|-------|-------|--------|---------|----------|-----------------|-------|------|----|----|
| | PA | 08/01/09 | | | | | | | | | | | ARAM3.608.024WX | 5:1 | mm | A4 | |