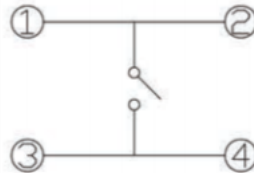
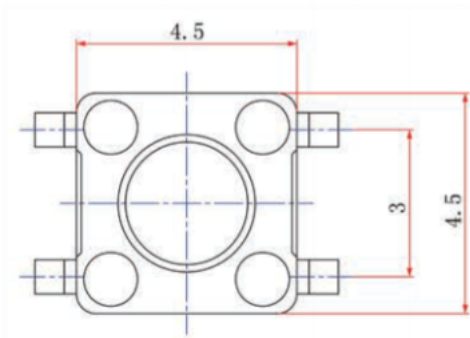
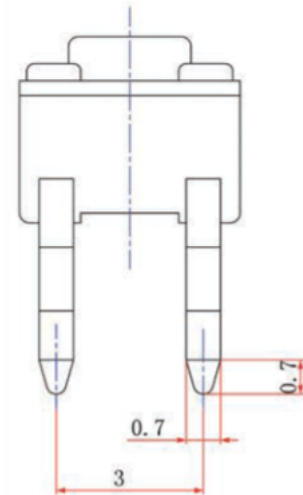
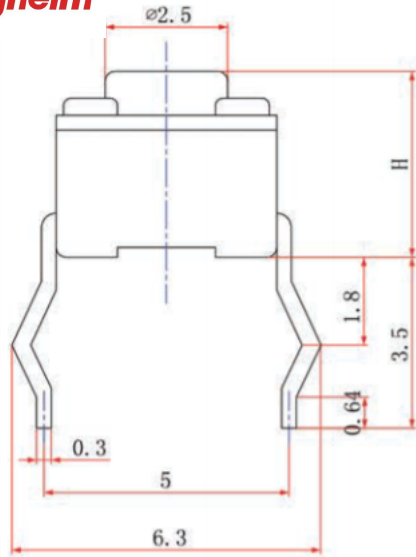
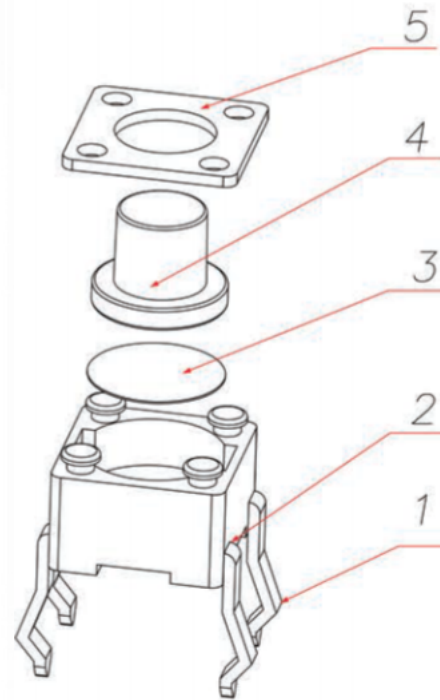


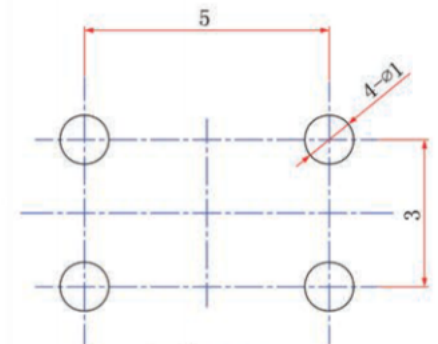
Kinghelm®



Circuit Diagram



Size Range	Unspecified Tolerance
0~3	±0.1
3~6	±0.15
6~9	±0.2
9~12	±0.25
12~15	±0.3



Circuit Board Hole Position

5	Cover	Brass	—	—
4	Hat Head	PA6T/PA66Black	—	—
3	Reed	Stainless Steel	—	—
2	Base	PPA/PA66Black	—	—
1	Inserts	Brass	Silver	—
	DESCRIPTION	MATERIAL	COLOR	REMARK

Shenzhen Kinghelm Electronics Co., Ltd		www.kinghelm.net	
KH-4.5X4.5X8H-TJ		0755-28190160	
CUSTOMER COPY	Title:4.5 Pin Type - Outline Drawing		

ECN(DCN)NO.	REV	DATE	DESCRIPTION	CHANGE	APPRO.	GENERAL TOLERANCE UNLESS OTHERWISE NOTED	DESIGN	CHECK	CHECK	APPRO.	TYPE NO	MATERIAL	DRAWING NO.	SCALE	UNIT	mm	A4
	PA	08/01/09											ARAM3.608.024WX	5:1			