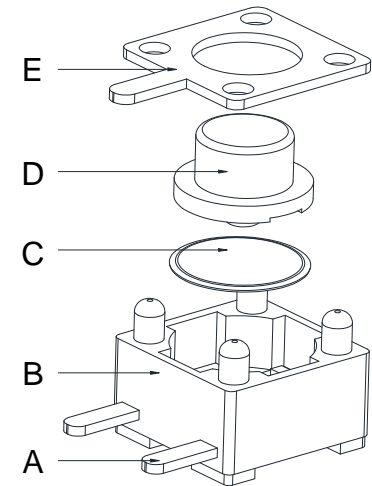
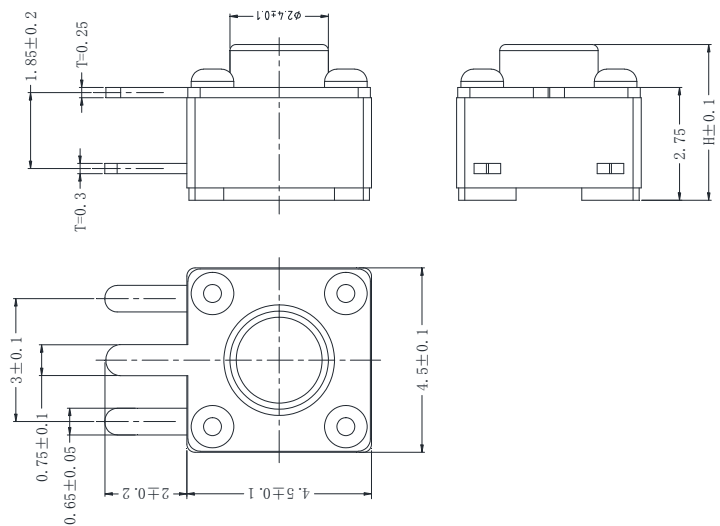


Kinghelm®

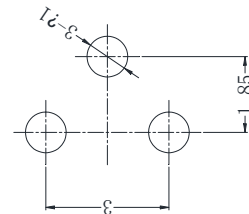
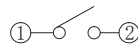
RevNo	Revision note	Date	Signature	Checked
-------	---------------	------	-----------	---------



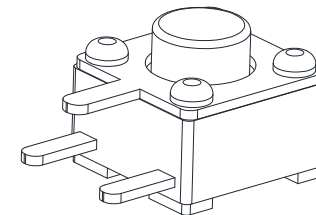
Technical Specifications

1. Rated Current: 50mA 12V DC
2. Contact Resistance: 100m
3. Actuation Force: 160 ± 30gf/260 ± 50gf
4. Travel: 0.15 ± 0.05mm
5. Insulation Resistance: 10M
6. Dielectric Strength: 100V 50Hz 1Min
7. Lifetime: 50,000 times

Electrical Schematic Diagram



PCB Diagram



										First-person Perspective	Scale	Part No.	4.5*4.5 Edge Tripod
										1:1			
E	Cover	0.25 Iron Sheet	1	Tin-plated Copper						General Tolerance	Unit	Product Name	4.5*4.5 Edge Tripod (2.0)
D	Plunger	Black PPA	1	Cleaning						>0.5-2 ±0.1	mm		
C	Contact Dome	Stainless Steel Silver Plating	1		Mark	Count	Changed file No.	Sig.	Date	>2-5 ±0.2			
B	Base	Black PPA	1	Cleaning	Designed			Checked		>5 ±0.3		Shenzhen Kinghelm Electronics Co., Ltd	www.kinghelm.net
A	Contact	0.3 Brass	1	Silver-plated						Angle ±1°			
No.	Component	Material	Qty.	Note								KH-BM2.54B-3P	0755-28190160