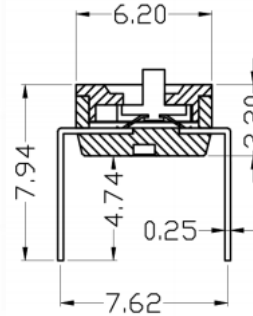
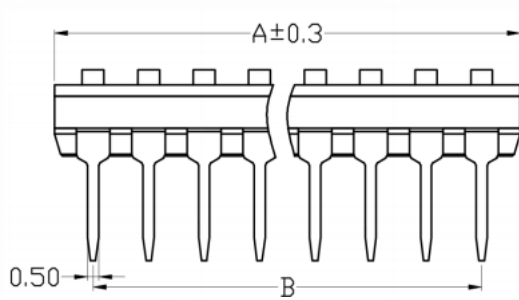
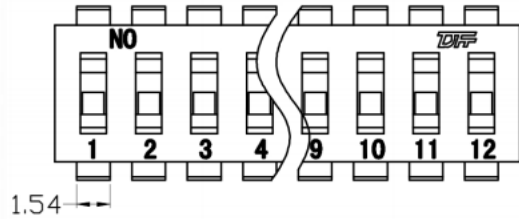


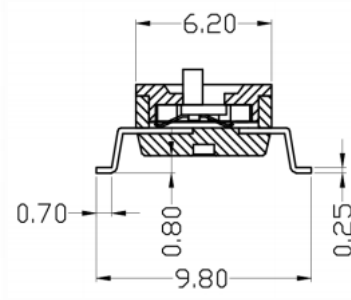
# Kinghelm®

No.	Reason For Reversion	Cartographer	Auditor	Approval

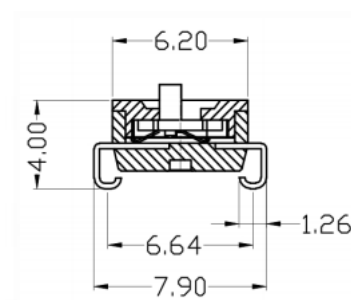
PROD.NO.			A(mm)	B(mm)
KF1027-A-02	KF1027-B-02	KF1027-C-02	6.08	2.54
KF1027-A-03	KF1027-B-03	KF1027-C-03	8.62	5.08
KF1027-A-04	KF1027-B-04	KF1027-C-04	11.16	7.62
KF1027-A-05	KF1027-B-05	KF1027-C-05	13.70	10.16
KF1027-A-06	KF1027-B-06	KF1027-C-06	16.24	12.70
KF1027-A-07	KF1027-B-07	KF1027-C-07	18.78	15.24
KF1027-A-08	KF1027-B-08	KF1027-C-08	21.32	17.78
KF1027-A-09	KF1027-B-09	KF1027-C-09	23.86	20.32
KF1027-A-10	KF1027-B-10	KF1027-C10	26.14	22.86
KF1027-A-11	KF1027-B-11	KF1027-C-11	28.94	25.40
KF1027-A-12	KF1027-B-12	KF1027-C-12	31.48	27.94



**KF1027-A**



**KF1027-B**



**KF1027-C**

Dimensional Tolerances:		Angular Tolerances:		Perspective Drawing		Name	Switch
X.	±0.25	X.	±5°	Unit	mm		Spacing 2.54mm
.X	±0.15	.X	±3°	Size	A4	Series	KF1027
.XX	±0.10	.XX	±2°	Shenzhen Kinghelm Electronics Co.,Ltd			www.kinghelm.net
Drawing Type	Customer			KH-10027B-SMT2.54-2P			0755-83044319
Scale	1:1	Page	1/1				
Drawing No.	KF1027						