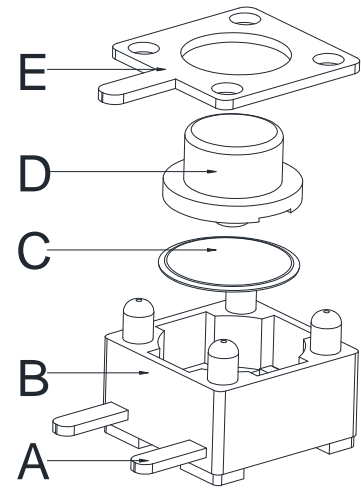
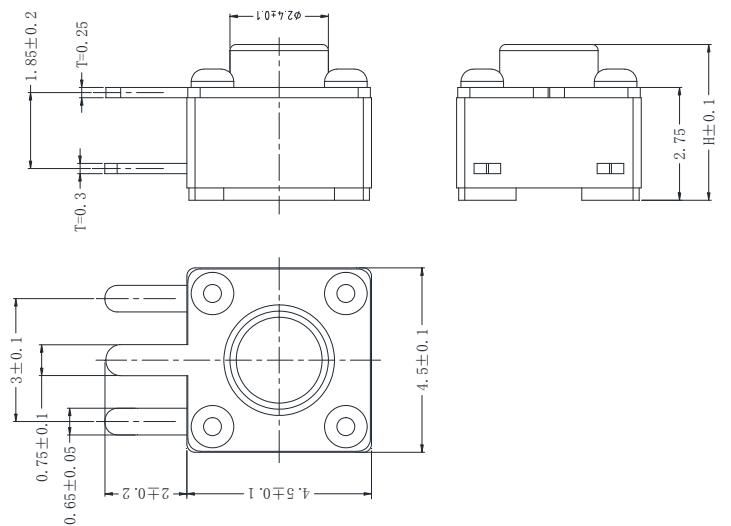


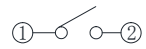
Kinghelm®

RevNo	Revision note	Date	Signature	Checked
-------	---------------	------	-----------	---------

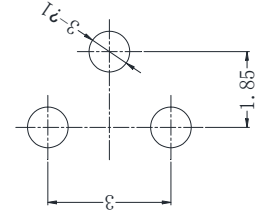


Parameters

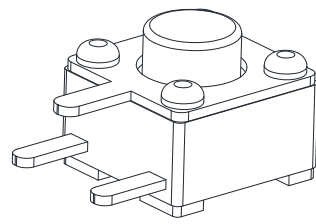
1. Rated Current: 50mA 12V DC
2. Contact Resistance: 100m
3. Actuation Force: 160±30gf/260±50gf
4. Travel: 0.15±0.05mm
5. Insulation Resistance: 100M
6. Dielectric Strength: 100v 50Hz 1Min
7. Lifespan: 50,000 times



Circuit Diagram



PCB Diagram



										First-person Perspective	Scale	Part No.	4.5x4.5 XH Side Pin	
E	Cover	Iron Sheet 0.25	1	Copper-plated tin						General Tolerances	1:1	Product Name	4.5x4.5 Side Pin(2.0)	
D	Plunger	PPA Black	1	Purge						>0.5-2 ± 0.1	Unit			
C	Contact Dome	SS Cover W/ Silver	1		Mark	Count	Changed File No.	Sig.	Date	>2-5 ± 0.2	mm			
B	Base	PPA Black	1	Purge	Designed				Checked	Approved		Shenzhen Kinghelm Electronics Co., Ltd	www.kinghelm.net	
A	Contact	Brass 0.3	1	Silver-plated								KH-4.5X4.5X7.5H-3J	0755-28190160	
SN	Item	Material	Qty.	Note										