

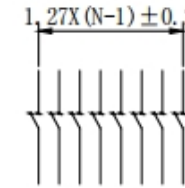
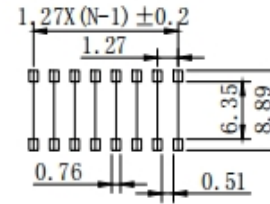
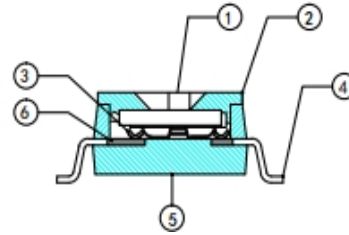
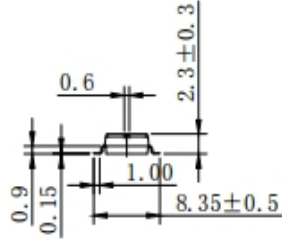
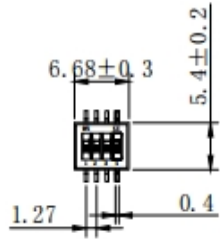
Unit of Measurement: MM

Push Type

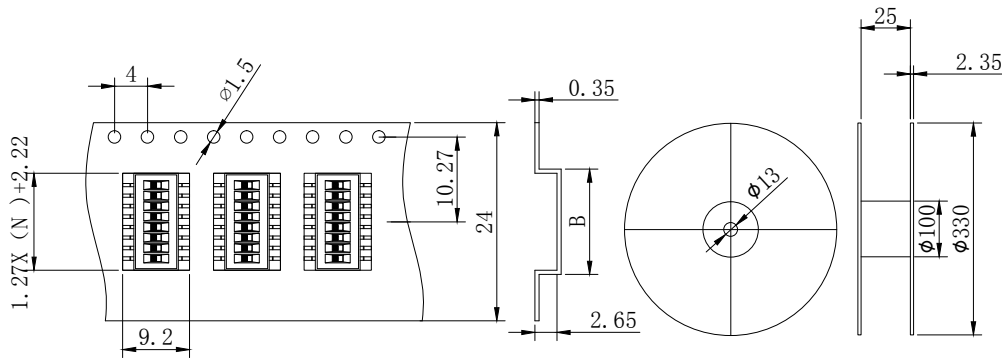
Internal Structure

PCB Layout Unit: MM

Circuit Diagram



Packaging Specification (Tape Reel) (2000 pieces/roll)



Mechanical Performance:

- 1.Operation Force: Max 1000gf
- 2.Operating Temperature: -30°C to +85°C
- 3.Storage Temperature: -40°C to +85°C
- 4.Mechanical Life: Minimum 3000 cycles

Plating Material:

- 1.Contact Area: Gold Plating: 3μ
- 2.Gold-plated Soldering Area: 1μ

Parts Number Description

DSHP XX T S G E T

- [Packing Method: T=Tube R=Reel]
- [Plating Layer: E=Contact area 3u" G=Contact area 3U"/Solder area 1-2u]
- [G=Full Gold Plated S=Inner Gold Outer Tin]
- [Foot Type: S Foot / J Foot / H Foot / A Foot / Z Foot]
- [T=Flat Push Adhesive S=Flat Push No Adhesive L=High Push]
- [Product P Number: 02 03 04 05 06 08 10]

Shenzhen Kinghelm Electronics Co., Ltd

www.kinghelm.net

KH-BM-SMT1.27-4P

0755-28192060

Number	Name	Material	Color	Tolerance		Model: DSHP04TSGER
				Dimensions	Angle	
①	Push Actuator	PA46(UL94 VO)	White	.0 ± 0.25	.0 ± 2°	
②	Top Cover	PCS(UL94 VO)	Black	.00 ± 0.15	.00 ± 1°	
③	Spring Contact	Copper Alloy	3U Gold-Plated	.00 ± 0.10	.00 ± 0.5°	
④	Tin Lead	Bross	1U Gold-Plated			
⑤	Body	PCS(UL94 VO)	Black			
⑥	Contact Area	Bross	3U Gold-Plated	Drawing	Ms. Zhong	