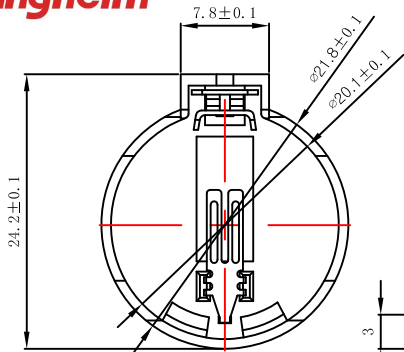
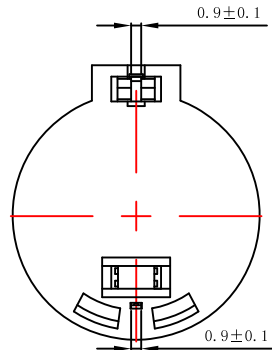
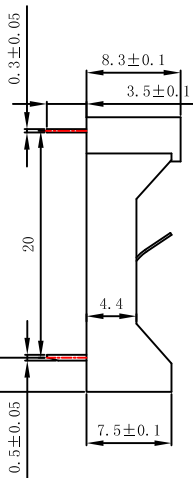


Kinghelm®

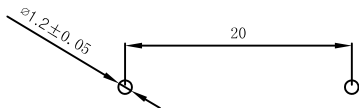



Installation Dimensions



Technical Requirements:

- 1.Appearance: The product surface should be smooth and flawless, with uniform color and good appearance, free from obvious dents, burrs, material shortages, silver threads, welding marks, and other defects.
- 2.Material: PBT
- 3.Color: Black
- 4.Surface: Clean and free from stains.
- 5.Dimensions: Inspection results should meet the standard requirements of the drawings.



				Shenzhen Kinghelm Electronics Co., Ltd		www.kinghelm.net	
				KH-BS2032T-2-1		0755-28190160	
Mark	Amnt	Change Document Number	Sign	Date		 Unit: mm Pattern Marking Weight Scale Total 1 Page Page 1	
Design			Date				
Proof			Date				
Audit			Date				
						Product Name	
						2032-2-1	