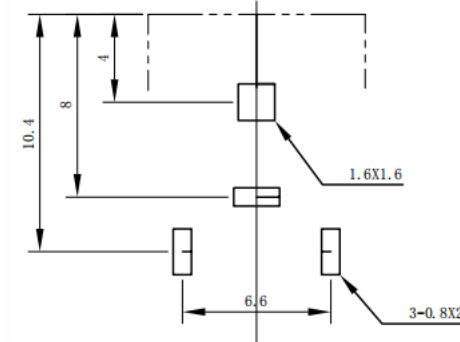
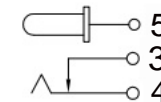


P.C.B. Layout



Schematic Diagram



Technical Performance

1. Rated Load: 30V·1A
2. Contact Resistance: ≤ 0.020 ohms
3. Insulation Resistance: ≥ 100 m
4. Withstand Voltage: AC250V (50Hz) min
5. Insertion Force: 3-15N
6. Service Life: 5,000 cycles

Technical Requirements

1. Unspecified Linear Tolerance
 0.0-10.0mm ± 0.10 mm
 10.0-20.0mm ± 0.15 mm
 20.0-50.0mm ± 0.20 mm
2. Appearance should be good, free from rust, cracks, poor plating, and other defects.

5	Pin	1	H59 Brass Rod	Copper-tin
4	Flat Piece	1	H62 Brass Strip T=0.4	Copper-tin
3	Bent Piece	1	H62 Brass Strip T=0.3	Copper-tin
2	Spring Plate	1	Phosphor Bronze 65	Tin-antimony
1	Base	1	PBT	(Black)
No.	Item	Qty.	Material	Plating

DSN.			Material	Qty.	SCL.	Name	DC-036			
CHK.						No.	KH-DC-036-2.0			
DRW.			Shenzhen Kinghelm Electronics Co.,Ltd				Unit	mm	Page	
APR.										

Changed Mark

Changed No.

Sig.