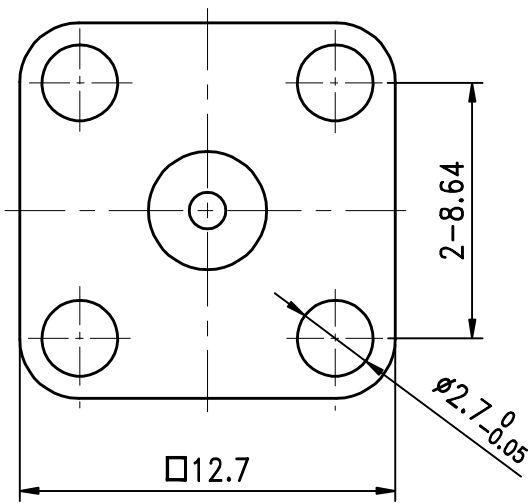


A Direction



Technical Specifications:

1. During assembly, the product appearance must not be damaged, and the dimensions of the mouth should conform to those shown in the diagram.

3	Shell	1	Gold Plating
2	Insulator	1	
1	Socket	1	Gold Plating
No.	Name	Amt.	Remark

					SMA-KFD-L15.5	Drawing No.	KH-FLSMA-KB15.5		
							Socket Connector	Stage Marker	Quality
Remark	Amt.	Change Document Number	Sign	Date					
Design									
Audit									
Technology									
					Page 1		Total 1 Page		
Standardization					Shenzhen Kinghelm Electronics Co., Ltd				
Approve					www.kinghelm.net				