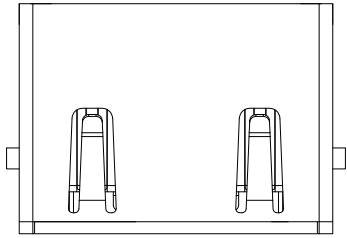
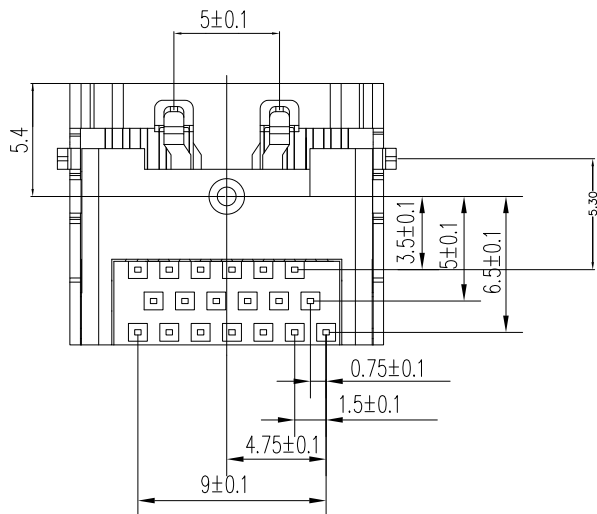
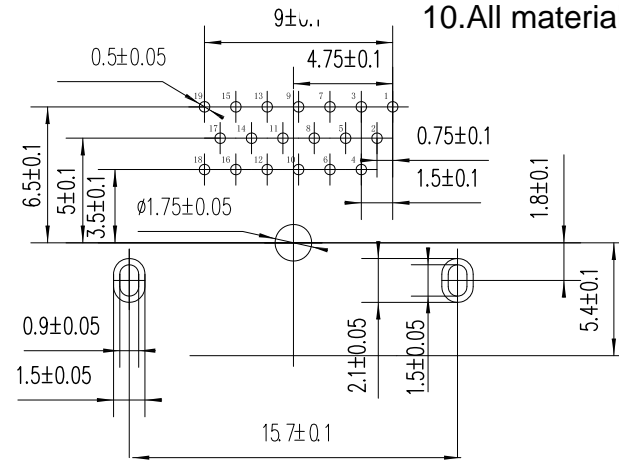
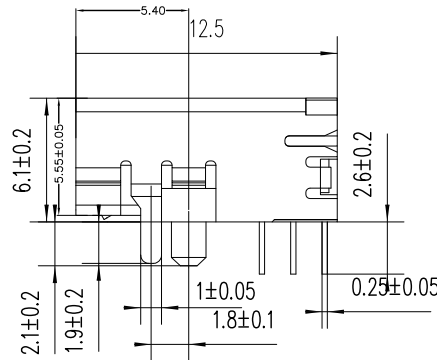
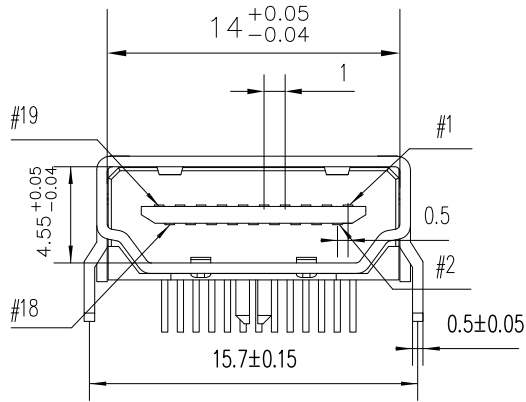


Change Order Number	Version	Date	Description of Change	Change	Checked	Approval
	A/0					



Specifications :

- 1.Insertion Force: 44.1N max
- 2.Extraction Force: 7~25N
- 3.Durability: 10000 cycles min
- 4.Rated Current: 0.5A
- 5.Rated Voltage: 40V max
- 6.Dielectric withstand voltage:
500V AC min (unmated)
300V AC min (mated)
- 7.Contact impedance: 300m max
- 8.Insulation resistance:
100M min (unmated)
10M min (mated)
- 9.Operating temp.: -20°C~85°C
- 10.All material meet RoHS standard



Shenzhen Kinghelm Electronics Co., Ltd				www.kinghelm.com.cn			
KH-HDMI-0007				0755-28190160			
Design		Checked		Approval	Product name:		HDMI-0007
Date	16.01.06	Date	16.01.08	Date	16.01.08	Part number:	
Customer name:			Customer code:				
Not Specified Tolerance				Scale	1:1	Unit	mm
				Page	1:1	A4	