

# Kinghelm®

REV.	Description	Name	Date
A	News Issue	LXH	2018/01/18

## Specification

### 1. Material:

Rubber Core: LCP, UL94V-0;

Color: black

Terminal: C2680

Shell: SPCC/C2680

### 2. Plating:

Terminal: contact area gold-plated

solder area fogging tin 100u" min

all areas nickel bottom 50u" min

Shell: surface nickel-plated 100u" min

### 3. Electricity:

Insulation Impedance(EIA-364-21):

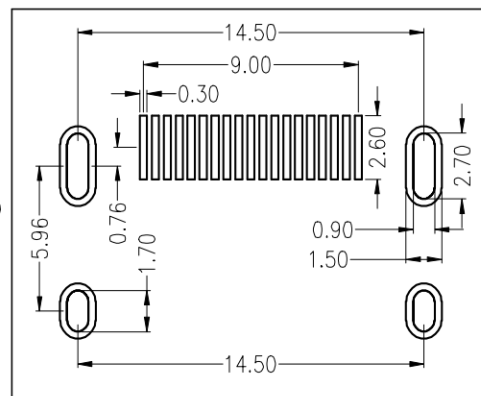
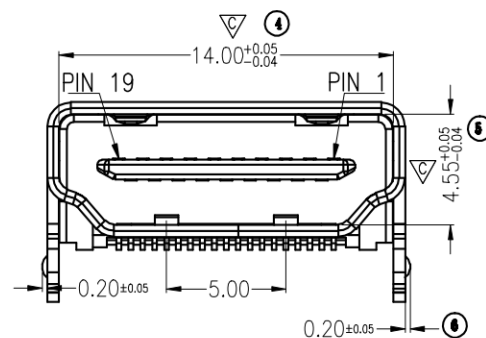
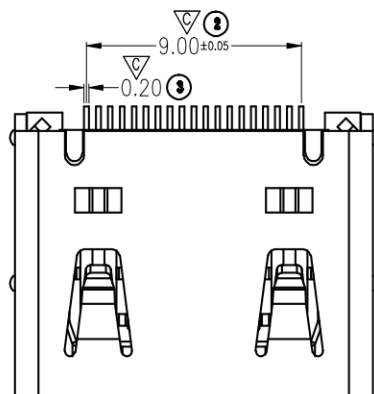
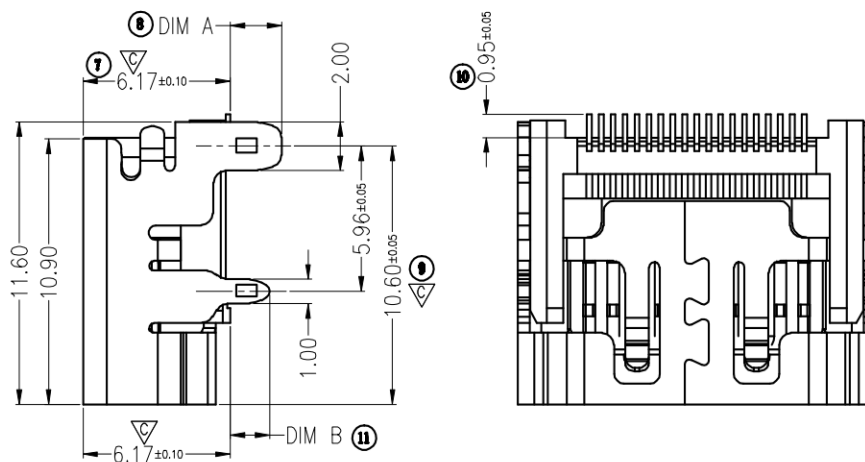
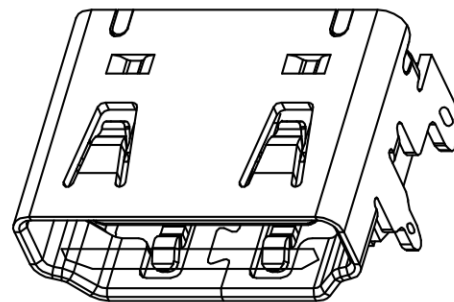
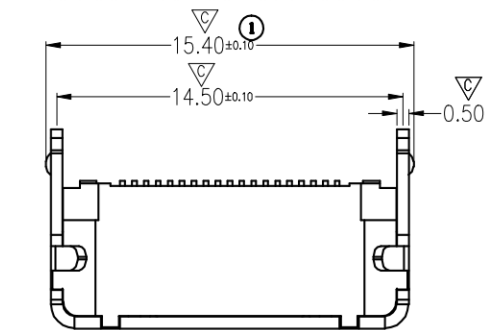
100 MΩ min AT 500V/DC for 1 minute

Contact Resistance(EIA-364-06): 30 mΩ max

Withstand Voltage (EIA-364-20):

no discharge, flashover or breakdown

AT 500 V/AC 1 minute



RECOMMENDED P.C.B HOLE LAYOUT  
COMPONENT SIDE VIEW(TOLERANCE: +/-0.05)

Tolerance Unspecified .0 ±0.35 .00 ±0.25 .000 ±0.15 X.° ±2.00° Customer Drawing	Shenzhen Kinghelm Electronics Co., Ltd		www.kinghelm.net		
	KH-HDMI-19P-CU		0755-83044319		
	Title: HDMI Connector-Type A				
Drawn Date	LXH	2018/01/18	Size: A4	Unit: mm	Part.No: HAXX-N1XX-X1-1
Checked Date	LCY	2018/01/18	Scale: 1:1	Projection	REV.: A
Approved Date	LCY	2018/01/18	DWG Path	C00-0000-0024	Path 1/3