



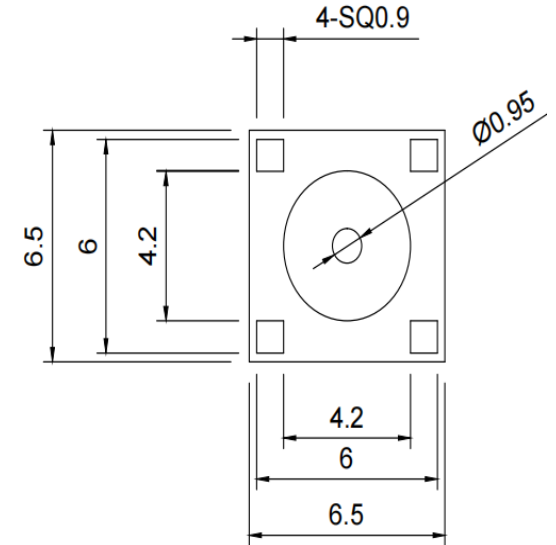
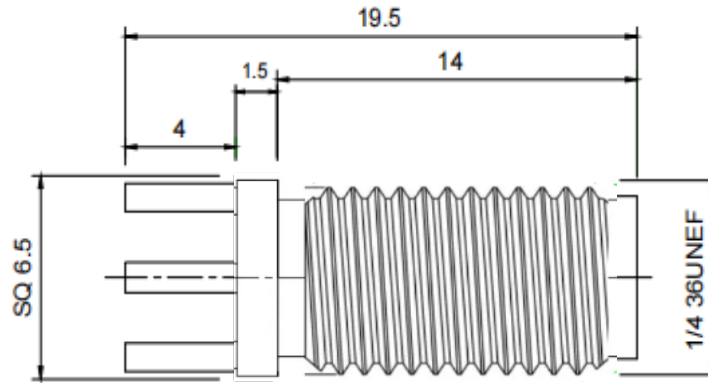
Rev	Edited Content	Editor	Date

Material Requirements:

- 1.Shell: Brass Plated With Gold
- 2.Insulator: PTFE
- 3.Sockets: (HPb59-1) Gold Plated

Technical Requirements:

- 1.Tolerances unspecified as per ± 0.2
- 2.The plating should be uniform, smooth, free from stains, and scratches.
- 3.The materials must comply with RoHS requirements.



Description/ Part No.:	SMAKE-14	Shenzhen Kinghelm Electronics Co., Ltd	
		www.kinghelm.net	
Customer P/N:		KH-SMA-K513-14G	
		0755-83044319	
Date:	2019.10.22	Drawing:	
Drawing No.:		Audit:	