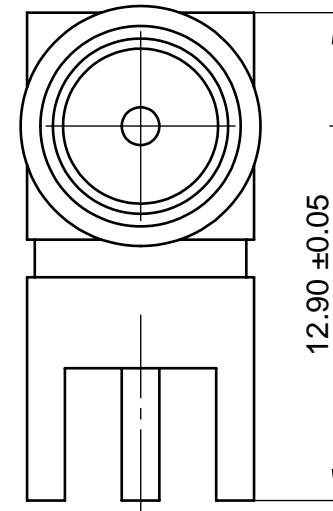


Change			
No.	Rev		
1	E1	None	Sep. 14
No.	Name	Material	Amt.
1	End Sealing		1
2	Pin Insertion	Brass	1
3	Insulator	PTFE	1
4	Insulator	PTFE	1
5	Shell	Brass	1



Untoleranced (All Units Are In mm)	
X.	$\pm 0.5$
.X	$\pm 0.1$
.XX	$\pm 0.05$
X°	$\pm 1^\circ$

Remark	Amt.	Change Document Number	Sign	Date
Design			Standardization	
Proof			Approve	
Audit				
			Date	2020/9/14

**KH-SMA-K513-G48**

**Shenzhen Kinghelm  
Electronics Co., Ltd**

Graphical Symbol	Amt.	Weight	
			5:1
Total 1 Page		Page 1	