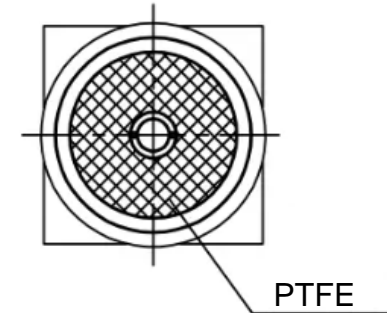
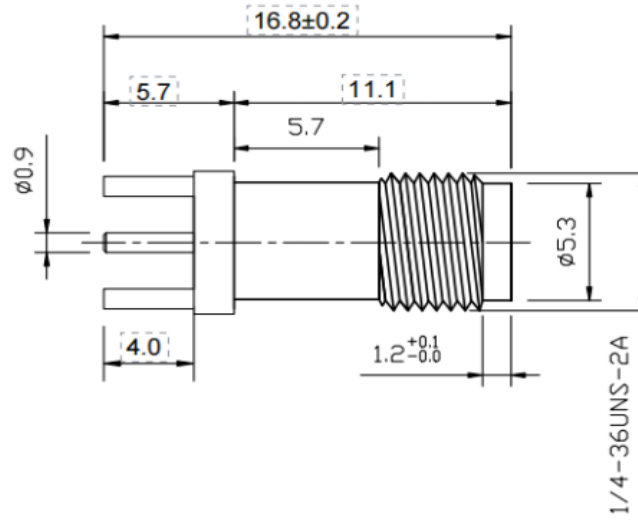
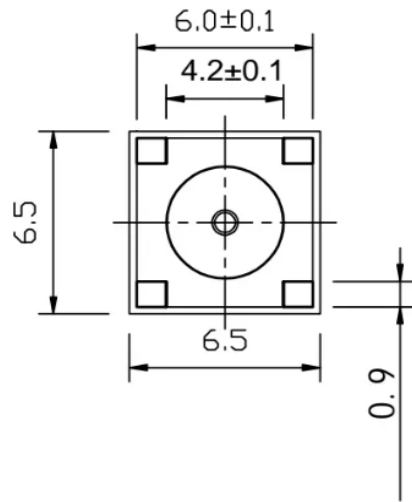


Kinghelm®



Material Requirements:

- 1.Shell: Brass Plated With Gold (HPb59-1)
- 2.Insulator: PTFE
- 3.Pin Sockets: Brass Plated With Gold (HPb59-1)

Technical Requirements:

- 1.Dimensions without specified tolerances to follow " Untoleranced " on the drawing.
- 2.Product surfaces must be free from stains and scratches.
- 3.Internal structure to be manufactured according to 50 standards.
- 4.Materials must comply with environmental protection requirements.

Untoleranced	Draw	Shi Chaoyan	2019.5.2
.X ±0.2	Design	Shi Chaoyan	2019.5.2
.X ±0.1			
.XX ±0.05			
X° ±5°	Check	Wu Guoqiang	2019.5.7
.X° ±3°			
.XX° ±1°	Appro.	Wang Jianzhong	2019.5.9
*For Critical Dimensions			

Shenzhen Kinghelm Electronics Co., Ltd					
www.kinghelm.net					
KH-SMA-KE5.4					
Part No.		GW-JT0501		0755-28190160	
Rev	1.0	No.	1 Of 1	Date	4
Scale	None	Unit	mm	A4	