

A4(297*210mm)

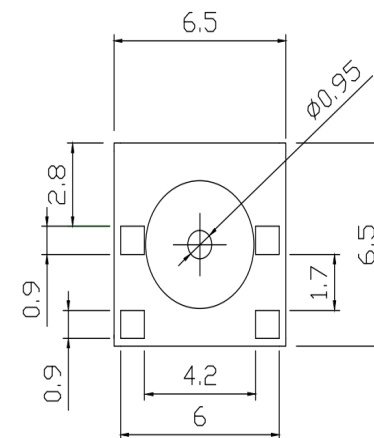
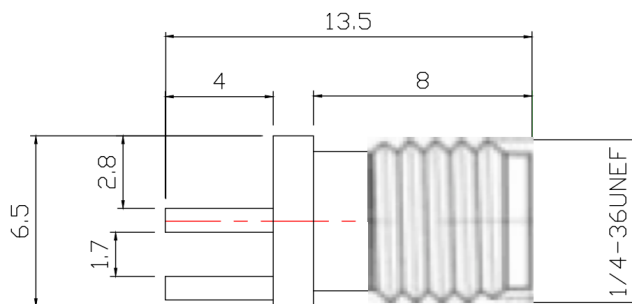
Rev	Edited Content	Editor	Date

Material Requirements:

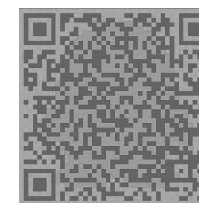
- 1.Shell: Brass Plated With Gold
- 2.Insulator: PTFE
- 3.Sockets: (HPb59-1) Gold Plated

Technical Requirements:

- 1.Tolerances unspecified as per ± 0.2
- 2.The plating should be uniform, smooth, free from stains, and scratches.
- 3.The materials must comply with RoHS requirements.



Technical Inquiry



Model No.:	KH-SMA-KE8-G	Shenzhen Kinghelm Electronics Co., Ltd	
Date:	2019.8.10	Drawing:	
Drawing No.:		Audit:	