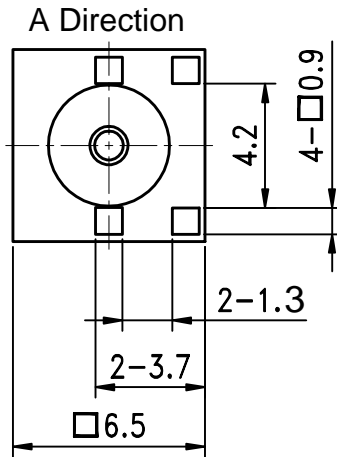


Technical Specifications:

1. During assembly, the product appearance must not be damaged, and the dimensions of the mouth should conform to those shown in the diagram.
2. Untoleranced dimensions are according to IT12 grade.



3	Shell	1	Nickel
2	Insulator	1	
1	Socket	1	Gold Plating
No.	Name	Amt.	Remark

					SMA(R)-KE-L16.5 Pin Connector	Drawing No. KH-SMA-KEB16.5-P1.3			
Remark	Amt.	Change Document Number	Sign	Date			Stage Marker	Quality	Scale
Design					Shenzhen Kinghelm Electronics Co., Ltd	A		4:1	
Audit						Page 1	Total 1 Page		
Technology									
Standardization									
Approve									