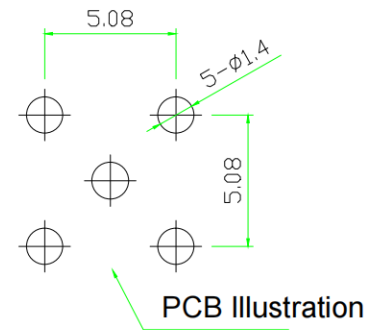
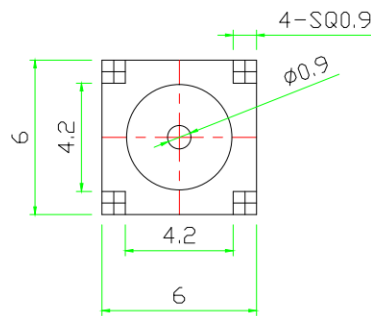
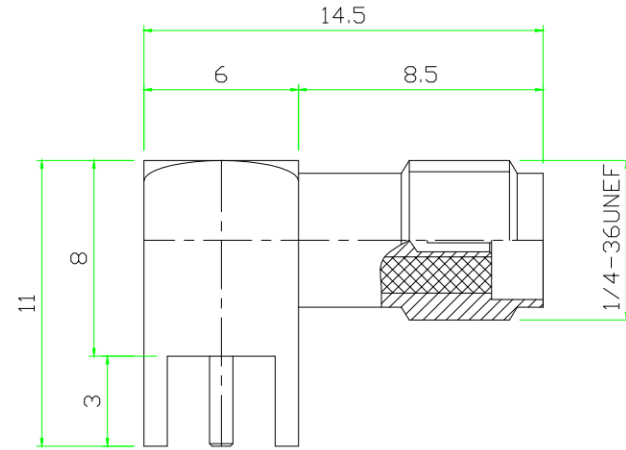


A4(297\*210mm)

Version	Modify Content	Reviser	Date



### Material Requirements

1. Shell: brass with gold plating
2. Insulator: PTFE
3. Socket: (HPb59-1) gold-plated

### Technical Requirements

1. Unspecified tolerances are in accordance with the standard  $\pm 0.2$
2. Uniform plating, smooth, no stains, scratches
3. Materials need to comply with RoHS requirements

Model	KH-SMA-KWE11	Shenzhen Kinghelm Electronics Co., Ltd	
Customer P/N			
Date	2022.09.27	Drawing	
Figure Number		Check	