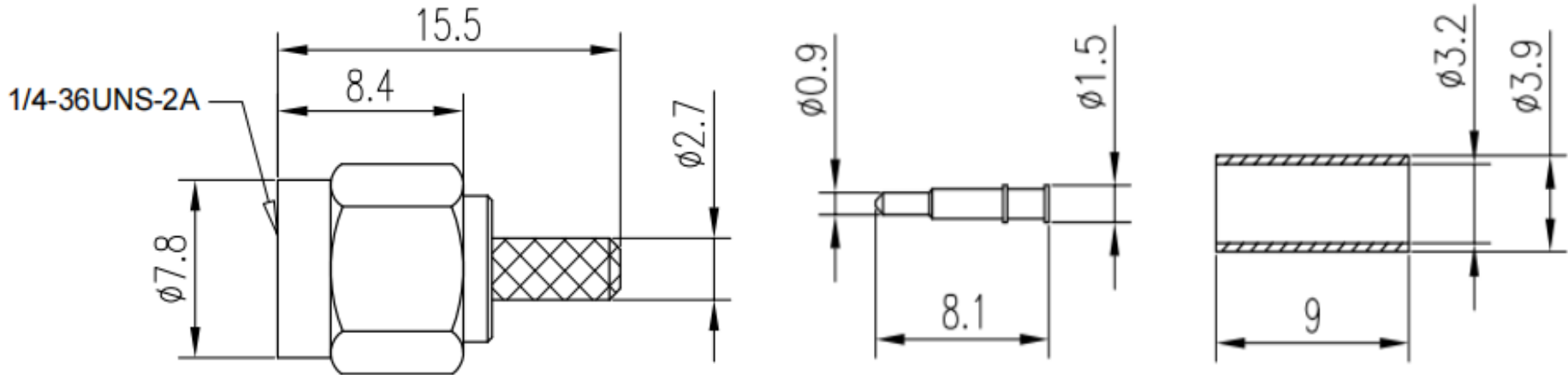


Kinghelm®

Rev	Description	Date	Remark
A	New Drawing		



Technical Requirements:

1. Impedance: 50±2ohm
2. Frequency Range: 0~6GHz
3. VSWR: 1.5 Max
4. Withstand Voltage: 500Vrms
5. Insulation Resistance: 5000ohm Min
6. Operating Temperature Range: - 45 ~ +80

Shenzhen Kinghelm Electronics Co., Ltd

Third Angle		Project	Date			
0 ~ 10	±0.05	Part Name	Designed By			
10 ~ 18	±0.10	Part No.	Checked By	RF		
18 ~ 30	±0.12	Material		MD		
30 ~ 40	±0.15	Technology	Approved By			
40 ~	±0.20		Unit	mm	Scale	
Location				1:1	Rev	A1

No.	Part No.	Name	Specification	Amt.	Remark
1					
2					
3					
4					