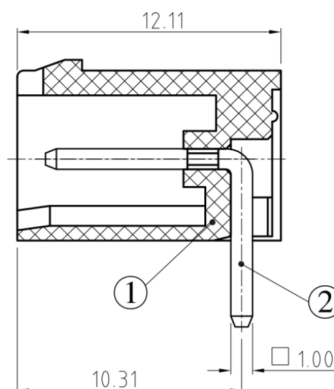
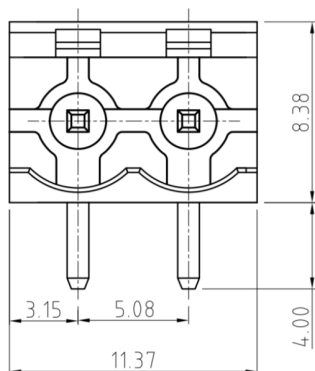


1. Rated Voltage And Current: 300V 12A(CE)
2. Insulating Strength: AC2000V/MIN
3. Insulation Resistance: 500M or more at DC500V
4. Operating Temperature: - 40°C/+105°C
5. Storage Condition: Normal temperature, below 85 per cent humidity, storage period: 1 year

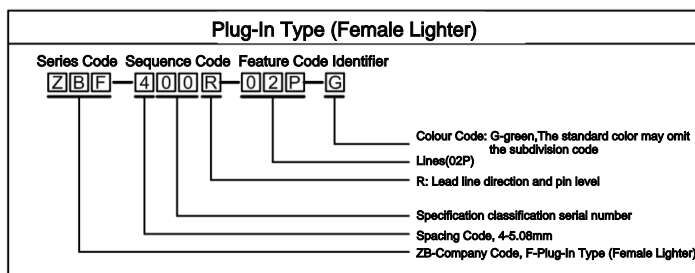
Material And Size



#:Recycling Rate≤30%

NO.	TITLE	MATERIAL	SPECIFICATION
1	HOUSING	PA66(UL94V-0)	YELLOW
2	PIN	BRASS	EP-Cu/Cu1-2 Sn2-4um

Selection



Packaging Bag:

Packaging Size: 20.0x19.0 (cm)

Shenzhen Kinghelm Electronics Co., Ltd	www.kinghelm.net
KH-ZBF4000R-5P-5.08G	0755-83044319