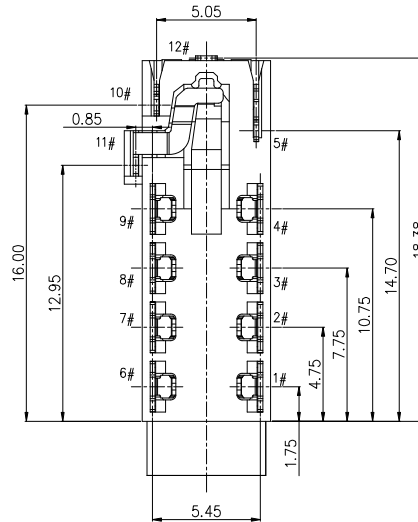
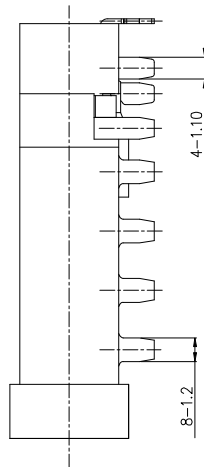
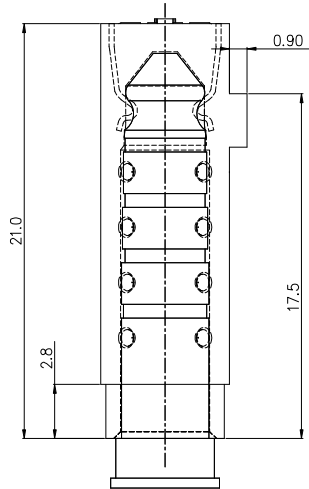
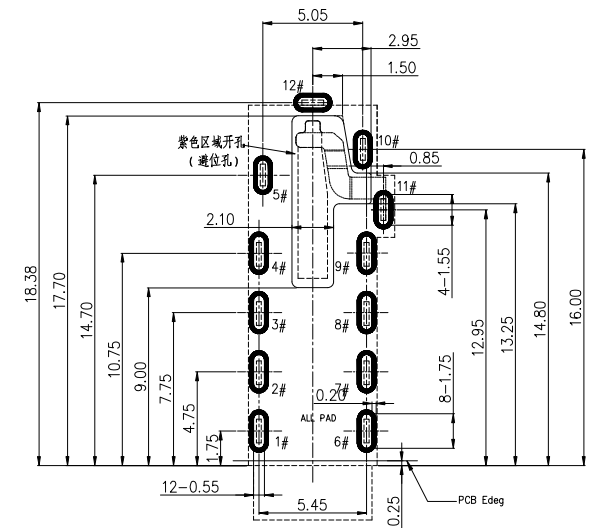


ZONE	EC.N.O.	DESCRIPTION	DRAWING	DATE
A		INITIAL	林生财	2023.11.24

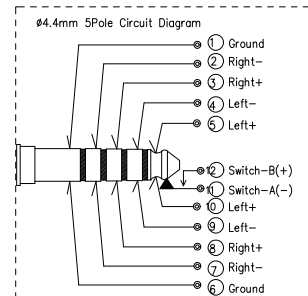
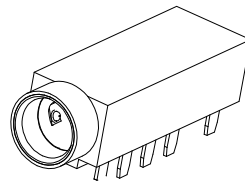
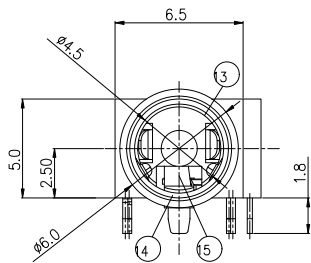


Notes:

- 1.Current Rating: 12V&1A max.
- 2.Contact Resistance: 50mOhms Max.(initial)  
Switch Resistance: 100mOhms Max.(initial)
- 3.Insulation Resistance: 100M Ohms Min./500V DC
- 4.Dielectric Withstanding Voltage: 500V AC/1Minute
- 5.4mm Mating Force: 50N Max, Withdrawal Force: 5N Min.
- 6.Durability: 5,000 Cycles
- 7.Operating Temperature:-25°C to+85°C
- 8.Mate Audio Plug with "JEITA RC-8141C" Standard(Length19.5mm)



RECOMMEND PCB LAYOUT  
TOLERANCE: ±0.05



Item	Name	Material	Description
15	4.4mm Separator	Thermoplastics	Black UL 94-V0
14	4.4mm Housing		
13	4.4mm Sleeve	Copper Alloy	G/F On Contact Area
12	4.4mm Switch-B		&Solder Tails
11	4.4mm Switch-A	Stainless Steel	
5&10	4.4mm Left+	Copper Alloy	Au3u"On Contact Area G/F On Solder Tails Ni Plated Overall.
4&9	4.4mm Left-		
3&8	4.4mm Right+		
2&7	4.4mm Right-		
1&6	4.4mm GND		

深圳市金航标电子有限公司

WWW.KINGHELM.COM.CN  
0755-28190160

DRAWING:	林生财	DATE:	2023.11.24	SCALE	1:1
CHECK:	李宏鑫	DATE:	2023.11.24	MATERIAL	*
APPROVAL:	杨进宝	DATE:	2023.11.24	DWG. NO.	
DRAWING NO.	KH-PJ-44002-12DBAP-A			SHEET	1/1

SHENZHEN KINGHELM ELECTRON CO.,LTD.	TOLERANCE UNLESS	0.0±0.25	0.1±2'	UNIT: mm	
	OTHERWISE SPECIFIED:	0.00±0.15 0.000±0.05	0.0'±1' 0.00'±0.5'		

PART NAME Slim 4.4mm 5Pole Audio Jack 12Pin(CH2.5mm)