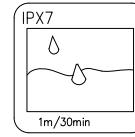
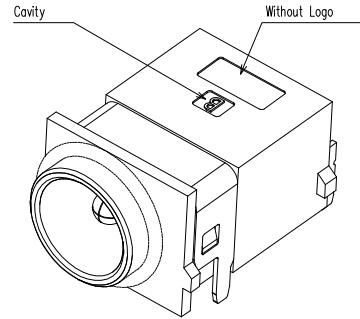
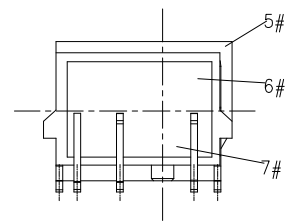
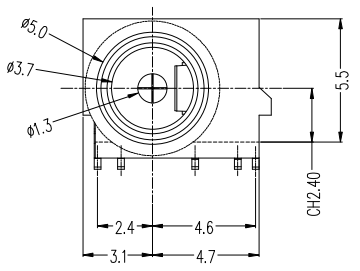


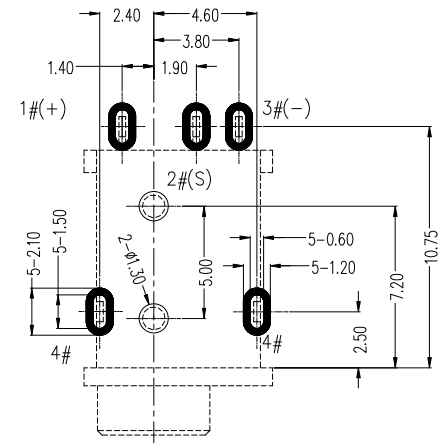
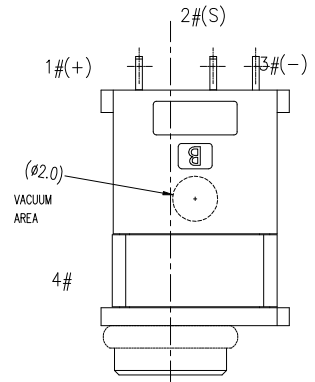
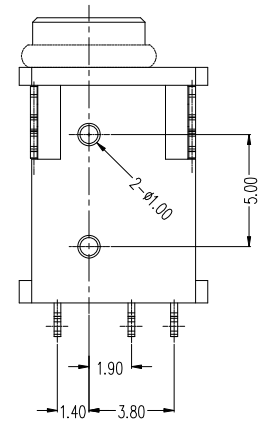
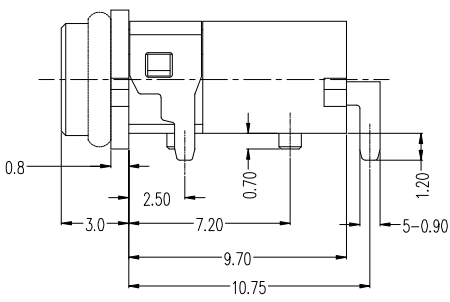
ZONE	ECN.N.O.	DESCRIPTION	DRAWING	DATE
A		INITIAL	林生財	2020.02.18



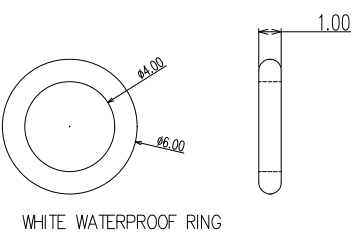
- NOTES
- CURRENT RATING: 24V & 3A MAX.
 - CONTACT RESISTANCE: 50mΩ MAX.
 - INSULATION RESISTANCE: 100MΩ MIN.
 - DIELECTRIC WITHSTANDING: 500V AC MIN.
 - DURABILITY: 5000 CYCLES MIN.
 - CONNECTOR MATING FORCES: 3N MIN.
 - CONNECTOR UNMATING FORCES: 35N MAX.
 - OPERATING TEMPERATURE: -25°C TO +85°C.
 - WATER PROOFNESS: THIS PRODUCT IS BASED ON IPX7.



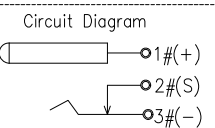
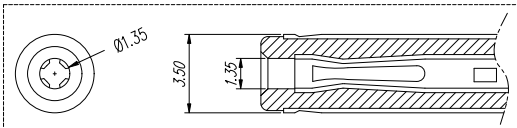
3D VIEW



PCB LAYOUT (TOP VIEW)
TOLERANCE: ±0.05



Not to install the waterproof ring shipment



NO.	DESCRIPTION	MATERIAL	REMARKS	QTY
8	WATERPROOF RING	SILICONE	WHITE	1
7	GLUE	EPOXY	COLOR BLACK	1
6	BACK COVER	HIGH TEMPERATURE	COLOR BLACK	1
5	HOUSING	HIGH TEMPERATURE	COLOR BLACK	1
4	TERMINAL 4#	STAINLESS STEEL	NICKEL PLATING OVERALL	1
3	TERMINAL 3#	COPPER ALLOY	NICKEL UNDERPLATING OVERALL, Au PLATING ON THE SOLDER AREA	1
2	TERMINAL 2#	COPPER ALLOY	NICKEL UNDERPLATING OVERALL, Au PLATING ON THE WHOLE	1
1	CENTER PIN	COPPER ALLOY	NICKEL UNDERPLATING OVERALL, Au PLATING ON THE SOLDER AREA	1

深圳市金航标电子有限公司

WWW.KINGHELM.COM.CN
0755-28190160

SHENZHEN KINGHELM ELECTRON CO.,LTD.

TOLERANCE UNLESS OTHERWISE SPECIFIED:	0.0±0.25 0.00±0.20 0.000±0.10	0.1±2° 0.0'±1'	UNIT: mm	
---------------------------------------	-------------------------------------	-------------------	----------	--

DRAWING:	林生財	DATE:	2020.02.18	SCALE:	1:1
CHECK:	李宏鑫	DATE:	2020.02.18	MATERIAL:	*
APPROVAL:	蔡进宝	DATE:	2020.02.18	DWG. NO.:	
DRAWING NO.:	KH-FSDC-30002-05DBAP-A			SHEET:	1/1

PART NAME Ø1.3 DC WATERPROOF POWER JACK