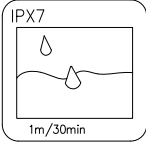
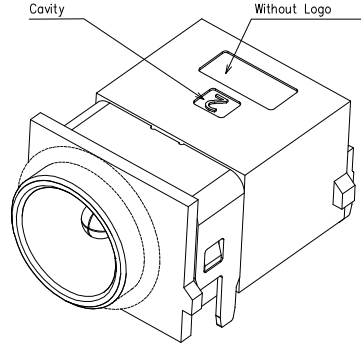


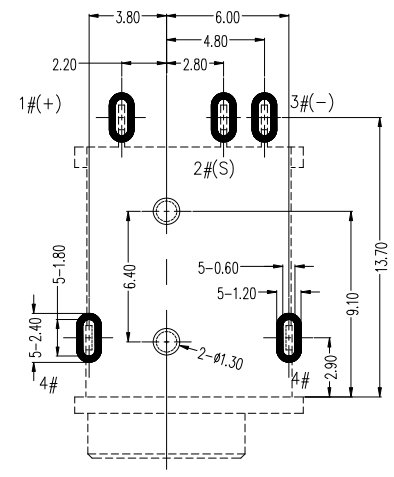
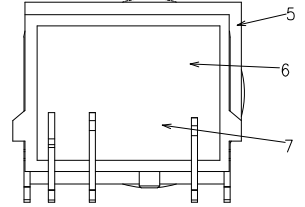
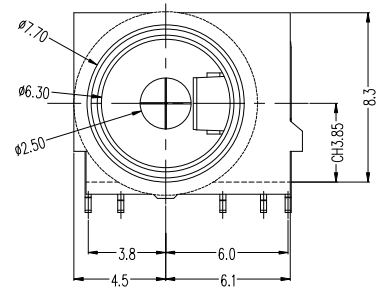
ZONE	ECN.N.O.	DESCRIPTION	DRAWING	DATE
A		INITIAL	林生财	2020.02.18



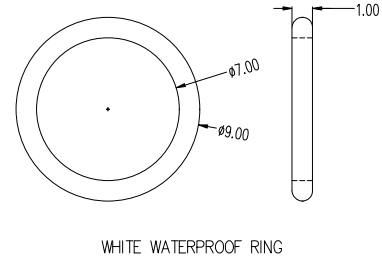
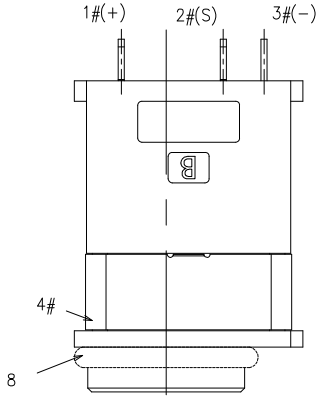
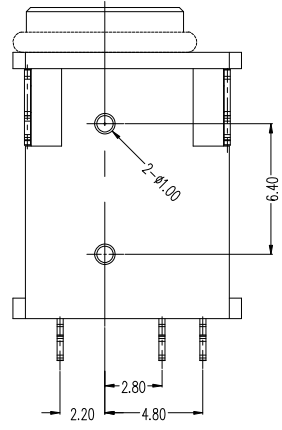
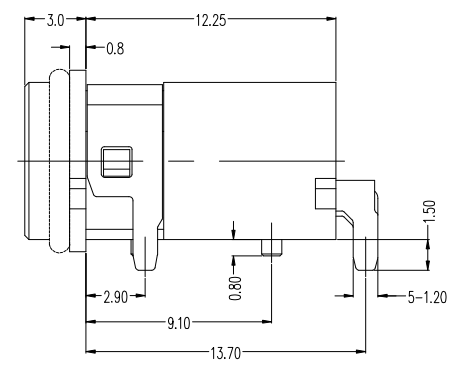
- NOTES
- 1.Current Rating: 24V & 5A Max.
 - 2.Contact Resistance: 50m Ohms Max.(initial)
 - 3.Insulation Resistance: 100M Ohms Min./500V DC
 - 4.Dielectric Withstanding Voltage: 500V AC/1Minute
 - 5.Mating Force: 35N Max, Withdrawal Force: 3N Min.
 - 6.Durability: 5,000 Cycles
 - 7.Operating Temperature: -25°C to+85°C
 8. WATER PROOFNESS: THIS PRODUCT IS BASED ON IPX7.



3D VIEW

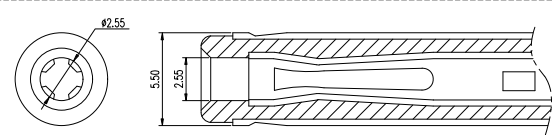


PCB LAYOUT (TOP VIEW)
TOLERANCE: ±0.05

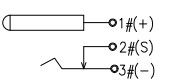


WHITE WATERPROOF RING

Not to install the waterproof ring shipment



Circuit Diagram



NO.	DESCRIPTION	MATERIAL	REMARKS	QTY
8	WATERPROOF RING	SILICONE	WHITE	1
7	GLUE	EPOXY	COLOR BLACK	1
6	BACK COVER	HIGH TEMPERATURE	COLOR BLACK	1
5	HOUSING	HIGH TEMPERATURE	COLOR BLACK	1
4	TERMINAL 4#	STAINLESS STEEL	NICKEL PLATING OVERALL	1
3	TERMINAL 3#	COPPER ALLOY	NICKEL UNDERPLATING OVERALL, Au PLATING ON THE SOLDER AREA	1
2	TERMINAL 2#	COPPER ALLOY	NICKEL UNDERPLATING OVERALL, Au PLATING ON THE WHOLE	1
1	CENTER PIN	COPPER ALLOY	NICKEL UNDERPLATING OVERALL, Au PLATING ON THE SOLDER AREA	1

深圳市金航标电子有限公司 SHENZHEN KINGHELM ELECTRON CO.,LTD.		WWW.KINGHELM.COM.CN 0755-28190160		DRAWING: 林生财	DATE: 2020.02.18	SCALE: 1:1
PART NAME: Ø2.5 DC WATERPROOF POWER JACK		TOLERANCE UNLESS OTHERWISE SPECIFIED:	0.0±0.30 0.00±0.20 0.000±0.10	0.1±2° 0.0°±1° 0.00±0.5°	CHECK: 李宏鑫	DATE: 2020.02.18
		UNIT: mm		APPROVAL: 杨进宝	DATE: 2020.02.18	MATERIAL: *
				DRAWING NO. KH-FSDC-30006-05DBAP-A	DWG. NO.	SHEET 1/1