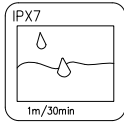
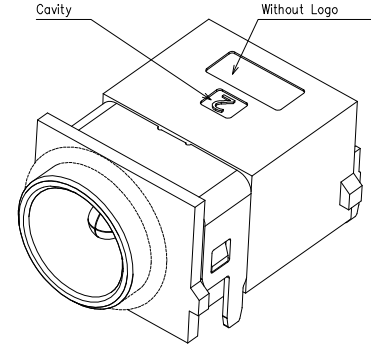


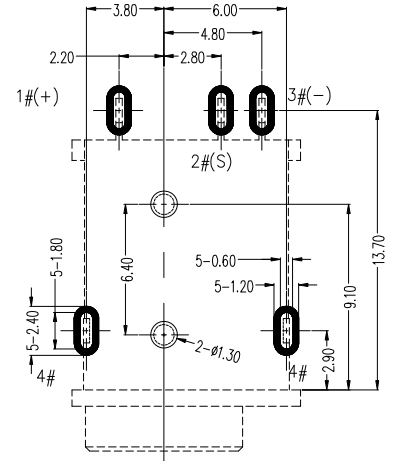
ZONE	ECN.N.O.	DESCRIPTION	DRAWING	DATE
A		INITIAL	林生財	2020.02.18



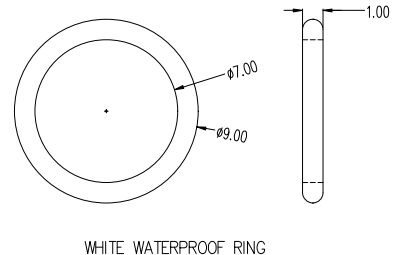
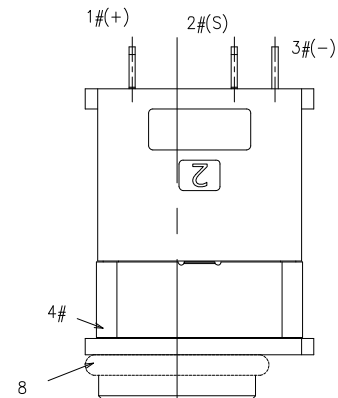
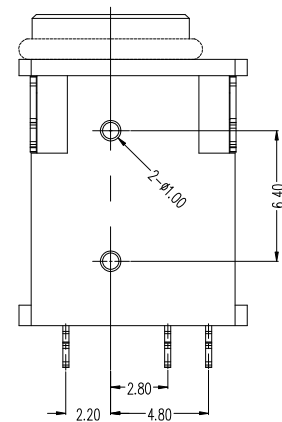
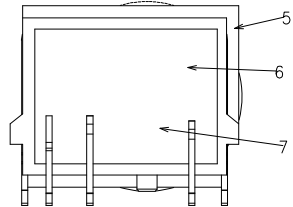
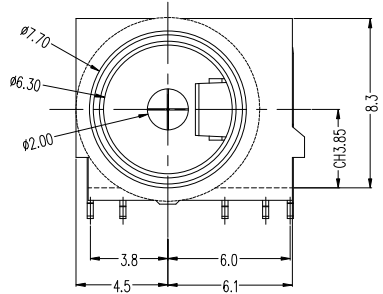
- NOTES
- 1.Current Rating: 24V & 5A Max.
 - 2.Contact Resistance: 50m Ohms Max.(initial)
 - 3.Insulation Resistance: 100M Ohms Min./500V DC
 - 4.Dielectric Withstanding Voltage: 500V AC/1Minute
 - 5.Mating Force: 35N Max, Withdrawal Force: 3N Min.
 - 6.Durability: 5,000 Cycles
 - 7.Operating Temperature: -25°C to +85°C
 - 8.WATER PROOFNESS: THIS PRODUCT IS BASED ON IPX7.



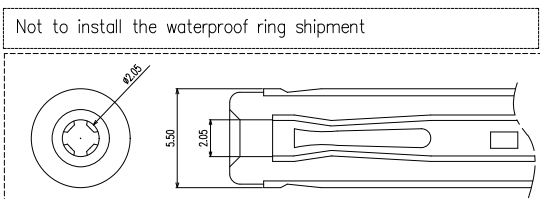
3D VIEW



PCB LAYOUT (TOP VIEW)
TOLERANCE: ±0.05

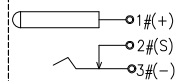


WHITE WATERPROOF RING



Not to install the waterproof ring shipment

Circuit Diagram



NO.	DESCRIPTION	MATERIAL	REMARKS	QTY
8	WATERPROOF RING	SILICONE	WHITE	1
7	GLUE	EPOXY	COLOR BLACK	1
6	BACK COVER	HIGH TEMPERATURE	COLOR BLACK	1
5	HOUSING	HIGH TEMPERATURE	COLOR BLACK	1
4	TERMINAL 4#	STAINLESS STEEL	NICKEL PLATING OVERALL	1
3	TERMINAL 3#	COPPER ALLOY	NICKEL UNDERPLATING OVERALL, Au PLATING ON THE SOLDER AREA	1
2	TERMINAL 2#	COPPER ALLOY	NICKEL UNDERPLATING OVERALL, Au PLATING ON THE WHOLE	1
1	CENTER PIN	COPPER ALLOY	NICKEL UNDERPLATING OVERALL, Au PLATING ON THE SOLDER AREA	1

深圳市金航标电子有限公司

WWW.KINGHELM.COM.CN
0755-28190160

DRAWING:	林生財	DATE:	2020.02.18	SCALE:	1:1
CHECK:	李宏鑫	DATE:	2020.02.18	MATERIAL:	*
APPROVAL:	杨进宝	DATE:	2020.02.18	DWG. NO.:	
DRAWING NO.:	KH-FSDC-30007-05DBAP-A			SHEET:	1/1

SHENZHEN KINGHELM ELECTRON CO.,LTD.
PART NAME: Ø2.0 DC WATERPROOF POWER JACK

TOLERANCE UNLESS OTHERWISE SPECIFIED:	0.0±0.30 0.00±0.20 0.000±0.10	0.1±2° 0.0°±1° 0.00±0.5°	UNIT: mm
---------------------------------------	-------------------------------------	--------------------------------	----------