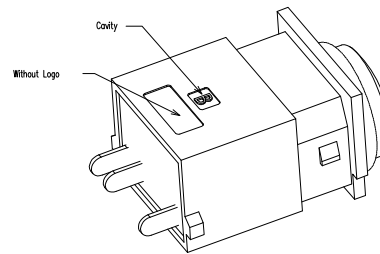
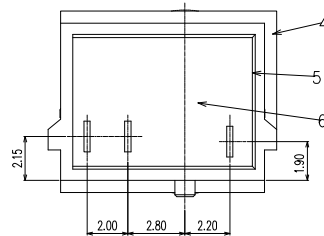
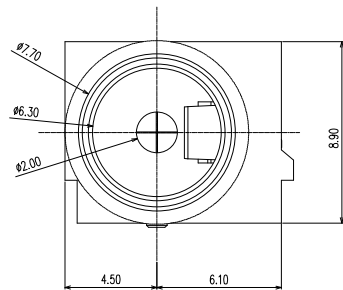


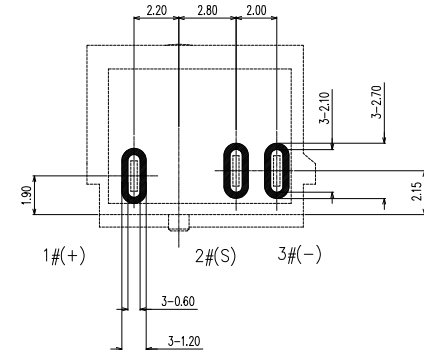
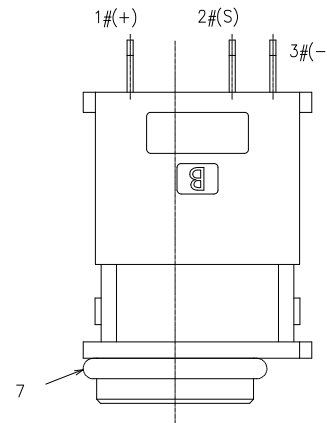
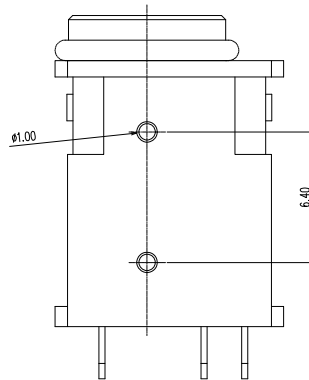
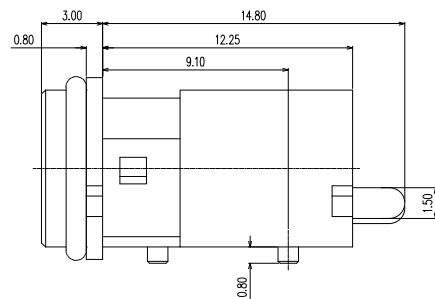
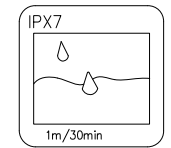
| | | | | |
|------|----------|-------------|---------|------------|
| ZONE | ECN.N.O. | DESCRIPTION | DRAWING | DATE |
| A | | INITIAL | 林生財 | 2020.02.18 |



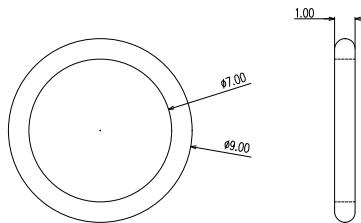
3D VIEW

NOTES

- CURRENT RATING: 24V & 5A MAX.
- CONTACT RESISTANCE: 50mΩ MAX.
- INSULATION RESISTANCE: 100MΩ MIN.
- DIELECTRIC WITHSTANDING: 500V AC MIN.
- DURABILITY: 5000 CYCLES MIN.
- CONNECTOR MATING FORCES: 3N MIN.
- CONNECTOR UNMATING FORCES: 35N MAX.
- OPERATING TEMPERATURE: -25°C TO +85°C.
- WATER PROOFNESS: THIS PRODUCT IS BASED ON IPX7.

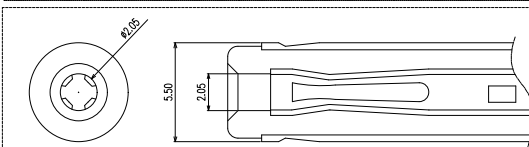


PCB LAYOUT (TOP VIEW)
TOLERANCE: ±0.05

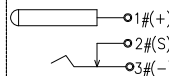


WHITE WATERPROOF RING

Not to install the waterproof ring shipment



Circuit Diagram



| 7 | WATERPROOF RING | SILICONE | WHITE | 1 |
|-----|-----------------|------------------|--|-----|
| 6 | GLUE | EPOXY | COLOR BLACK | 1 |
| 5 | BACK COVER | HIGH TEMPERATURE | COLOR BLACK | 1 |
| 4 | HOUSING | HIGH TEMPERATURE | COLOR BLACK | 1 |
| 3 | TERMINAL 3# | COPPER ALLOY | NICKEL UNDERPLATING OVERALL, Au PLATING ON THE SOLDER AREA | 1 |
| 2 | TERMINAL 2# | COPPER ALLOY | NICKEL UNDERPLATING OVERALL, Au PLATING ON THE WHOLE | 1 |
| 1 | CENTER PIN 1# | COPPER ALLOY | NICKEL UNDERPLATING OVERALL, Au PLATING ON THE SOLDER AREA | 1 |
| NO. | DESCRIPTION | MATERIAL | REMARKS | QTY |

深圳市金航标电子有限公司

WWW.KINGHELM.COM.CN

0755-28190160

DRAWING: 林生財 DATE: 2020.02.18 SCALE: 1:1

CHECK: 李宏鑫 DATE: 2020.02.18 MATERIAL: *

APPROVAL: 杨进宝 DATE: 2020.02.18 DWG. NO.:

DRAWING NO. KH-FSDC-30008-03DBAP-A SHEET 1/1

SHENZHEN KINGHELM ELECTRON CO.,LTD.
PART NAME 02.0 DC WATERPROOF POWER JACK

TOLERANCE UNLESS OTHERWISE SPECIFIED:
0.0±0.30
0.00±0.20
0.00±0.10
0.1±2'
0.0'±1'
0.00±0.5'

UNIT: mm

